



USER MANUAL

MGT 2600



All rights reserved. It is prohibited to reproduce this documentation, or any part thereof, without the prior written authorisation of Magma Mekatronik Makine Sanayi ve Ticaret A.Ş.
Magma Mekatronik may modify the information and the images without any prior notice.
Tüm hakları saklıdır. Magma Mekatronik Makine Sanayi ve Ticaret A.Ş.'nin yazılı izni olmaksızın bu dökümanın tamamının yada bir bölümünün kopyalanması yasaktır.
Magma Mekatronik önceden haber vermeksizin bilgilerde ve resimlerde deęişiklik yapılabilir.

ANGLE GRINDER MACHINE

EN

AÇILI TAŞLAMA MAKİNESİ

TR



EN 60745-1

EN 60745-2-3

EN 55014-1

EN 55014-2

EN 61000-3-2

 **CONTENTS**

SAFETY PRECAUTIONS	5
1 TECHNICAL INFORMATION	
1.1 Technical Data	9
2 OPERATION	
2.1 Wheel Guard Installation	10
2.2 Disc Grinding Wheel Assembly	10
2.3 Switch Operation	10
2.4 Operation	11
3 MAINTENANCE AND SERVICE	
3.1 Grinding Wheel	12
3.2 Screw	12
3.3 Carbon Brush	12
3.4 Cleaning	12
3.5 Power Cord	12
4 ANNEX	
4.1 Spare Part List	13

SAFETY PRECAUTIONS

Be Sure To Follow All Safety Rules In This Manual!

Explanation Of Safety Information



- Read all safety warnings and instructions.
- Failure to follow the warnings and instructions may result in electric shock, fire and/or serious injury.
- The term "power tool" in all of the warnings refers to your mains-operated (corded) power tool or battery-operated (cordless) power tool.
- Save all warnings and instructions for future reference.

Work Area Safety



- Keep work area clean and well lit. Cluttered or dark areas invite accidents.
- Do not operate power tools in explosive atmospheres, such as in the presence of flammable liquids, gases or dust. Power tools create sparks which may ignite the dust or fumes.
- Keep children and bystanders away while operating a power tool. Distractions can cause you to lose control.

Electrical Safety



- Power tool plugs must match the outlet. Never modify the plug in any way. Do not use any adapter plugs with earthed (grounded) power tools. Unmodified plugs and matching outlets will reduce risk of electric shock.
- Avoid body contact with earthed or grounded surfaces such as pipes, radiators, ranges and refrigerators. There is an increased risk of electric shock if your body is earthed or grounded.
- Do not expose power tools to rain or wet conditions. Water entering a power tool will increase the risk of electric shock.
- Do not abuse the cord. Never use the cord for carrying, pulling or unplugging the power tool. Keep cord away from heat, oil, sharp edges or moving parts. Damaged or entangled cords increase the risk of electric shock.
- When operating a power tool outdoors, use an extension cord suitable for outdoor use. Use of a cord suitable for outdoor use reduces the risk of electric shock.

Personal Safety



- Stay alert, watch what you are doing and use common sense when operating a power tool. Do not use a power tool while you are tired or under the influence of drugs, alcohol or medication. A moment of inattention while operating power tools may result in serious personal injury.
- Use personal protective equipment. Always wear eye protection. Protective equipment such as dust mask, non-skid safety shoes, hard hat, or hearing protection used for appropriate conditions will reduce personal injuries.
- Prevent unintentional starting. Ensure the switch is in the off-position before connecting to power source and / or battery pack, picking up or carrying the tool. Carrying power tools with your finger on the switch or energizing power tools that have the switch on invites accidents.
- Remove any adjusting key or wrench before turning the power tool on. A wrench or a key left attached to a rotating part of the power tool may result in personal injury.
- Do not overreach. Keep proper footing and balance at all times. This enables better control of the power tool in unexpected situations.
- Dress properly. Do not wear loose clothing or jewelry. Keep your hair, clothing and gloves away from moving parts. Loose clothes, jewelry or long hair can be caught in moving parts.
- If devices are provided for the connection of dust extraction and collection facilities, ensure these are connected and properly used. Use of dust collection can reduce dust-related hazards.

Power Tool Use and Care

- Do not force the power tool. Use the correct power tool for your application. The correct power tool will do the job better and safer at the rate for which it was designed.
- Do not use the power tool if the switch does not turn it on and off. Any power tool that cannot be controlled with the switch is dangerous and must be repaired.
- Disconnect the plug from the power source and/or the battery pack from the power tool before making any adjustments, changing accessories, or storing power tools. Such preventive safety measures reduce the risk of starting the power tool accidentally.
- Store idle power tools out of the reach of children and do not allow persons unfamiliar with the power tool or these instructions to operate the power tool. Power tools are dangerous in the hands of untrained users.
- Maintain power tools. Check for misalignment or binding of moving parts, breakage of parts and any other condition that may affect the power tool's operation. If damaged, have the power tool repaired before use. Many accidents are caused by poorly maintained power tools.
- Keep cutting tools sharp and clean. Properly maintained cutting tools with sharp cutting edges are less likely to bind and are easier to control.
- Use the power tool, accessories and tool bits etc. in accordance with these instructions, taking into account the working conditions and the work to be performed. Use of the power tool for operations different from those intended could result in a hazardous situation.

Service

- Have your power tool serviced by a qualified repair person using only identical replacement parts. This will ensure that the safety of the power tool is maintained.

Safety Warnings
Common for Grinding,
Sanding, Wire Brushing,
and Abrasive Cutting-Off
Operations

**Safety Instruction for Angle Grinders**

- This power tool is intended to function as a grinder, sander, wire brush or cut-off tool. Read all safety warnings, instructions, illustrations and specifications provided with this power tool. Failure to follow all instructions listed below may result in electric shock, fire and/or serious injury.
- Operations such as polishing is not recommended to be performed with this power tool. Operations for which the power tool was not designed may create a hazard and cause personal injury.
- Do not use accessories which are not specifically designed and recommended by the tool manufacturer. Just because the accessory can be attached to your power tool, it does not assure safe operation.
- The security line speed of grinding wheel must be at least 80m/s.
- The outside diameter and the thickness of your accessory must be within the capacity rating of your power tool. Incorrectly sized accessories cannot be adequately guarded or controlled.
- The arbor size of wheels, flanges, backing pads or any other accessory must properly fit the spindle of the power tool. Accessories with arbor holes that do not match the mounting hardware of the power tool will run out of balance, vibrate excessively and may cause loss of control.
- Do not use a damaged accessory. Before each use inspect the accessory such as abrasive wheels for chips and cracks, backing pad for cracks, tear or excess wear, wire brush for loose or cracked wires. If power tool or accessory is dropped, inspect for damage or install an undamaged accessory. After inspecting and installing an accessory, position yourself and bystanders away from the plane of the rotating accessory and run the power tool at maximum no-load speed for one minute. Damaged accessories will normally break apart during this test time.
- Wear personal protective equipment. Depending on application, use face shield, safety goggles or safety glasses. As appropriate, wear dust mask, hearing protectors, gloves and workshop apron capable of stopping small abrasive or work piece fragments. The eye protection must be capable of stopping flying debris generated by various operations. The dust mask or respirator must be capable of filtering particles generated by your operation. Prolonged exposure to high intensity noise may cause hearing loss.

- Keep bystanders a safe distance away from work area. Anyone entering the work area must wear personal protective equipment. Fragments of work piece or of a broken accessory may fly away and cause injury beyond immediate area of operation.
- Hold power tool by insulated gripping surfaces only, when performing an operation where the cutting accessory may contact hidden wiring or its own cord. Cutting accessory contacting a "live" wire may make exposed metal parts of the power tool "live" and shock the operator.
- Position the cord clear of the spinning accessory. If you lose control, the cord may be cut or snagged and your hand or arm may be pulled into the spinning accessory.
- Never lay the power tool down until the accessory has come to a complete stop.
- The spinning accessory may grab the surface and pull the power tool out of your control.
- Do not run the power tool while carrying it at your side. Accidental contact with the spinning accessory could snag your clothing, pulling the accessory into your body.
- Regularly clean the power tool's air vents. The motor's fan will draw the dust inside the housing and excessive accumulation of powdered metal may cause electrical hazards.
- Do not operate the power tool near flammable materials. Sparks could ignite these materials.
- Do not use accessories that require liquid coolants. Using water or other liquid coolants may result in electrocution or shock.

Kickback and Related Warnings



- Maintain a firm grip on the power tool and position your body and arm to allow you to resist kickback forces. Always use auxiliary handle, if provided, for maximum control over kickback or torque reaction during start-up. The operator can control torque reactions or kickback forces, if proper precautions are taken.
- Never place your hand near the rotating accessory. Accessory may kickback over your hand.
- Do not position your body in the area where power tool will move if kickback occurs. Kickback will propel the tool in direction opposite to the wheel's movement at the point of snagging.
- Use special care when working corners, sharp edges etc. Avoid bouncing and snagging the accessory. Corners, sharp edges or bouncing have a tendency to snag the rotating accessory and cause loss of control or kickback.
- Do not attach a saw chain woodcarving blade or toothed saw blade. Such blades create frequent kickback and loss of control.

Safety Warnings Specific for Grinding and Abrasive Cutting-Off Operations:



- Use only wheel types that are recommended for your power tool and the specific guard designed for the selected wheel. Wheels for which the power tool was not designed cannot be adequately guarded and are unsafe.
- The guard must be securely attached to the power tool and positioned for maximum safety, so the least amount of wheel is exposed towards the operator. The guard helps to protect operator from broken wheel fragments and accidental contact with wheel.
- Wheels must be used only for recommended applications. For example: do not grind with the side of cut-off wheel. Abrasive cut-off wheels are intended for peripheral grinding, side forces applied to these wheels may cause them to shatter.
- Always use undamaged wheel flanges that are of correct size and shape for your selected wheel. Proper wheel flanges support the wheel thus reducing the possibility of wheel breakage. Flanges for cut-off wheels may be different from grinding wheel flanges.
- Do not use worn down wheels from larger power tools. Wheel intended for larger power tool is not suitable for the higher speed of a smaller tool and may burst.

Additional Safety Warnings Specific for Abrasive Cutting-Off Operations:



- Do not "jam" the cut-off wheel or apply excessive pressure. Do not attempt to make an excessive depth of cut. Overstressing the wheel increases the loading and susceptibility to twisting or binding of the wheel in the cut and the possibility of kickback or wheel breakage.
- Do not position your body in line with and behind the rotating wheel. When the wheel, at the point of operation, is moving away from your body, the possible kickback may propel the spinning wheel and the power tool directly at you.
- When wheel is binding or when interrupting a cut for any reason, switch off the power tool and hold the power tool motionless until the wheel comes to a complete stop. Never attempt to remove the cut-off wheel from the cut while the wheel is in motion otherwise kickback may occur. Investigate and take corrective action to eliminate the cause of wheel binding.

- Do not restart the cutting operation in the work piece. Let the wheel reach full speed and carefully reenter the cut. The wheel may bind, walk up or kickback if the power tool is restarted in the work piece.
- Support panels or any oversized work piece to minimize the risk of wheel pinching and kickback. Large work pieces tend to sag under their own weight. Supports must be placed under the work piece near the line of cut and near the edge of the work piece on both sides of the wheel.
- Use extra caution when making a “pocket cut” into existing walls or other blind areas. The protruding wheel may cut gas or water pipes, electrical wiring or objects that can cause kickback.

Application

- Equipped with fiber reinforced cymbals grinding wheel is used for cutting stainless steel, pipes or grinding work pieces' fly edges, burrs, weld, etc.; with diamond saw blade for cutting concrete, stone, brick and other building materials and their products.

Explanation Of Safety Symbols

Read the manual



Warning



Double insulation



Wear ear protection



Wear dust mask



Do not dispose of old appliances in the household garbage



Wear eye protection



Keep your hands and feet away from all



TECHNICAL INFORMATION

EN

1.1 Technical Data

TECHNICAL DATA	UNIT	MGT 2600
Model		MGT 2600
Rated Voltage	V	220~240
Rated Frequency	Hz	50/60
Rated Power Input	W	2600
Rated Speed	r/dak	8000
Max Wheel Diameter	mm	180
Net Weight	kg	5.3

OPERATION

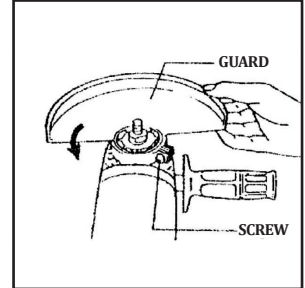
2.1 Wheel Guard Installation



Be sure the power is disconnected before installing or removing wheel guard.

Loosen the fastening screws on the guard, position guard on spindle neck so that the notches on guard line up with the keys on the spindle neck. Then fasten the screw tightly.

When you need to adjust the angle of the guard, you should slightly loosen the screw and rotate guard to desired angle, and then tighten the fastening screws again.



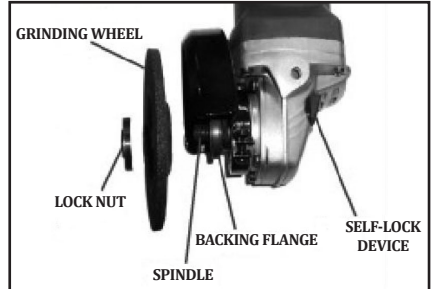
2.2 Disc Grinding Wheel Assembly



Be sure the power is disconnected before installing or removing wheel guard.

Placing **BACKING FLANGE** and **GRINDING WHEEL** on the spindle, then thread on the **LOCK NUT** and tighten **NUT** by wrench while pressing down the **SELF-LOCK DEVICE** to hold the spindle lock in.

TO REMOVE: Reverse procedure.



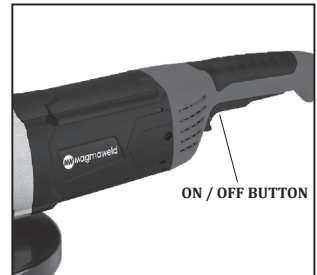
2.3 Switch Operation



Be sure the self-lock device is free before using the appliance.

After switching off, the appliance continued to run on for a few seconds. Wait until the abrading disc has come to a stop before laying the appliance down.

1. Set the On/Off switch to position **(1)** to switch the appliance on.
2. Set the On/Off switch to position **(0)** to switch the appliance off.



2.4 Operation

EN

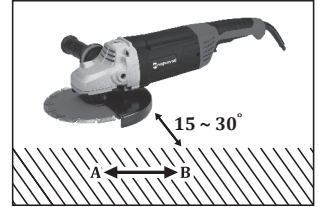


Be sure the power is disconnected before installing or removing wheel guard.

Normally, when grinding, keep a 15° - 30° angle between the wheel and the work piece.

Please Do not operate at the direction at B when using a new grinding wheel. Otherwise, the piece will be cut off.

When the grinding wheel edge turns rounded, you can operate in any direction, both A or B.





MAINTENANCE AND SERVICE

3.1 Grinding Wheel

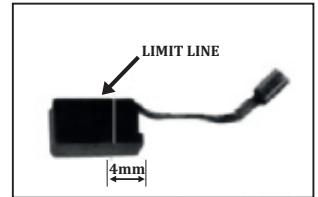
When the grinding wheel wear and tear to the limit or there has been damage, cracks, deformation, or other defect, it should be replaced promptly.

3.2 Screw

Regularly check every parts of the tool whether screw is loose, the loose one should be tightened promptly.

3.3 Carbon Brush

Regularly check and replace carbon brushes. When the carbon brushes wear to the limits, it must be replaced promptly. If there are two carbon brushes, they should be replaced together. Keeping carbon brushes clean and sliding freely within the brush holder.



3.4 Cleaning

The vent must be kept clean and should be cleaned regularly and when it's blocked.

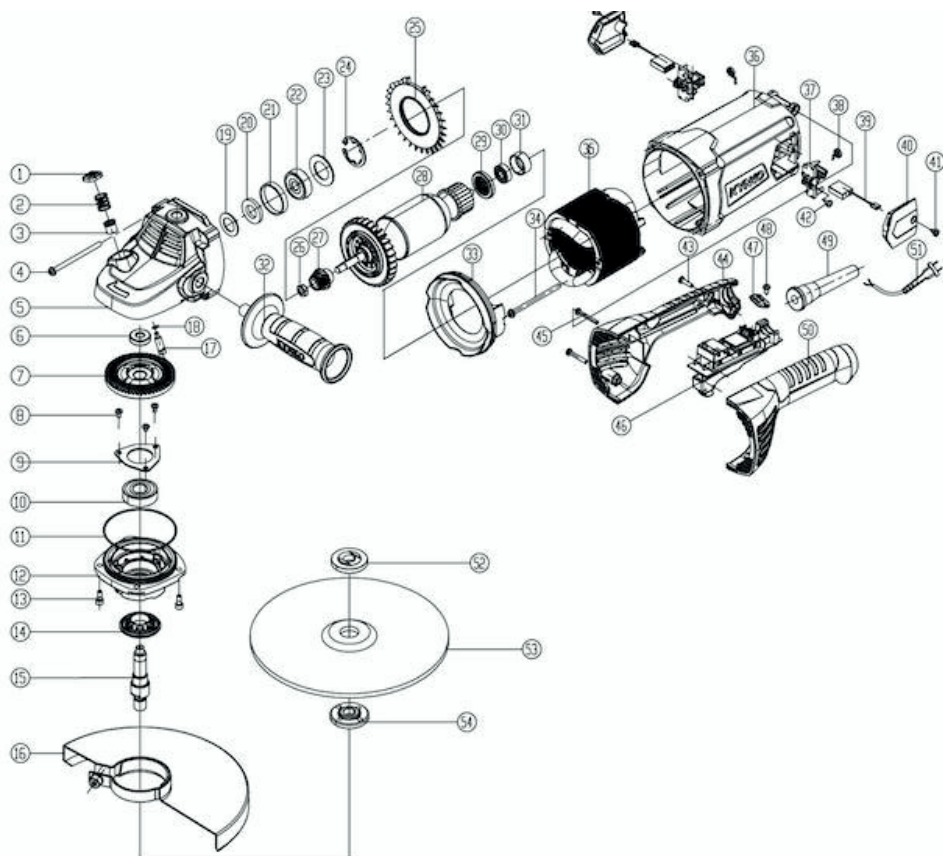
3.5 Power Cord

Regularly check the power cord for scratched, damaged, plug for cracks or other defects, if the problems occur, they should be an immediate repair:

ANNEX

EN

4.1 Spare Part List



4.1 Spare Part List

NO	DEFINITION	MATERIAL CODE
1	Pin Cap	Y832000301
2	Spring	Y832000302
3	Self-Locking Bush	Y832000303
4	Screw	Y832000304
5	Gear Housing	Y832000305
6	609 Bearing	Y832000306
7	Gear	Y832000307
8	Screw	Y832000308
9	Three Hole Retainer	Y832000309
10	6203 Bearing	Y832000310
11	O Ring	Y832000311
12	Front Cover	Y832000312
13	Screw	Y832000313
14	Dust-Proof Sheet	Y832000314
15	Spindle	Y832000315
16	Wheel Guard	Y832000316
17	Self-Locking Pin	Y832000317
18	Self-Locking Pin O Ring	Y832000318
19	Wool Chip Washer	Y832000319
20	Wool Chip	Y832000320
21	Bearing Rubber Ring	Y832000321
22	6300 Bearing	Y832000322
23	Washer	Y832000323
24	Snap Ring	Y832000324
25	Deflector	Y832000325
26	Nut	Y832000326
27	Pinion	Y832000327
28	Armature	Y833000301
29	Dust-Proof Sheet	Y832000328
30	608 Bearing	Y832000329
31	608 Bearing Rubber Sleeve	Y832000330
32	Auxiliary Handle	Y832000331
33	Fan Shroud	Y832000332
34	Screw	Y832000333
35	Stator	Y833000302
36	Stator Housing	Y832000334
37	Brush Holder	Y832000335

NO	DEFINITION	MATERIAL CODE
38	Coil Spring	Y832000336
39	Carbon Brush	Y834000301
40	Brush Cover	Y832000337
41	Screw	Y832000338
42	Screw	Y832000339
43	Screw	Y832000340
44	Right Handle	Y832000341
45	Screw	Y832000342
46	Switch	Y834000302
47	Cord Clip	Y832000343
48	Screw	Y832000344
50	Cord Guard	Y832000345
51	Left Handle	Y832000346
52	Power Cord	Y833000303
53	Inner Flange	Y832000347
54	Outer Flange	Y832000348

 İÇİNDEKİLER

TR

	GÜVENLİK KURALLARI	17
1	TEKNİK BİLGİLER	
1.1	Teknik Özellikler	21
2	KULLANIM BİLGİLERİ	
2.1	Disk Koruması Montajı	22
2.2	Disk Taşlama Çarkı Montajı	22
2.3	Anahtar İşlemi	22
2.4	Çalıştırma	23
3	BAKIM VE ARIZA BİLGİLERİ	
3.1	Taşlama Çarkı	24
3.2	Vida	24
3.3	Karbon Fırça	24
3.4	Temizlik	24
3.5	Güç Kablosu	24
4	EKLER	
4.1	Yedek Parça Listesi	25

GUVENLIK KURALLARI

Kılavuzda Yer Alan Tüm Güvenlik Kurallarına Uyun!

TR

Güvenlik Bilgilerinin Tanımlanması



- Tüm güvenlik uyarılarını ve talimatlarını okuyun.
- Uyarılara ve talimatlara uyulmaması elektrik çarpmasına, yangına ve / veya ciddi yaralanmaya neden olabilir.
- Tüm uyarılardaki "elektrikli alet" terimi, elektrik şebekesiyle çalışan (kablolu) elektrikli aletinizi veya pille çalışan (kablolu) elektrikli aletinizi ifade eder.
- Gelecekte başvurmak için tüm uyarıları ve talimatları saklayın.

Çalışma Alanı Güvenliği



- Çalışma alanını temiz tutun ve iyi aydınlatılmış olmasını sağlayın. Dağınık veya karanlık alanlar kazalara davetiye çıkarır.
- Elektrikli aletleri yanıcı sıvılar, gazlar veya tozlar bulunan yerler gibi patlayıcı ortamlarda çalıştırmayın. Elektrikli aletler, tozu veya dumanı tutuşturabilecek kıvılcımlar oluşturur.
- Elektrikli aleti çalıştırırken çocukları ve etraftaki kişileri uzak tutun. Dikkatinizin dağılması, kontrolü kaybetmenize neden olabilir.

Elektrik Güvenliği



- Elektrikli aleti, fişine uygun bir prizde kullanın. Fişi hiçbir şekilde değiştirmeyin. Topraklı (topraklı) elektrikli aletlerle herhangi bir adaptör fişi kullanmayın. Fişleri değiştirmek ve uygun prizler kullanmak, elektrik çarpması riskini azaltacaktır.
- Borular, radyatörler, ocaklar ve buzdolapları gibi topraklanmış yüzeylerle vücut temasından kaçınınız. Vücudunuz topraklama hattı ile temas ettiyse, elektrik çarpması riski artar.
- Elektrikli aletleri yağmura veya ıslak koşullara maruz bırakmayın. Elektrikli alete su girmesi elektrik çarpması riskini artıracaktır.
- Kabloyu amacı dışında kullanmayın. Elektrikli aleti taşımak, çekmek veya fişini çekmek için asla kabloyu kullanmayın. Kabloyu ısıdan, yağdan, keskin kenarlardan veya hareketli parçalardan uzak tutun. Hasar görmüş veya dolanmış kablolar elektrik çarpması riskini artırır.
- Bir elektrikli aleti açık havada çalıştırırken, açık havada kullanıma uygun bir uzatma kablosu kullanın. Açık havada kullanıma uygun bir kablo kullanmak, elektrik çarpması riskini azaltır.

Kişisel Güvenlik



- Dikkatli olun, ne yaptığınıza dikkat edin ve bir elektrikli alet kullanırken sağduyulu davranın. Yorgunken ya da uyuşturucu, alkol veya ilaçların etkisi altındayken elektrikli alet kullanmayın. Elektrikli aletleri çalıştırırken bir anlık dikkatsizlik ciddi kişisel yaralanmalara neden olabilir.
- Kişisel koruyucu ekipman kullanın. Her zaman göz koruyucu ekipman kullanın. Gerekli koşullara uygun kullanılan toz maskesi, kaymaz güvenlik ayakkabıları, baret veya kulak koruyucu gibi koruyucu ekipmanlar kişisel yaralanmaları azaltacaktır.
- İstemsiz çalışmayı önleyin. Aleti güç kaynağına ve/veya pil takımına bağlamadan, kaldırmadan veya başka bir yere taşımadan önce anahtarın kapalı konumunda olduğundan emin olun. Parmağınız şalter üzerindeyken elektrikli aletleri taşımak veya şalteri açık olan elektrikli aletlere güç vermek kazalara davetiye çıkarır.
- Elektrikli aleti çalıştırmadan önce herhangi bir ayar veya civata anahtarını çıkarın. Elektrikli aletin dönen bir parçasına takılı bir anahtar veya civata anahtarını, kişisel yaralanmaya neden olabilir.
- Dengeyi bozmayın. Her zaman doğru desteği ve dengeyi koruyun. Bu, beklenmedik durumlarda elektrikli aletin daha iyi kontrol edilmesini sağlar.
- Yapılan iş için uygun giysiler giyiniz. Bol giysiler giymeyin veya takı kullanmayın. Saçınızı, giysilerinizi ve eldivenlerinizi hareketli parçalardan uzak tutun. Bol giysiler, takılar veya uzun saçlar hareketli parçalara takılabilir.
- Toz çekme ve toplama tesislerinin bağlantısı için gerekli cihazlar olun. Toz toplamanın kullanılması tozla ilgili tehlikeleri azaltabilir.

Elektrikli Alet Kullanımı ve Bakımı

- Elektrikli aleti zorlamayın. Uygulamanız için doğru elektrikli aleti kullanın. Doğru elektrikli alet, işi tasarlandığı hızda daha iyi ve daha güvenli yapacaktır.
- Anahtar açık kapatılmıyorsa elektrikli aleti kullanmayın. Anahtarla kontrol edilemeyen bir elektrikli alet tehlikelidir ve onarılmalıdır.
- Herhangi bir ayarlama yapmadan, aksesuarları değiştirmeden veya elektrikli aletleri kaldırmadan önce fişi güç kaynağından ve/veya pil takımını elektrikli aletten çıkarın. Bu tür önleyici güvenlik önlemleri, elektrikli aletin yanlışlıkla çalıştırılması riskini azaltır.
- Kullanılmayan elektrikli aletleri çocukların erişemeyeceği bir yerde saklayın ve elektrikli alet veya bu talimatlar hakkında bilgi sahibi olmayan kişilerin elektrikli aleti kullanmasına izin vermeyin. Elektrikli aletler, eğitim almamış kullanıcıların elinde tehlikelidir.
- Elektrikli aletlerin bakımını yapın. Hareketli parçaların yanlış ayarlanması veya bağlanmasını, parçaların kırılmasını ve elektrikli aletin çalışmasını etkileyebilecek diğer koşulları kontrol edin. Hasarlıysa, elektrikli aleti kullanmadan önce tamir ettirin. Birçok kaza, bakımı yapılmayan elektrikli aletlerden kaynaklanır.
- Kesici aletleri keskin ve temiz tutun. Bakımı düzgün yapılmış, keskin kesme kenarları olan kesici takımların sıkışma olasılığı daha düşüktür ve kontrol edilmesinde daha kolaydır.
- Elektrikli aleti, aksesuarları, alet uçlarını vb. çalışma koşullarını ve yapılacak işi göz önünde bulundurarak bu talimatlara uygun olarak kullanın. Elektrikli aletin amaçlanandan farklı işlemler için kullanılması tehlikeli bir duruma neden olabilir.

Hizmet

- Elektrikli aletinizin servisini yalnızca aynı orjinal parçaları kullanan kalifiye bir tamirciye yaptırın. Bu, elektrikli aletin güvenliğinin korunmasını sağlayacaktır.

Taşlama, Zımparalama, Tel Fırçalama ve Aşındırıcı Kesme İşlemleri için Ortak Güvenlik Uyarıları

**Açılı Taşlama Makineleri için Güvenlik Talimatı**

- Bu elektrikli alet, taşlama, zımpara, tel fırça veya kesme aleti olarak kullanılmak üzere tasarlanmıştır. Bu elektrikli aletle birlikte verilen tüm güvenlik uyarılarını, talimatları, resimleri ve teknik özellikleri okuyun. Uyarılara ve talimatlara uyulmaması elektrik çarpmasına, yangına ve/veya ciddi yaralanmaya neden olabilir.
- Bu elektrikli aletle, cilalama gibi işlemlerin yapılması önerilmez. Elektrikli aletin tasarlanan işlevinin dışında kullanılan işlemler, tehlike oluşturabilir ve kişisel yaralanmalara neden olabilir.
- Alet üreticisi tarafından özel olarak tasarlanmayan ve tavsiye edilmeyen aksesuarları kullanmayın. Orjinal olmayan aksesuarların elektrikli aletinize takılması ya da uyum göstermesi aletin güvenle çalıştırılabileceği anlamına gelmez.
- Taşlama çarkının güvenlik hattı hızı en az 80m/sn olmalıdır.
- Aksesuarınızın dış çapı ve kalınlığı, elektrikli aletinizin kapasite değeri dahilinde olmalıdır. Yanlış boyuttaki aksesuarlar yeterince korunamaz veya kontrol edilemez.
- Disklerin, flanşların, destek pedlerinin veya diğer aksesuarların mil boyutu, elektrikli aletin miline tam olarak uymalıdır. Elektrikli aletin montaj donanımına uymayan çark delikli aksesuarların dengesi bozulacak, aşırı titreyecek ve bu da kontrol kaybına neden olabilecektir.
- Hasarlı bir aksesuar kullanmayın. Her kullanımdan önce, talaş ve çatlaklar için aşındırıcı diskler, çatlaklar yırtılma veya aşırı aşınma için destek pedi, gevşek veya çatlaklı teller için tel fırça gibi aksesuarları inceleyin. Elektrikli alet veya aksesuar düşerse, hasar olup olmadığını kontrol edin veya hasarsız bir aksesuar takın. Bir aksesuarı kontrol ettikten ve taktıktan sonra, kendinizi ve etraftakileri, dönen aksesuarın düzleminden uzağa konumlandırın ve elektrikli aleti bir dakika boyunca maksimum yüksüz hızda çalıştırın. Hasarlı aksesuarlar genellikle bu test süresi boyunca parçalanır.
- Kişisel koruyucu ekipman giyin. Uygulamaya bağlı olarak, yüz kalkanı veya koruyucu gözlük kullanın. Uygun şekilde, küçük aşındırıcı veya çalışma parçalarını engelleyecek toz maskesi, kulak koruyucular, eldivenler ve atölye önlüğü kullanın. Göz koruması, çeşitli işlemlerden kaynaklanan uçan döküntüleri durdurabilecek özellikleri sağlamalıdır. Toz maskesi veya solunum cihazı, çalışmanız süresince ortaya çıkan parçacıkları filtreleyebilmelidir. Yüksek yoğunluklu gürültüye uzun süre maruz kalmak işitme kaybına neden olabilir.
- Çevredeki insanları, çalışma alanından güvenli bir mesafede tutun. Çalışma alanına giren herkes kişisel koruyucu ekipman giymelidir. Çalışma esnasında oluşan parçacıklar veya kırılmış bir aksesuar uçup gidebilir ve hemen çalışma alanının dışında bile yaralanmalara neden olabilir.

- Kesici aksesuarın gizli kabloları veya kendi kablosuna temas etmesine yol açacak bir işlem yaparken elektrikli aleti sadece yalıtımlı kavrama yüzeyleri ile tutun. Elektrik ileten bir telle temas eden kesme aksesuarı, elektrikli aletin açıkta kalan metal parçalarına elektrik iletebilir ve operatörü elektrik çarparabilir.
- Kabloyu dönen aksesuardan uzakta konumlandırın. Kontrolü kaybederseniz, kablo kesilebilir veya kabloya takılabilir ve eliniz veya kolunuz dönen aksesuara doğru çekilebilir.
- Aksesuar tamamen durana kadar elektrikli aleti asla yere koymayın. Dönen aksesuar yüzeyi kayrayabilir ve elektrikli aleti kontrolünüzden çıkarabilir.
- Elektrikli aleti yanınızda taşırken çalıştırmayın. Dönen aksesuarlar, giysinize takılabilir ve aksesuarı vücudunuza doğru çekerek yanlışlıkla temas etmesine yol açabilir.
- Elektrikli aletin hava deliklerini düzenli olarak temizleyin. Motorun fanı, tozu muhafazanın içine çeker ve aşırı metal tozu birikimi elektriksiz tehlikelere neden olabilir.
- Elektrikli aleti yanıcı maddelerin yakınında çalıştırmayın. Kıvılcıklar bu malzemeleri tutuşturabilir.
- Sıvı soğutucu gerektiren aksesuarları kullanmayın. Su veya diğer sıvı soğutucuların kullanılması elektrik çarpmasına veya şoka neden olabilir.

Geride Tepme ve İlgili Uyarılar



- Elektrikli aleti sıkı bir şekilde tutun ve vücudunuzu ve kolunuzu geri tepme kuvvetlerine direnecek şekilde konumlandırın. Başlatma sırasında geri tepme veya tork reaksiyonu için maksimum kontrolü sağlamak üzere, her zaman yardımcı kolu kullanın. Operatör, uygun önlemler alınrsa tork reaksiyonlarını veya geri tepme kuvvetlerini kontrol edebilir.
- Elinizi asla dönen aksesuarın yanına koymayın. Aksesuar elinizin üzerinde geri tepebilir.
- Geride tepme meydana gelirse vücudunuzu asla elektrikli aletin hareket edeceği bölgede bulundurmayın. Geride tepme, aleti takılma noktasında diskin hareketinin tersi yönde itecektir.
- Köşelerde, keskin kenarlarda vb. çalışırken özellikle dikkat gösterin. Aksesuarı sallamaktan kaçınmın ve bir yere takılmasını önleyin. Köşeler, keskin kenarlar veya hareketli kısımlar, dönen aksesuara takılmaya yol açabilir ve kontrol kaybına veya geri tepmeye neden olur.
- Testere zinciri ahşap oyma bıçağı veya dişli testere bıçağı takmayın. Bu tür bıçaklar sık sık geri tepme ve kontrol kaybı yaratır.

Taşlama ve Aşındırıcı Kesme İşlemlerine Özel Güvenlik Uyarıları



- Sadece elektrikli aletiniz için önerilen disk tiplerini ve seçilen tekerlek için tasarlanmış özel koruyucu kullanın. Elektrikli alet için tasarımı uygun olmayan diskler yeterince korunamaz ve güvensizdir.
- Koruyucu, elektrikli alete güvenli bir şekilde takılmalı ve maksimum güvenlik sağlamak üzere konumlandırılmalı, böylece operatöre en az miktarda diske maruz kalır. Koruma, operatörün kırık disk parçalarından ve disklerle kazara temasına karşı korunmasına yardımcı olur.
- Diskler, sadece önerilen uygulamalar için kullanılmalıdır. Örneğin: kesme diskinin yan tarafı ile taşlama yapmayın. Aşındırıcı kesme diskleri çevresel taşlama için tasarlanmıştır; bu disklerle uygulanan yan kuvvetler kırılmalarına neden olabilir.
- Her zaman seçtiğiniz disk için doğru boyut ve şekle sahip hasarsız disk flanşları kullanın. Uygun disk flanşları diskleri destekler, böylece diskin kırılma olasılığını azaltır. Kesme diskleri için flanşlar; taşlama diski flanşlarından farklı olabilir.
- Daha büyük elektrikli aletlerin aşınmış disklerini kullanmayın. Daha büyük elektrikli alet için tasarlanan disk, daha küçük bir aletin daha yüksek hızı için uygun değildir ve patlayabilir.

Aşındırıcı Kesme İşlemlerine Özel Ek Güvenlik Uyarıları



- Kesme diskinin "sıkıştırmayın" veya aşırı basınç uygulamayın. Aşırı bir kesim derinliği yapmaya çalışmayın. Diske aşırı yük bindirilmesi, kesim sırasında diske yüklenmesini ve bükülme veya sıkışma olasılığını ve geri tepme veya diskin kırılma olasılığını artırır.
- Vücudunuzu dönen diskin hizasında ve arkasında konumlandırmayın. Disk, çalışma noktasında vücudunuzdan uzaklaştığında, olası bir geri tepme, çıkırığı ve elektrikli aleti doğrudan size doğru itebilir.
- Disk takıldığında veya herhangi bir nedenle kesime ara verirken, elektrikli aleti kapatın ve disk tamamen durana kadar elektrikli aleti hareketsiz tutun. Disk hareket halindeyken asla kesme diskinin kesimden çıkarmaya çalışmayın, aksi takdirde geri tepme meydana gelebilir. Disk sıkışmasının nedenini araştırın ve ortadan kaldırmak için düzeltici önlem alın.

- İş parçasında kesme işlemini yeniden başlatmayın. Diskin tam hıza ulaşmasına izin verin ve kesime dikkatlice yeniden girin. Elektrikli alet iş parçasında yeniden çalıştırılırsa disk takılabilir, yukarı çıkabilir veya geri tepebilir.
- Disk sıkışması ve geri tepme riskini en aza indirmek için panelleri veya büyük boyutlu iş parçalarını destekleyin. Büyük iş parçaları kendi ağırlıkları altında sarkma eğilimindedir. Destekler; iş parçasının altına kesim çizgisinin yakınında ve diskin her iki tarafındaki iş parçasının kenarına yakın yerleştirilmelidir.
- Mevcut duvarlara veya diğer kör alanlara "cep kesimi" yaparken ekstra dikkatli olun. Çıkmış tekerlek gaz veya su borularını, elektrik kablolarını veya geri tepmeye neden olabilecek nesnelere kesebilir.

Uygulama

- Paslanmaz çelik ve boru kesmek veya iş parçalarının uç kenarlarını, çapaklarını, kaynak vb. taşlamak için fiber takviyeli ziller ile donatılmış taşlama çarkı ve beton, taş, tuğla ve diğer yapı malzemeleri ve ürünlerini kesmek için elmaslı testere bıçağı ile donatılmış taşlama çarkı

Semboller

Kılavuzu okuyun



Uyarı



Çift izolasyon



Kulak koruyucu kullanın



Toz maskesi takın



Eski cihazları evdeki çöp kutusuna atmayın



Göz koruması kullanın



Ellerinizi ve ayaklarınızı herkesten uzak tutun



TEKNİK BİLGİLER

1.1 Teknik Özellikler

TEKNİK ÖZELLİKLER	BİRİM	MGT 2600
Model		MGT 2600
Nominal Gerilim	V	220~240
Nominal Frekans	Hz	50/60
Nominal Güç Girişi	W	2600
Nominal Hız	d/dak	8000
Maksimum Tekerlek Çapı	mm	180
Net Ağırlık	kg	5.3

KULLANIM BİLGİLERİ

TR

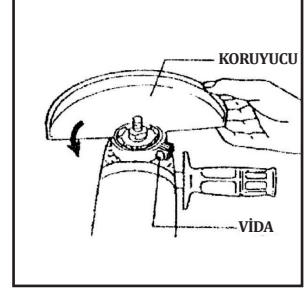
2.1 Disk Koruması Montajı



Disk korumasını takmadan veya çıkarmadan önce gücün kesildiğinden emin olun.

Muhafaza üzerindeki sabitleme vidalarını gevşetin, muhafaza üzerindeki çentikler mil boynundaki tuşlarla aynı hizada olacak şekilde muhafazayı mil boynuna yerleştirin. Ardından vidayı sıkıca sabitleyin.

Muhafazanın açısını ayarlamamız gerektiğinde, vidayı hafifçe gevşetmeli ve muhafazayı istenen açya döndürmeli ve ardından sabitleme vidalarını tekrar sıkmalısınız.



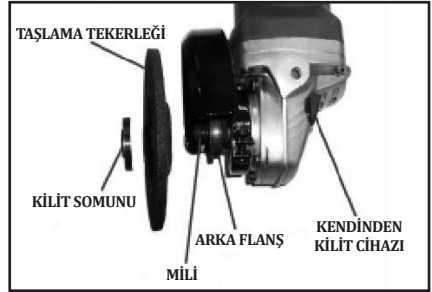
2.2 Disk Taşlama Çarkı Montajı



Disk korumasını takmadan veya çıkarmadan önce gücün kesildiğinden emin olun.

TAKVİYE FLANŞI ve TAŞLAMA ÇARKINI şaftın üzerine yerleştirin, ardından **KİLİT SOMUNU** vidalayın ve mil kilidini tutmak için **KENDİNDEN KİLİTLEME CİHAZINI** aşağı bastırırken **SOMUN**'u anahtarla sıkın.

ÇIKARMAK İÇİN: Prosedürün tersini yapın.



2.3 Anahtar İşlemi

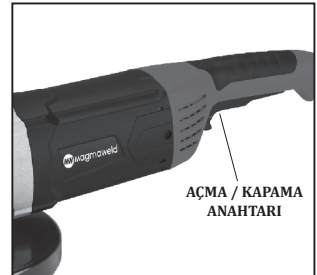


Cihazı kullanmadan önce kendi kendine kilitlenen cihazın serbest olduğundan emin olun.

Kapattıktan sonra, cihaz birkaç saniye daha çalışmaya devam etti. Cihazı yere koymadan önce aşındırma diskinin durmasını bekleyin.

1. ON/OFF BUTONUNA (1) basın, anahtar açılır.
2. ON/OFF DÜĞMESİNİ (0) bırakın, anahtar kapanır.

Enerjiden tasarruf etmek için elektrikli el aletini sadece kullanacağınız zaman açın.



2.4 Çalıştırma

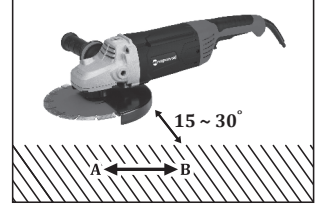


Disk korumasını takmadan veya çıkarmadan önce gücün kesildiğinden emin olun.

Genellikle, taşlama sırasında, taş ile iş parçası arasında 15° - 30° lik bir açı bırakın.

Lütfen yeni bir taşlama çarkı kullanırken B yönünde çalıştırmayın. Aksi takdirde, parça kesilecektir.

Taşlama çarkının kenarı yuvarlandığında, hem A hem de B olmak üzere herhangi bir yönde çalıştırabilirsiniz.





BAKIM VE ARIZA BİLGİLERİ

TR

3.1 Taşlama Çarkı

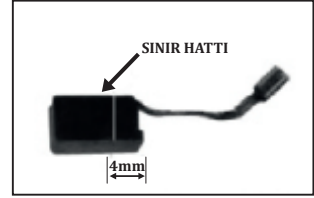
Taşlama çarkı aşındığında ve sınırına kadar yırtıldığında veya hasar, çatlak, deformasyon veya başka bir kusur olduğunda, derhal değiştirilmelidir.

3.2 Vida

Vidanın gevşek olup olmadığını aletin her parçasında düzenli olarak kontrol edin, gevşek olan derhal sıkılmalıdır.

3.3 Karbon Fırça

Karbon fırçaları düzenli olarak kontrol edin ve değiştirin. Karbon fırçalar sınırlarına kadar aşındığında, derhal değiştirilmelidir. İki karbon fırça varsa, birlikte değiştirilmelidir. Karbon fırçaları temiz tutun ve fırça tutucunun içinde serbestçe kaymasını sağlayın.



3.4 Temizlik

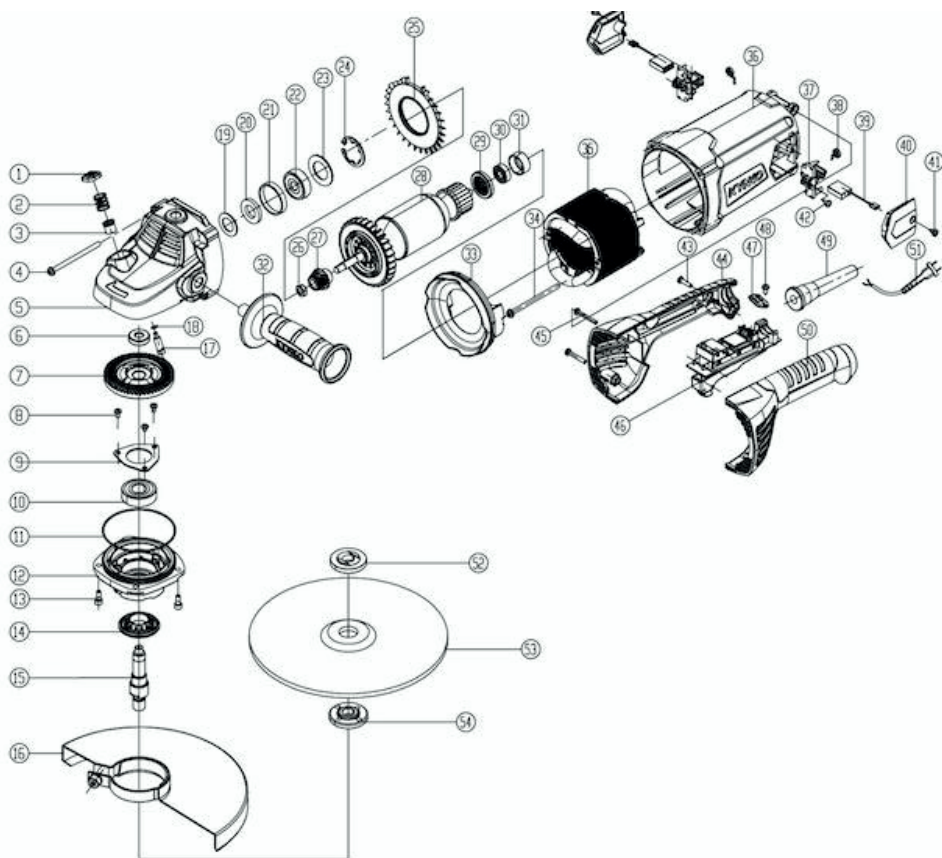
Havalandırma temiz tutulmalı ve düzenli olarak ve tıkanıldığında temizlenmelidir.

3.5 Güç Kablosu

Güç kablosunda çizik, hasar, fişte çatlak veya diğer kusurlar olup olmadığını düzenli olarak kontrol edin; herhangi bir problem varsa, derhal tamir edilmelidir.

EKLER**4.1 Yedek Parça Listesi**

TR



4.1 Yedek Parça Listesi

NO	TANIM	MALZEME KODU
1	Kilitleme Pim Plastiđi	Y832000301
2	Kilitleme Pim Yayı	Y832000302
3	Kilitleme Burcu	Y832000303
4	Başlık Vidası	Y832000304
5	Başlık Dişli Kutusu	Y832000305
6	609 Rulman Yatak	Y832000306
7	Dişli	Y832000307
8	Sabitleyici Vidası	Y832000308
9	Delikli Sabitleyici	Y832000309
10	6203 Rulman	Y832000310
11	Ön Kapak O-Ringi	Y832000311
12	Ön Kapak	Y832000312
13	Ön Kapak Vidası	Y832000313
14	Toz Geçirmez Plaka	Y832000314
15	Dönme Mili	Y832000315
16	Disk Koruma Kapađı	Y832000316
17	Kilitleme Pimi	Y832000317
18	Kilitleme Oringi	Y832000318
19	İnce Pul	Y832000319
20	Ana Pul	Y832000320
21	Lastik Rulman Halkası	Y832000321
22	6300 Rulman	Y832000322
23	Pul	Y832000323
24	Kavrama Halkası	Y832000324
25	Deflektör	Y832000325
26	Küçük Dişli Somunu	Y832000326
27	Küçük Dişli	Y832000327
28	Rotor	Y833000301
29	Toz Geçirmez Plaka	Y832000328
30	608 Rulman	Y832000329
31	608 Rulman Plastik Kolu	Y832000330
32	Yan Tutamaç	Y832000331
33	Fan Bölmesi	Y832000332
34	Stator Vidası	Y832000333
35	Stator	Y833000302
36	Stator Kapađı	Y832000334
37	Kömür Yuvası	Y832000335

NO	TANIM	MALZEME KODU
38	Kömür Yuvası Yayı	Y832000336
39	Karbon Fırça - Kömür	Y834000301
40	Kömür - Fırça Kapağı	Y832000337
41	Fırça Kapağı Vidası	Y832000338
42	Fırça Tutucu Vidası	Y832000339
43	Sağ Kol Vidası	Y832000340
44	Sağ Kol Plastiği	Y832000341
45	Stator Kapağı Vidası	Y832000342
46	Şalter	Y834000302
47	Kablo Klipsi	Y832000343
48	Sol Kol Vidası	Y832000344
49	Kablo Koruma	Y832000345
50	Sol Kol Plastiği	Y832000346
51	Güç Kablosu	Y833000303
52	İç Flanş	Y832000347
54	Dış Flanş	Y832000348

MAGMAWELD ULUSLARARASI TİCARET A.Ş.

www.magmaweld.com

DECLARATION OF CONFORMITY UYGUNLUK DEKLARASYONU



Company / Firma

Magmaweld Uluslararası Ticaret A.Ş.
Dereboyu Cad. Bilim Sok. Sun Plaza 5/7 Maslak 34398 İstanbul, Türkiye

The Product / Ürün

MGT 2600

Date of Assessment / Değerlendirme Tarihi

22.04.2020 / 24.04.2020

European Standard / Avrupa Standartı

EN 60745-1 : 2009 +A1 :2010 , EN 60745-2-3 : 2011 +A2 :2013 +A11 :2014 +A13 :2015
EN 55014-1: 2017, EN 55014-2: 2015, EN 61000-3-2: 2014, EN 61000-3-2: 2013

Meet The Requirements of the European Regulations and European Directives

/ Gereklilikleri Karşılanan Avrupa Yönetmelikleri ve Avrupa Direktifleri

EU 2006/42/EC, EMC directive (2014/30/EU)

Magmaweld Uluslararası Ticaret A.Ş. declare that the above mentioned products comply with standard. This declaration will loose its validity in case of modification on the arc welding mask without out written authorization.

Magmaweld Uluslararası Ticaret A.Ş. olarak yukarıda geçen ürünlerin standartlara uygun olduğunu beyan ederiz. Yazılı iznimiz olmaksızın ark kaynak maskesi üzerinde yapılan değişiklikler bu belgeyi geçersiz kılacaktır.

Date of Issue / Yayın Tarihi

15.05.2021

Murat YAŞAROĞLU

DEĞERLİ KULLANICILARIMIZA BİLGİLENDİRME

- 6502 sayılı Tüketici Korunması Hakkında Kanun'un (Tüketici Kanunu) amacı tüketicilerin güvenliğini ve ekonomik çıkarlarını korumaktır. Bu nedenle Magmaweld markalı Elektrikli El Aletleri için verilen 2 yıllık garanti süresinden sadece "tüketici" olarak tanımlanan kişiler yararlanabilecektir. Tüketici Kanunu'nda "tüketici" ifadesi "Ticari veya mesleki olmayan amaçlarla hareket eden gerçek ya da tüzel kişi" olarak tanımlanmıştır. Bu ürünü üretimde veya mesleğini icra ederken kullanacak bir gerçek veya tüzel kişi kullanacaksa bu durumda 1 yıllık garanti süresi uygulanmaktadır.
- Kullanım sonucu doğal aşınmaya uğramış parçalardan kaynaklanan hatalar ve arızalar, kullanım talimatlarına aykırı kullanımdan kaynaklanan hata ve arızalar, Magmaweld orijinal yedek parçaların dışında kullanılan yedek parçaların sebep olduğu hatalar ve arızalar garanti kapsamı dışındadır.
Yetkili servislerimize yapılacak başvurularınızda garanti belgesi ile faturanızı ibraz etmeniz işlemlerinizin hızlı ve kolay ilerlemesini sağlayacaktır.
- Bu ürünlerin Gümrük ve Ticaret Bakanlığı tarafından belirlenen kullanım ömrü 7 yıldır. Kullanım ömrü, malın tüketiciye teslim tarihinden itibaren başlayan ve Satış Sonrası Hizmetler Yönetmeliği ekinde yer alan 5.7 maddesi Avuç Taşlama Makineleri için tespit edilen süreyi ifade eder.

Saygılarımızla,

Magmaweld Uluslararası Ticaret A.Ş.

TSE YETKİLİ SERVİSLER

BÖLGE	ADRES	TELEFON
AKDENİZ	BİR ELEKTRİK BOBİNAJ TAAHHÜT TİCARET Yeşiloba Mah. 46153 Sok. Oto Tamirciler Sitesi D Blok No: 18 SEYHAN / ADANA birelektrik@hotmail.com	0 322 429 10 70
DOĞU ANADOLU	MASTER MEKANİK MAKİNE SANAYİ TİC. LTD. ŞTİ. Yeni Sanayi Sitesi P Blok No: 3 TUŞBA / VAN info@mastermakine.gen.tr	0 432 223 28 47
EGE	MAGMA MEKATRONİK MAKİNE SANAYİ VE TİCARET. A.Ş. Organize Sanayi Bölgesi, 5. Kısım 45030 MANİSA info@magmaweld.com	0 236 226 27 00
GÜNEYDOĞU ANADOLU	ÖZDEMİR BOBİNAJ Aydın Baba Mah. İlk Belediye Başkan Cad. No: 2/B ŞAHİNBEY / GAZİANTEP ozdemir.bobinaj@hotmail.com	0 342 231 60 88
İÇ ANADOLU	TEKNİK ADAMLAR İvedik Organize Sanayi Bölgesi 1473 Cad. No: 29 YENİMAHALLE / ANKARA teknik.adamlar@hotmail.com	0 312 394 36 48
	YENER METAL SANAYİ TİCARET A.Ş. Anbar Mah. Demirciler Sitesi 14. Cad. No: 34 MELİKGAZI / KAYSERİ yenermetal@yenermetal.com.tr	0 352 311 52 54
KARADENİZ	EMEK BOBİNAJ Sanayi Mah. Değirmen Cad. No:26 ORTAHİSAR / TRABZON omerkumus61@hotmail.com	0 462 325 97 16
MARMARA	CEVİZ ELEKTRONİK Nişancıpaşa Mah. Atlar Çeşme Sok. No:4A Z:08 Derya Apt. A Blok EDİRNE naimceviz1122@gmail.com	0 284 212 23 89

GARANTİ ŞARTLARI

1. Garanti süresi malın teslim tarihinden itibaren başlar ve 2 yıldır.
2. Malın bütün parçaları dahil olmak üzere tamamı garanti süresince garanti kapsamındadır.
3. Garanti uygulaması sırasında değiştirilen malın garanti süresi, satın alınan malın kalan garanti süresi ile sınırlıdır.
4. Malın tamir süresi en fazla 20 iş günüdür. Bu süre mala ilişkin arızanın servis istasyonu, servis istasyonunun olmaması durumunda malın satıcısı, bayisi, acentesi, temsilciliği, ithalatçısı veya imalatçısından birisine bildirim tarihinden itibaren başlar. Malının arızasının 10 iş günü içerisinde giderilmemesi halinde, imalatçı veya ithalatçı; malın tamiri tamamlanıncaya kadar benzer özelliklere sahip başka bir malı tüketicinin kullanımına tahsis edecektir.
5. Malın garanti süresi içerisinde gerek malzeme ve işçilik gerekse montaj hatalarından dolayı arızalanması halinde, işçilik masrafı değiştirilen parça bedeli ya da başka herhangi bir ad altında hiçbir ücret talep edilmeksizin tamiri yapılacaktır.
6. Malın ayıplı olduğunun anlaşılması durumunda tüketici 6502 Sayılı Tüketicinin Korunması Hakkında Kanun'un 11. maddesinde belirtilen:
Satılanı geri vermeye hazır olduğunu bildirerek sözleşmeden dönme,
Satılanı alıkoymuş ayıp oranında satış bedelinden indirim isteme,
Aşırı bir masraf gerektirmediği takdirde, bütün masrafları satıcıya ait olmak üzere satılanın ücretsiz onarılmasını isteme,
İmkân varsa, satılanın ayıpsız bir misli ile değiştirilmesini isteme, seçimli haklarında birini kullanabilir. Tüketicinin malın ücretsiz değiştirilmesi seçimli haklarını kullanma durumunda bu durum satıcı için orantsız güçlükleri beraberinde getirecek ise tüketici yalnızca, bedel iadesini ve ayıp oranında bedel indirimini talep edebilir.
7. Malın kullanım özellikleri "Kullanım Kılavuzu"nda açıkça belirtilmiştir. Malın kullanan kılavuzunda yer alan hususlara aykırı kullanılmasından ya da kullanım hatalarından kaynaklanan arızalar garanti kapsamı dışındadır.
8. Tüketiciler, şikâyet ve itirazları konusundaki başvurularını yürürlükteki mevzuat kapsamında tüketici mahkemelerine ve tüketici hakem heyetlerine yapabilirler.

İTHALATÇI FİRMA

Magma Mekatronik Sanayi ve Ticaret A. Ş.

Organize sanayi bölgesi 5. Kısım Manisa / TÜRKİYE - T: 0 236 226 27 00 / F: 0 236 226 27 28

Firma Yetkilisi İmzası ve Kaşesi :

Malın

Cinsi :

Markası :

Modeli :

Bandrol ve Seri No'su :

Tüketicie Teslim Tarihi ve Yeri :

Garanti Süresi : 2 Yıl

Azami Tamir Süresi : 20 İş günü

Satıcı Firmannın Unvanı :

Adresi :

Telefon-Fax :

Fatura Tarihi ve Sayısı :

Tarih-Yetkili Kaşe-İmza :

Web Adresi :

YETKİLİ SERVİSLER

MERKEZ SERVİS

Organize Sanayi Bölgesi, 5. Kısım 45030 MANİSA

Telefon : 444 93 53

E-Posta : info@magmaweld.com

YETKİLİ SERVİSLER



Güncel servis listemiz için www.magmaweld.com.tr/servis-listesi web sitemizi ziyaret ediniz.

Magma Mekatronik Makine Sanayi ve Ticaret A.Ş.
Organize Sanayi Bölgesi, 5. Kısım 45030 Manisa, Turkey

İMALATÇI

KYNKO Industrial Limited

Jinhehang Development Zone, Shanxia, Huian, Quanzhou, Fujian, China

T: +86 592 2068518

Email: info@kynko.com.cn

29.04.2024

UM_MGT2600_022022_042024_003_32



(+90) 444 93 53
magmaweld.com
info@magmaweld.com