



USER MANUAL

monoTIG 165ip



All rights reserved. It is prohibited to reproduce this documentation, or any part thereof, without the prior written authorisation of Magma Mekatronik Makine Sanayi ve Ticaret A.Ş.
Magma Mekatronik may modify the information and the images without any prior notice.
Tüm hakları saklıdır. Magma Mekatronik Makine Sanayi ve Ticaret A.Ş.'nin yazılı izni olmaksızın bu dökümanın tamamının yada bir bölümünün kopyalanması yasaktır.
Magma Mekatronik önceden haber vermeksizin bilgilerde ve resimlerde deęişiklik yapılabilir.

DC TIG WELDING INVERTER

EN

POSTE À SOUDER ONDULEUR TIG DC

FR

СВАРОЧНЫЙ ИНВЕРТОР TIG DC

RU

DC TIG KAYNAK İNVERTÖRÜ

TR



EN 60974-1

EN 60974 -10

RoHS



 **CONTENTS**

SAFETY PRECAUTIONS	5
1 TECHNICAL INFORMATION	
1.1 General Information	11
1.2 Machine Components	11
1.3 Product Label	12
1.4 Technical Data	13
1.5 Accessories	13
2 INSTALLATION	
2.1 Delivery Control	14
2.2 Installation and Operation Recommendations	14
2.3 Mains Plug Connection	15
2.4 Connection to Mains	15
2.5 Connections for TIG Welding	15
2.5.1 Torch Connections	15
2.5.2 Gas Connections	16
2.5.3 Trigger System Socket Connections	16
2.5.4 Grounding Clamps Connections	16
2.5.5 Installation of Torch Consumables	17
2.6 Connections for (MMA) Welding	17
3 OPERATION	
3.1 User Interface	18
3.2 TIG Curve	24
3.3 Machine Features	25
3.4 Consumption Values	25
4 MAINTENANCE AND SERVICE	
4.1 Maintenance	26
4.2 Troubleshooting	27
4.3 Error Codes	28
5 ANNEX	
5.1 Spare Part List	30
5.2 Connection Diagrams	31

SAFETY PRECAUTIONS

Be Sure To Follow All Safety Rules In This Manual!

Explanation Of Safety Information



- Safety symbols found in the manual are used to identify potential hazards.
- When any one of the safety symbols are seen in this manual, it must be understood that there is a risk of injury and the following instructions should be read carefully to avoid potential hazards.
- The possessor of the machine is responsible for preventing unauthorized persons from accessing the equipment.
- Persons using the machine must be experienced or fully trained in welding / cutting they have to read the user manual before operation and follow the safety instructions.

Explanation Of Safety Symbols



ATTENTION

Indicates a potentially hazardous situation that could cause injury or damage. In case if no precaution is taken, it may cause injuries or material losses / damages.



IMPORTANT

Specifies notifications and alerts on how to operate the machine.



DANGER

Indicates a serious danger. In case if not avoided, severe or fatal injuries may occur.

Comprehending Safety Precautions



- Read the user manual, the label on the machine and the safety instructions carefully.
- Make sure that the warning labels on the machine are in good condition. Replace missing and damaged labels.
- Learn how to operate the machine, how to make the checks in a correct manner.
- Use your machine in suitable working environments.
- Improper changes made in your machine will negatively affect the safe operation and its longevity.
- The manufacturer is not responsible for the consequences resulting from the operation of the device beyond the specified conditions.

Electric Shocks May Kill



Make certain that the installation procedures comply with national electrical standards and other relevant regulations, and ensure that the machine is installed by authorized persons.

- Wear dry and sturdy insulated gloves and working apron. Never use wet or damaged gloves and working aprons.
- Wear flame-resistant protective clothing against the risk of burning. The clothing used by the operator must be protective against sparks, splashing and arc radiation.
- Do not work alone. In case of a danger make sure you have someone for help in your working environment.
- Do not touch the electrode with the bare hand. Do not allow the electrode holder or electrode to come in contact with any other person or any grounded object.
- Never touch parts that carry electricity.
- Never touch the electrode if you are in contact with the electrode attached to the work surface, floor or another machine.
- By isolating yourself from the work surface and the floor, you can protect yourself from possible electric shocks. Use a non-flammable, electrically insulating, dry and undamaged insulation material that is large enough to cut off the operator's contact with the work surface.
- Do not connect more than one electrode to the electrode holder.
- Clamp work cable with good metal-to-metal contact to workpiece or worktable as near the weld as practical.
- Check the torch before operating the machine. Make sure the torch and its cables are in good condition. Always replace a damaged, worn torch.
- Do not touch electrode holders connected to two machines at the same time since double open-circuit voltage will be present.
- Keep the machine turned off and disconnect cables when not in use.
- Before repairing the machine, remove all power connections and / or connector plugs or turn off the machine.
- Be careful when using a long mains cable.

- Make sure all connections are tight, clean, and dry.
 - Keep cables dry, free of oil and grease, and protected from hot metal and sparks.
 - Bare wiring can kill. Check all cables frequently for possible damage. If a damaged or an uninsulated cable is detected, repair or replace it immediately.
 - Insulate work clamp when not connected to workpiece to prevent contact with any metal object.
 - Make sure that the grounding of the power line is properly connected.
 - Do not use AC weld output in damp, wet, or confined spaces, or if there is a danger of falling.
 - Use AC output ONLY if required for the welding process.
 - If AC output is required, use remote output control if present on unit.
- Additional safety precautions are required when any of the following electrically hazardous conditions are present :**
- in damp locations or while wearing wet clothing,
 - on metal structures such as floors, gratings, or scaffolds,
 - when in cramped positions such as sitting, kneeling, or lying,
 - when there is a high risk of unavoidable or accidental contact with the workpiece or ground.
- For these conditions, use the following equipment in order presented:
- Semiautomatic DC constant voltage (CV) MIG welding machine,
 - DC manual MMA welding machine,
 - DC or AC welding machine with reduced open-circuit voltage (VRD), if available.

Procedures for Electric Shock



- Turn off the electric power.
- Use non-conducting material, such as dry wood, to free the victim from contact with live parts or wires.
- Call for emergency services.

If you have first aid training;

- If the victim is not breathing, Administer cardiopulmonary resuscitation (CPR) immediately after breaking contact with the electrical source. Continue CPR (cardiac massage) until breathing starts or until help arrives.
- Where an automatic electronic defibrillator (AED) is available, use according to instructions.
- Treat an electrical burn as a thermal burn by applying sterile, cold (iced) compresses. Prevent contamination, and cover with a clean, dry dressing.

Moving Parts May Cause Injuries



- Keep away from the moving parts.
- Keep all protective devices such as covers, panels, flaps, etc., of machinery and equipment closed and in locked position.
- Wear metal toe shoes against the possibility of heavy objects falling on to your feet.

Fumes and Gases May Be Harmful To Your Health



Long-term inhalation of fumes and gases released from welding / cutting is very dangerous.

- Burning sensations and irritations in the eyes, nose and throat are signs of inadequate ventilation. In such a case, immediately boost the ventilation of the work area, and if the problem persists, stop the welding / cutting process completely.
- Create a natural or artificial ventilation system in the work area.
- Use a suitable fume extraction system where welding / cutting works are being carried out. If necessary, install a system that can expel fumes and gases accumulated in the entire workshop. Use a suitable filtration system to avoid polluting the environment during discharge.
- If you are working in narrow and confined spaces or if you are welding lead, beryllium, cadmium, zinc, coated or painted materials, use masks that provide fresh air in addition to the above precautions.
- If the gas tanks are grouped in a separate zone, ensure that they are well ventilated, keep the main valves closed when gas cylinders are not in use, pay attention to possible gas leaks.
- Shielding gases such as argon are denser than air and can be inhaled instead of air if used in confined spaces. This is dangerous for your health as well.
- Do not perform welding / cutting operations in the presence of chlorinated hydrocarbon vapors released during lubrication or painting operations.
- Some welded / cut parts require special ventilation. The safety rules of products that require special ventilation should be read carefully. A suitable gas mask should be worn when necessary.

Arc Light May Damage Your Eyes and Skin

- Use a standard protective mask and a suitable glass filter to protect your eyes and face.
- Protect other naked parts of your body (arms, neck, ears, etc.) with suitable protective clothing from these rays.
- Enclose your work area with flame-resistant folding screens and hang warning signs at eye level so that people around you will not sustain injuries from arc rays and hot metals.
- This machine is not used for heating of icebound pipes. This operation performed with the welding / cutting machine causes explosion, fire or damage to your installation.

Sparks and Spattering Particles May Get Into Eyes and Cause Damage

- Performing works such as welding / cutting, surface grinding, and brushing cause sparks and metal particles to splatter. Wear approved protective work goggles which have edge guards under the welding masks to prevent sustaining possible injuries.

Hot Parts May Cause Severe Burns

- Do not touch the hot parts with bare hands.
- Wait until the time required for the machine to cool down before working on its parts.
- If you need to hold hot parts, use suitable tools, welding / cutting gloves with high-level thermal insulation and fire-resistant clothes.

Noise May Cause Damage To Your Hearing Ability

- The noise generated by some equipment and operations may damage your hearing ability.
- Wear approved personal ear protective equipment if the noise level is high.

Welding Wires Can Cause Injuries

- Do not point the torch towards any part of the body, other persons, or any metal while unwrapping the welding / cutting wire.
- When welding wire is run manually from the roller especially in thin diameters the wire can slip out of your hand, like a spring or can cause damage to you or other people around, therefore you must protect your eyes and face while working on this.

Welding Operations May Cause Fire and Explosion

- Never perform welding / cutting work in places near flammable materials. There may be fire or explosions.
- Before starting the welding / cutting work, remove these materials from the environment or cover them with protective covers to prevent combustions and flaring.
- National and international special rules apply in these areas.
- Do not apply welding / cutting operations into completely closed tanks or pipes.
- Before welding to tanks and closed containers, open them, completely empty them, and clean them. Pay the greatest attention possible to the welding / cutting operations you will perform in such places.
- Do not weld in tanks and pipes which might have previously contained substances that may cause explosions, fires or other reactions.
- Welding / cutting equipment heats up. For this reason, do not place it on surfaces that could easily burn or be damaged !
- Sparks and splashing parts may cause a fire. For this reason, keep materials such as fire extinguishers tubes, water, and sand in easily accessible places.
- Use holding valves, gas regulators and valves on flammable, explosive and compressed gas circuits. Make sure that they are periodically inspected and pay attention that they run reliably.

Maintenance Work Performed by Unauthorized Persons To Machines and Apparatus May Cause Injuries

- Electrical equipment should not be repaired by unauthorized persons. Errors occurred if failed to do so may result in serious injury or death when using the equipment.
- The gas circuit elements operate under pressure; explosions may occur as a result of services provided by unauthorized persons, users may sustain serious injuries.
- It is recommended to perform technical maintenance of the machine and its auxiliary units at least once a year.

- Welding / Cutting in Small Sized and Confined Spaces**
- In small-sized and confined spaces, absolutely make sure to perform welding / cutting operations, accompanied by another person.
 - Avoid performing welding / cutting operations in such enclosed areas as much as possible.



- Failure To Take Precautions During Transport May Cause Accidents**
- Take all necessary precautions when moving the machine. The areas where the machine to be transported, parts to be used in transportation and the physical conditions and health of the person carrying out the transportation works should be suitable for the transportation process.
 - Some machines are extremely heavy; therefore, make sure that the necessary environmental safety measures are taken when changing their places.



- If the machine is to be used on a platform, it must be checked that this platform has suitable load bearing limits.
- If it is to be transported by means of a haulage vehicle (transport trolley, forklift etc.), make sure of the durability of the vehicle, and the connection points (carrying suspenders, straps, bolts, nuts, wheels, etc.) that connect the machine to this vehicle.
- If the machine will be carried manually, make sure the durability of the machine apparatuses (carrying suspenders, straps, etc.) and connections.
- Observe the International Labor Organization's rules on carriage weights and the transport regulations in force in your country in order to ensure the necessary transport conditions.
- Always use handles or carrying rings when relocating the power-supply sources. Never pull from torches, cables or hoses. Be absolutely sure to carry gas cylinders separately.
- Remove all interconnections before transporting the welding / cutting equipment, each being separately, lift and transport small ones using its handles, and the big ones from its handling rings or by using appropriate haulage equipment, such as forklifts.

Falling Parts May Cause Injuries



Improper positioning of the power-supply sources or other equipment can cause serious injury to persons and physical damage to other objects.

- Place your machine on the floor and platforms with a maximum tilt of 10° so that it does not fall or tip over. Choose places that do not interfere with the flow of materials, where there is no risk of tripping over on cables and hoses; yet, large, easily ventilatable, dust-free areas. To prevent gas cylinders from tipping over, on machines with a gas platform suitable for the tanks, fix the tanks on to the platform; in stationary usage applications, fix them to the wall with a chain in a way that they would not tip over for sure.
- Allow operators to easily access settings and connections on the machine.

Excessive Use Of The Machine Causes Overheating



- Allow the machine to cool down according to operation cycle rates.
- Reduce the current or operation cycle rate before starting the welding / cutting again.
- Do not block the fronts of air vents of the machines.
- Do not put filters that do not have manufacturer approvals into the machine's ventilation ports.

Excessive Use Of The Machine Causes Overheating



- This device is in group 2, class A in EMC tests according to TS EN 55011 standard.
- This class A device is not intended for use in residential areas where electrical power is supplied from a low-voltage power supply. There may be potential difficulties in providing electromagnetic compatibility due to radio frequency interference transmitted and emitted in such places.



This device is not compliant with IEC 61000 -3-12. In case if it is desired to be connected to the low voltage network used in the home, the installer to make the electrical connection or the person who will use the machine must be aware that the machine has been connected in such a manner; in this case the responsibility belongs to the user.

- Make sure that the work area complies with electromagnetic compatibility (EMC). Electromagnetic interferences during welding / cutting operations may cause undesired effects on your electronic devices and network; and the effects of these interferences that may occur during these operations are under the responsibility of the user.
- If there is any interference, to ensure compliance; extra measures may be taken, such as the use of short cables, use of shielded (armored) cables, transportation of the welding machine to another location, removal of cables from the affected device and / or area, use of filters or taking the work area under protection in terms of EMC.
- To avoid possible EMC damage, make sure to perform your welding / cutting operations as far away from your sensitive electronic devices as possible (100 m).

- Ensure that your welding and/or cutting machine has been installed and situated in its place according to the user manual.

Evaluation Of Electromagnetic Suitability Of The Work Area



According to article 5.2 of IEC 60974-9;

Before installing the welding / cutting equipment, the person in charge of the operation and / or the user must conduct an inspection of possible electromagnetic interference in the environment.

Aspects indicated below has to be taken into consideration;

- Other supply cables, control cables, signal and telephone cables, above and below the welding / cutting machine and its equipment,
- Radio and television transmitters and receivers,
- Computer and other control hardware,
- Critical safety equipment, e.g. protection of industrial equipment,
- Medical apparatus for people in the vicinity, e.g. pacemakers and hearing aids,
- Equipment used for measuring or calibration,
- Immunity of other equipment in the environment. The user must ensure that the other equipment in use in the environment is compatible. This may require additional protection measures.
- Considering the time during which the welding / cutting operations or other activities take place during the day, the boundaries of the investigation area can be expanded according to the size of the building, the structure of the building and other activities that are being performed in the building.

In addition to the evaluation of the field, evaluation of device installations may also be necessary for solving the interfering effect. In case if deemed necessary, on-site measurements can also be used to confirm the efficiency of mitigation measures.

(Source: IEC 60974-9).

Electromagnetic Interference Reduction Methods



- The appliance must be connected to the electricity supply in the recommended manner by a competent person. If interference occurs, additional measures may be applied, such as filtering the network. The supply of the fixed-mounted arc welding equipment must be made in a metal tube or with an equivalent shielded cable. The housing of the power supply must be connected and a good electrical contact between these two structures has to be provided.
- The recommended routine maintenance of the appliance must be carried out. All covers on the body of the machine must be closed and / or locked when the device is in use. Any changes, other than the standard settings without the written approval of the manufacturer, cannot be modified on the appliance. Otherwise, the user is responsible for any consequences that may possibly occur.
- Welding / cutting cables should be kept as short as possible. They must move along the floor of the work area, in a side by side manner. Welding / cutting cables should not be wound in any way.
- A magnetic field is generated on the machine during welding / cutting. This may cause the machine to pull metal parts on to itself. To avoid this attraction, make sure that the metal materials are at a safe distance or fixed. The operator must be insulated from all these interconnected metal materials.
- In cases where the workpiece cannot be connected to the ground due to electrical safety, or because of its size and position (for example, in building marine vessel bodies or in steel construction manufacturing), a connection between the workpiece and the grounding may reduce emissions in some cases, it should be kept in mind that grounding of the workpiece may cause users to sustain injuries or other electrical equipment in the environment to break down. In cases where necessary, the workpiece and the grounding connection can be made as a direct connection, but in some countries where direct connection is not permissible, the connection can be established using appropriate capacity elements in accordance with local regulations and ordinances.
- Screening and shielding of other devices and cables in the work area can prevent aliasing effects. Screening of the entire welding / cutting area can be evaluated for some specific applications.

Electromagnetic Field (EMF)



The electrical current passing through any conductor generates zonal electric and magnetic fields (EMF).

All operators must follow the following procedures to minimize the risk of exposure to EMF;

- In the name of reducing the magnetic field, the welding / cutting cables must be assembled and secured as far as possible with the joining materials (tape, cable ties etc.).
- The operator's body and head should be kept as far away from the welding / cutting machine and cables as possible,

The electrical current passing through any conductor generates zonal electric and magnetic fields (EMF).

All operators must follow the following procedures to minimize the risk of exposure to EMF;

- In the name of reducing the magnetic field, the welding / cutting cables must be assembled and secured as far as possible with the joining materials (tape, cable ties etc.).
- The operator's body and head should be kept as far away from the welding / cutting machine and cables as possible,
- Welding / cutting and electric cables should not be wrapped around the body of the machine in any way,
- The body of the machine should not get caught between the welding / cutting cables. The source cables must be kept away from the body of the machine, both being placed side by side,
- The return cable must be connected to the workpiece as close as possible to the work area,
- The welding / cutting machine should not rest against the power unit, ensconce on it and not work too close to it,
- Welding / cutting work should not be performed when carrying the wire supply unit or power unit.

EMF may also disrupt the operation of medical implants (materials placed inside the body), such as pacemakers. Protective measures should be taken for people who carry medical implants. For example, access limitation may be imposed for passers-by, or individual risk assessments may be conducted for welders. Risk assessment should be conducted and recommendations should be made by a medical professional for users who carry medical implants.

Protection



- Do not expose the machine to rain, prevent the machine from splashing water or pressurized steam.

Energy Efficiency



- Choose the welding / cutting method and welding machine for the welding work you are to perform.
- Select the welding / cutting current and/or voltage to match the material and thickness you are going to weld.
- If you have to wait for a long time before you start your welding / cutting work, turn off the machine after the fan has cooled it down. Our machines with smart fan control will turn off on their own.

Waste Procedure



- This device is not domestic waste. It must be directed to recycling within the framework of the European Union directive and national laws.
- Obtain information from your dealer and authorized persons about the waste management of your used machines.

WARRANTY FORM



Please visit our website www.magmaweld.com/warranty-form/wr for warranty form.

TECHNICAL INFORMATION

1.1 General Information

monoTIG 165ip inverter type Pulse TIG and MMA welding machine. All welding parameters can be adjusted via the control panel and monitored via digital displays. It is suitable to work with generators that will provide the appropriate power and frequency. (See machine specifications for detailed information.) It is fan cooled and thermally protected against overheating.

1.2 Machine Components

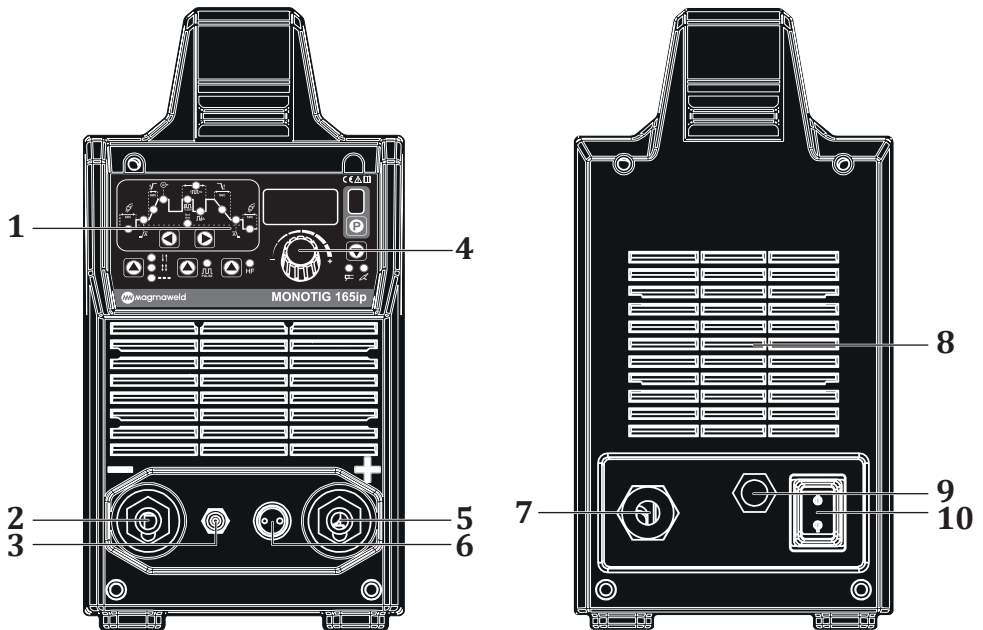


Figure 1 : Front and Rear View

- | | |
|--|---------------------------|
| 1- Control Panel | 6- Trigger Control Socket |
| 2- Welding and Ground Cable Socket (-) | 7- Supply Cable Inlet |
| 3- Gas Output | 8- Fan |
| 4- Adjustment Pot | 9- Gas Inlet |
| 5- Welding and Ground Cable Socket (+) | 10- On / Off Switch |

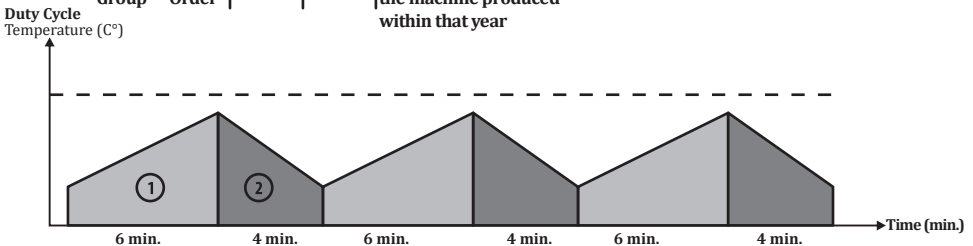
1.3 Product Label

MAGMA MEKATRONİK MAKİNE SAN. VE TİC. A.Ş. Organize Sanayi Bölgesi 5.Kısım Manisa-TÜRKİYE				
MONOTIG 165ip		S/N:		
		EN 60974-1/-10 Cl. A		
	---	5A / 10.2V - 160A / 16.4V		
		X ^(40°C) 30% 60% 100%		
		U ₀ =65V	I ₁	160A
U ₂	16.4V		14.5V	13.5V
	U ₁ =230V	I _{max} =21.8A	I _{int} =12A	
	---	5A / 20.2V - 160A / 26.4V		
		X ^(40°C) 20% 60% 100%		
		U ₀ =65V	I ₁	160A
U ₂	26.4V		23.7V	22.9V
	U ₁ =230V	I _{max} =32.2A	I _{int} =14.5A	
IP23		CE	EMC	UK CA

	Single Phase Transformer Rectifier	X	Duty Cycle
	TIG Welding	U ₀	Open Circuit Voltage
	MMA Welding	U ₁	Mains Voltage and Frequency
	Direct Current	U ₂	Rated Welding Voltage
	Mains Input 1-Phase Alternating Current	I ₁	Rated Mains Current
	Suitable for Operation at Hazardous Environments	I ₂	Rated Welding Current
S/N	Serial Number	S ₁	Rated Power
• S / N (Serial Number) Description		IP23	Protection Class

Machine ID				Production Year				Week				Sequence Number				
X	X	X	X	X	X	X	X	X	X	X	X	X	X	X	X	X

Machine Group	Model Order	Sequence number of the machine produced within that year



As defined in the standard EN 60974-1, the duty cycle rate includes a time period of 10 minutes. For example, if a machine specified as 250A at %60 is to be operated at 250A, the machine can weld / cut without interruption in the first 6 minutes of the 10 minutes period (zone 1). However, the following 4 minutes should be kept idle for the machine cool down (zone 2).

1.4 Technical Data

TECHNICAL DATA	UNIT	monoTIG 165ip
Mains Voltage (1 phase - 50-60 Hz)	V	230
Rated Power (MMA)	kVA	7.41 (%30)
Rated Power (TIG)	kVA	5.01 (%30)
Power Source Efficiency	%	MMA 85,23 / TIG 85,16
IDLE State Power Consumption	W	N/A (EN IEC 60974-1,Annex M)
Welding Current Range	ADC	5-160
Rated Welding Current	ADC	160 (%30)
Open Circuit Voltage	VDC	65
Welding Electrode Diameter Range	mm	2.00 - 3.25
Tungsten Electrode Diameter Range	mm	1.00 - 2.40
Dimensions (LxWxH)	mm	521 x 160 x 311
Weight	kg	10,6
Protection Class		IP23

1.5 Accessories

STANDARD ACCESSORIES	QTY	monoTIG 165ip
Workpiece Clamp and Cable	1	7905201603
Gas Hose	1	7907000002
Torch	1	7110018004
OPTIONAL ACCESSORIES	QTY	monoTIG 165ip
Electrode Clamp and Cable	1	7906201603
Gas Regulator	1	7020001004
Water Cooling Unit (CSP 40)	1	7910005200
Lava TIG 26 (8 m) Air Cooled TIG Torch	1	7110018008
Lava TIG 18W (4 m) Water Cooled TIG Torch	1	7110038004
Lava TIG 18W (8 m) Water Cooled TIG Torch	1	7110038008
TIG Accessory Set Air Cooled (Torch + Regulator)	1	7910000510
Water Cooled TIG Accessory Set (Torch + Regulator)	1	7910000530
Transport Trolley	1	7910000100



INSTALLATION

2.1 Delivery Control

Make sure that all the materials you have ordered have been received. If any material is missing or damaged, contact your place of purchase immediately.

Scope of supply;

- Welding machine and connected mains cable
- Warranty certificate
- User manual
- Workpiece clamp and cable
- Torch

In case of a damaged delivery, record a report, take a picture of the damage and report to the transport company together with a photocopy of the delivery note. If the problem persists, contact the customer service.

Symbols and their meanings on the device



Welding may be dangerous. Proper working conditions should be ensured and necessary precautions should be taken. Specialists are responsible for the machine and have to be equipped with the necessary equipment and those who are not relevant should be kept away from the welding area.



This device is not compatible with IEC 61000-3-12. If it is desired to connect to the low voltage mains used in homes, it is essential that the installer or the person who will operate the machine to make the electrical connection has information on the machine's connectivity. In this case the responsibility will be assumed by the person who will perform the installation or by the operator.



The safety symbols and warning notes on the device and in the operating instructions must be observed and the labels must not be removed.



Grids are intended for ventilation. The openings should not be covered in order to provide good cooling and no foreign objects should be inserted.

2.2 Installation and Operation Recommendations

- Lifting rings or forklifts should be used to move the machine. Do not lift the machine with the gas cylinder. When manually carrying portable welding machines, action must be taken in accordance with Occupational Health and Safety regulations. Necessary arrangements must be made in the workplace to ensure that the transportation process is carried out in accordance with health and safety conditions as much as possible. Precautions should be taken in accordance with the characteristics of the working environment and the requirements of the job. Place the machine on a hard, level, smooth surface where it will not fall or tip over
- If the ambient temperature exceeds 40°C, operate the machine at a lower current or a lower operating cycle.
- Avoid welding outdoors in windy and rainy weather circumstances. If welding is necessary in such cases, protect the welding area and the welding machine with a curtain and canopy. If you weld indoors, use a suitable fume extraction system. Use breathing apparatus if there is a risk of inhaling welding fumes and gas in confined spaces.
- When positioning the machine, make sure that materials such as walls, curtains, panels, etc. do not impede easy access to the controls and connections of the machine.
- Observe the duty cycle rates specified on the product label. Exceeding duty cycle rates can damage the machine and this may invalidate the warranty.
- Use the fuse that is compliant with your system.
- Secure the ground cable as close as possible to the welding area.
- Do not allow the welding current to pass through equipment other than the welding cables.
- The welding cables and the mains cable must not be wrapped in the machine housing during operation.
- When the gas cylinder is placed on the machine, immediately fasten the chain to secure the gas cylinder. If you do not place the gas cylinder on the machine, fasten it to the wall with a chain

2.3 Mains Plug Connection



For your safety, never use the mains cable of the machine without a plug.

No plug has been connected to the mains cable since there may different types of outlets available in plants, construction sites and workshops. A suitable plug must be connected by a qualified electrician. Make sure that the grounding cable is present. After connecting the plug to the cable, do not attach it to the outlet at this stage.

2.4 Connection to Mains



When plugging the power plug into the outlet, make sure that the on/off switch is set to "0".

Support should be received from authorized persons (qualified electricians, etc.). Check the phase voltage before connecting the machine to the mains. The plug must be plugged to the outlet once it is observed to be correct. Turn the coarse on/off switch to position "1" to start the machine. Make sure that the indicators and LEDs on the control panel are lit and the cooling fan is operating.

2.5 Connections for TIG Welding



Check for the correct mains voltage before connecting the machine to the mains.

When plugging the power plug into the outlet, make sure that the power switch is set to "0" in the turned-off position.

- Start the machine with the on/off switch and check whether the LEDs are on and the cooling fan is working.

Tungsten Electrode Recommended TIG

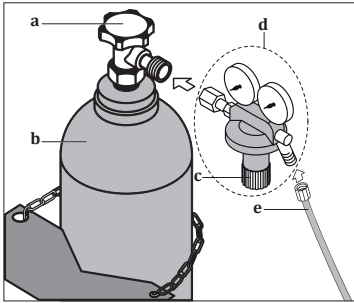
Diameter (mm)	Welding Current
1.6	30-130
2.0	45-180
2.4	70-240

2.5.1 Torch Connections

- Insert the TIG torch's plug into the negative pole welding socket and tighten it by turning to the right. Attach the torch trigger connector that came with the machine to the trigger control cables of the torch. Then connect the connector to the trigger control socket.
- Connect the gas hose of the torch to the gas outlet.
- Water cooling unit is an optional accessory for cooling the water cooled torches in demanding applications.

2.5.2 Gas Connections

- Secure the argon gas cylinder (**b**) with a chain.
- Use safe high quality regulators (**d**) and heaters approved by the standards to work safely and achieve the best results.
- Keep the gas cylinder valve (**a**) open for a while, so that possible sediment and particles are discharged.
- Connect the gas regulator to the gas cylinder, making sure that the thread on the gas outlet of the gas cylinder and the nut of the regulator overlap.
- Connect one end of the cylinder hose (**e**) to the gas regulator and the other end to the gas inlet at the rear of the machine and turn on the gas cylinder valve.
- Adjust the flow rate with the flow regulating valve (**c**).
- Make sure the connections are free of leakages.



Electrode Diameter (mm)	Nozzle Diameter (mm)	Welding Current (ADC)	Gas Flow (lt/sec)
1.0	6.3	30-70	6-8
1.6	9.5	30-150	6-8

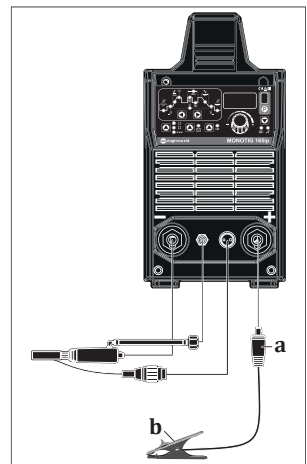
2.5.3 Trigger Socket Connections



- TIG Torch Connection; the trigger should be connected to the control socket with the terminals 1-2 as shown.

2.5.4 Grounding Clamps Connections

- Insert the grounding clamps cable plug (**a**) into the positive terminal socket and tighten it by turning right.
- To improve the welding quality, firmly connect the grounding pliers (**b**) to the workpiece as close as possible to the welding area.



2.5.5 Installation of Torch Consumables

- The ceramic gas nozzle (5) and the tungsten electrode (1) must be selected according to the operating current and the shape of the workpiece. Accordingly, the diameters of the collet (3) and the collet body (4) must match with the diameter of the tungsten electrode.
- Remove the back cap (2).
- Remove the existing electrode from the collet and match the diameter of the new tungsten electrode.
- Secure the collet to the torch.
- Secure the back cap firmly head firmly.

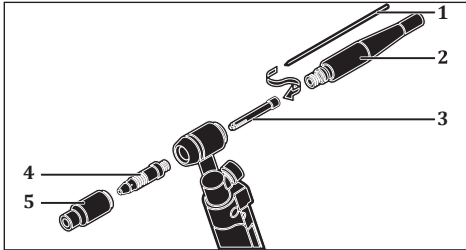


Figure 3 : Installation of Torch Consumables

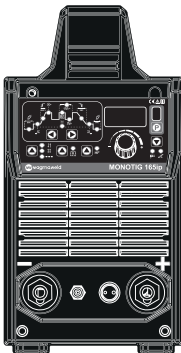
2.6 Connections for MMA Welding



Check for the correct mains voltage before connecting the machine to the mains.

When plugging the power plug into the outlet, make sure that the power switch is set to "0" in the turned-off position.

- Start the machine with the on/off switch and check whether the LEDs are on and the cooling fan is working.
- Connect the electrode clamp cable plug (c) and the grounding clamp cable plug (a) to the welding and ground cable sockets according to the electrode to be used and the polarity recommended by the electrode manufacturer.
- To improve the welding quality, firmly connect the grounding pliers (b) to the workpiece as close as possible to the welding area.

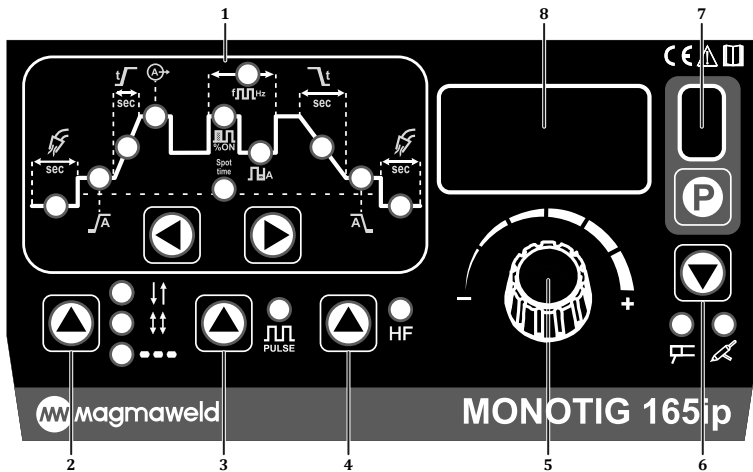


Electrode Diameter "mm"	Recommended Welding Current	
	Rutile	Basic
2.0	40-60 A	-
2.5	60-90 A	60-90 A
3.25	100-140 A	100-130 A
4.0	140-180 A	140-180 A

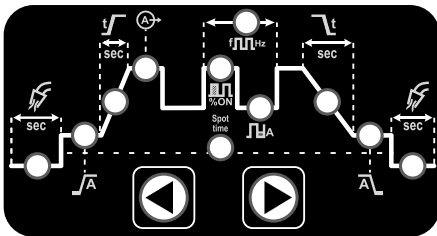


OPERATION

3.1 User Interface










1- TIG Curve



- Use the buttons to scroll through the parameters in the TIG curve. The led of the relevant parameter will light up depending on which parameter is selected.

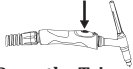
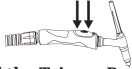
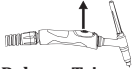


	Pre Gas Darkening - deformation may occur in the welding area, if the shielding gas comes later than the arc start. In order to prevent this deformation, you can adjust pre gas timing before arc. Furthermore, the life of the tungsten tip will be shortened. Initial gas function allows adjustment between 0 - 20 sec. By this setting, it is ensured that the gas reaches the welding area before starting welding.
	Start Current The welding arc will occur at the specified current value. The value is set in terms of %. Start current occurs below the specified % value of the main current and allows adjustment from 5 A - %100.
	Ramp Time Transition from the initial current to the welding current occurs within the specified time. Setting range is 0 - 10 sec.



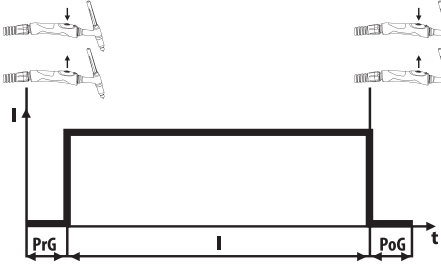
	<p>Main Current Actual current at which the welding will be made. It can be adjusted between 5 - 160 Amps in the monoTIG 165ip model and 5 - 200 Amps in the monoTIG 200ip model.</p>
	<p>Frequency Amplitude It is active when the pulse mode is selected. Determines the amplitude ratio between low current and high current in a pulse cycle. Indicates how long the set high current will be active within 1 period. Default factory setting is set to 50%. Allows setting between 1-99%. Low current is repair current and high current is main current. For example; when the duty cycle is set to 1%, let the main current be 100 A and the repair current be 50 A so this indicates that it will operate at 100 A in 1 ms and 50 A in 99 ms for 100 ms period.</p>
	<p>Pulse Frequency It is active when the pulse mode is selected. In pulse mode it determines the frequency of a pulse cycle consisting of welding current and low current. It can also be specified as the number of pulses per second. Allows setting from 0,1- 2000 Hz. The default factory setting is 5 Hz. and will be adjusted according to the workpiece thickness or the user request.</p>
	<p>Repair Current Adjusted in terms of %. Occurs below the specified % of the main current. It is used to correct errors during the welding process. Allows setting between 1-100%. It used only with the multi-function torch. Determines low current when pulse mode is active. Note Repair current is only used in 4 trigger modes. By pressing and pulling the trigger, welding is started. The trigger is pressed again and the repair current value is used during the time it is pressed. When you release your finger from the trigger, you can return to normal current and continue welding process. If you press and pull the trigger shortly, welding will terminate.</p>
<p>Spot time</p>	<p>Spot Time The welding will continue during the period specified at spot mode and the welding will stop at the end of that period. Setting range is 0,5 - 20 sec.</p>
	<p>End Ramp Time When terminating the welding, the transition time from the main welding current to the end current is set. Allows adjustment between 0-10 sec.</p>
	<p>Crater Filling (Final Current) When ending the welding, switches to the end current from the main welding current. In this current, welding seam is corrected and welding is terminated. Note Initial Current - Ramp Time - Main Current relation: The adjusted start current will be lower than the main current value. The arc starts with the initial current and the main current will gradually be increased during the set ramp time. This extends the service life of the tungsten tip and provides a more stable arc start.</p>
	<p>Final Gas After the welding is terminated, the shielding gas continues to flow for the time set. By this means, the life of the tungsten tip is extended by cooling and at the same time the welding pool is protected until it cools. Allows adjustment between 0 - 20 sec.</p>


2- Trigger Modes / Hot Start - Arc Force Selection



You can switch between 2/4 trigger and Spot modes with the touch-sensitive button while the TIG modes are selected you can also change Hot Start and Arc Force settings while the electrode modes are selected.

	<p>Hot Start (Ht)</p> <p>Machine provides up to 2 times higher current for easy ignition.</p> <ul style="list-style-type: none"> Hot Start will be set between 0-100% with the help of the current adjustment pot. If set to 0, it does not add any value on the main current at the first ignition, if set to 100 it adds a value increased by 100% on the main current. In milliseconds it reduces the amperes to main welding current. Factory setting is 20 %.
	<p>Arc Force (Ar)</p> <p>When welding the electrode, it prevents the arc interruption by increasing the current up to twice the main welding current in case the arc tends to interrupt.</p> <ul style="list-style-type: none"> Arc Force is between 0-100 %. Arc Force prevents the electrode from sticking by adjusting the current when the electrode tends to stick. The default factory setting is 20 %.
	<div style="display: flex; justify-content: space-around; align-items: center;"> <div style="text-align: center;">  <p>Press the Trigger</p> </div> <div style="text-align: center;">  <p>Hold the Trigger Pressed</p> </div> <div style="text-align: center;">  <p>Release Trigger</p> </div> </div> <p>In 2-Trigger mode;</p> <ul style="list-style-type: none"> Welding starts when the trigger is pressed, pre-gas is supplied ignites at minimum current, makes the launch ramp and continues welding in main current. When the trigger is released, it makes the end ramp, fills the crater in the crater filling current, makes the final gas time and completes the welding. <p>In 2-Trigger Mode, the TIG Curve operates as follows;</p> <ul style="list-style-type: none"> The initial gas time can be set from 0 sec to 20 sec. Factory default setting is 1 sec. The initial current (initial ignition current) is 30% of the main current. Up ramp time is between 0-10 sec. This determines the ramp from the ignition current to the main current. The end ramp determines the time from the main current to the end current. The end current is 30% of the main current. <div style="display: flex; align-items: center;"> <div style="margin-right: 20px;">  </div> <div> <p>PrG : Initial Gas Time I : Welding Current PoG : Final Gas Time</p> </div> </div> 

	<p>Example : If you have a 100 A initial current, the crater current (ending current) will be 30 A. Indicates that if the end ramp time is set to 1 sec, it will also decrease from the main current to the crater current for 1 sec.</p> <ul style="list-style-type: none"> • There is the final gas time after the crater current. The final gas time is set between 0-20 sec. This time may vary depending on the user's request. • In case of complaints such as darkening at the end of welding or deformation at tungsten tip , it will be necessary to increase the final gas time.
	<p>In 4-Trigger mode;</p> <ul style="list-style-type: none"> • When you press the trigger, pre gas comes out. Starts welding in ignition current after pre-gas is received. As long as the trigger is not released, the machine continues to weld in the ignition current, when the trigger is released, it makes the ramp for the set ramp time and continues welding at the main current. • When you press the trigger again and when you want to end the welding, the ramp time starts to advance and continues on the ramp as long as you press and hold the trigger. • When the ramp time is over, it will wait for crater filling and allow you to fill the crater. • After the crater is over, you can release your hand from the trigger. • Cools the workpiece during the final gas period and you will complete the welding process by this means. <p>In 4-Trigger Mode, the TIG Curve operates as follows;</p> <ul style="list-style-type: none"> • In 4-trigger mode all menus and settings in the 2-trigger mode shall apply in the same way. In 4-trigger mode, unlike 2-trigger modes, the repair current in the TIG curve will also be active. Repair current is only used with multi-function torch in 4-trigger mode. • It is used to correct errors during the repair current welding process. • The repair current is determined in terms of %. It is in the range of 1-100%. If the machine is 100 A and the repair current is 50 A, then this means the repair current is set to 50 A, which is 50% of the main current. The level of the high and low currents will be set here. <div style="display: flex; align-items: center;"> <div style="flex: 1;">  </div> <div style="flex: 1; padding-left: 20px;"> <p>PrG : Initial Gas Time I : Welding Current PoG : Final Gas Time</p> </div> </div> <p>Example : If the main current 100 A is set to 50 A and the repair current is set as 50 A and if the machine is using a multi-function torch, the machine uses 50 A when the machine is welding at 100 A and the repair current button is pressed over the torch. Thus, if there is a possible defect in the welding seam, the machine will be switched to low current and the required repair will be done in order to prevent drilling in the heated area. Afterwards, when the main current button is re-pressed over the torch, the machine recovers to 100 Amperes and the user may resume the welding process.</p>

	<p>Spot Mode</p> <p>It is active when TIG welding modes are selected. By pressing the trigger once, ignition starts with the main current and the welding continues during the set time and ends automatically at the end of this time.</p> <ul style="list-style-type: none"> • At the time the spot mode is selected, most zones are bypassed in the TIG curve and only 3 options can be set. Final gas time, main current and spot time. • Spot time is the welding time in the spot mode. <p>Example :</p> <p>Let the set time be 2 seconds: When you press the trigger, welding starts and continues for two seconds and you can finish welding automatically at the end of 2 seconds without releasing the trigger.</p>
---	---

3- Pulse Mode Selection



Provides switching to the Pulse function in TIG position. Pressing the button once will switch to active or off mode. The LED will light when active. When the pulse mode is active, the other related functions (duty cycle, frequency amplitude, pulse frequency, etc.) become selectable. Pulse function reduces deformation by reducing heat input to the material.

4- HF Mode Selection



Press the button once to switch to on or off position. The LED of the corresponding function will be active when lit.

High frequency

- Enables welding without touching the Tungsten electrode touching the material in TIG welding mode. By this means, the tip of the tungsten electrode will not be deformed.
- Active in TIG mode.
- If you want to switch off the HF mode on the machine and weld with the lift TIG mode, press the HF key to switch off the active HF.

5- Adjustment Button





The adjustment knob allows current setting in all welding methods and parameter changes in all functions. The setting will be made by turning right and left and the set values will be displayed on the digital display.

6- Welding Method Selection



You can choose between electrode and TIG welding methods with the touch sensitive button. The led of the relevant parameter will light up depending on which welding method is selected.

	Allows welding with rutile and basic electrodes.
	Allows DC TIG welding.

7- Program Memory



TIG Mode;

- With its 10 program memory feature, it can save your parameter settings. You can recall them as required by your work type. By this means, each time you change the work, you will not have to set parameters; the production standard will be preserved. Whichever memory (job) number is selected, all settings will automatically be saved in that number.
- Change the program number for different parameter entries.
- The display above the program button shows which parameter you have changed in the program.
- There are 10 programs available between 0 - 9.
- You can switch to the other program by pressing the program button once, if you press and hold, you can switch between the programs quickly.

MMA Mode;

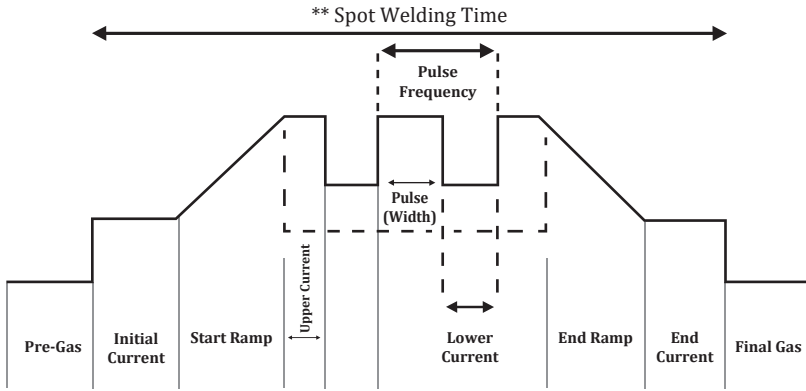
- (U) When you want to see the welding output voltage, you can see the voltage unit by pressing the button once. You can switch to the ampere unit by re-pressing the button and display the current value (A) on the digital display.

8- Digital Display



The set welding current, parameter values and error codes can be monitored visually on the digital display.

3.2 TIG Curve



The function statuses in on or off positions according to the modes are as follows.

Parameter	MonoTIG 165ip	Factory Setting	2 Position TIG		4 Position TIG		Pnt TIG	
			DC	PULSE	DC	PULSE	DC	PULSE
Pre-Gas Period	0 - 20 sec.	1 sec.	✓	✓	✓	✓		
Initial (Start) Current	5A - %100	%70	✓	✓	✓	✓		
Start Ramp Time	0.0 - 10 sec.	1 sec.	✓	✓	✓	✓		
Upper Current	5 - 160 A	85 A	✓	✓	✓	✓	✓	✓
Lower Current	5A - %100	40 A		✓	✓	✓		✓
Pulse Cycle Rate	%1 - %99	%50		✓		✓		✓
Pulse Frequency	0.1 - 2000 Hz	5 Hz		✓		✓		✓
End Ramp Time	0.0 - 10 sec.	1 sec.	✓	✓	✓	✓		
End Current	3A - %100	%30	✓	✓	✓	✓		
Final Gas Period	0 - 20 sec.	5 sec.	✓	✓	✓	✓		
Pnt (Spot) Welding Time	0.01 - 9 sec.	2 sec.					✓	✓

3.3 Machine Features

Thermal Protection

- It has thermal protection to prevent your machine from overheating and being damaged.
- If the IGBT block goes above 75 degrees, an error code will appear on the screen.

Program Memory

- 10 programs can be stored in the memory. You can record 10 programs between 0 - 9 .
- The changes will be saved. Press the P key to switch between programs.

Lift TIG

- Lift TIG function allows TIG to be made without damaging the Tungsten tip while rubbing it.

Voltage Protection

- Tolerates voltage fluctuations.
- Protection feature against false voltage and oscillating input voltage.
- After the ambient conditions have returned to normal, the machine functions will also be activated.

Operation With Generators

- Suitable for operation with generators. The kVA operating value should be determined by referring to the technical specifications.

Antistick

- Anti-Stick feature to prevent sticking.

3.4 Consumption Values

The tables below show average consumption values during welding under ideal conditions. These values may vary depending on usage and ambient conditions.

Average Shielding Gas Consumption During TIG Welding

Ceramic Nozzle No.	4	5	6	7	8	10
Average Consumption	6,5 l/min.	8 l/min.	10 l/min.	12 l/min.	12,5 l/min.	15,5 l/min.



MAINTENANCE AND SERVICE

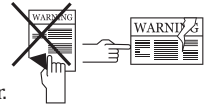
- Maintenance and repairs to the machine must be carried out by a qualified personnel. Our company will not be responsible for any accidents that may occur by unauthorized interventions.
- Parts that will be used during repair can be obtained from our authorized services. The use of original spare parts will extend the life of your machine and prevent performance losses.
- Always contact the manufacturer or an authorized service designated by the manufacturer.
- Never make interventions yourself. In this case the manufacturer warranty is no longer valid.
- Always comply with the applicable safety regulations during maintenance and repair.
- Before performing any work on the machine for repair, disconnect the machine's power plug from the power supply and wait for 10 seconds for the capacitors to discharge.

4.1 Maintenance



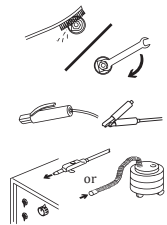
Daily Maintenance

- Check your torch, clamps and cables. Pay attention to the connections and the durability of the parts. Replace the damaged/defective parts with the new ones. Do not ever make additions to/repair the cables.
- Ensure adequate space for ventilation.
- The consumables on the TIG torch must be cleaned regularly. Should be replaced if necessary. It should be ensured that these materials are original products for a long-term use.
- Before starting welding, check the gas flow rate from the tip of the torch with a flow meter. If the gas flow is high or low, bring it to the appropriate level for the welding process.
- Check the coolant level, top up if there is a decrease in the coolant level. If the coolant is contaminated, drain the entire coolant tank and clean the coolant tank. Fill the tank with new coolant.



Every 6 Months

- Do not remove the warning labels on the device. Replace the worn/torn labels with the new ones. Labels can be obtained from the authorized service.
- Clean and tighten fasteners such as bolts and nuts.
- Check the electrode clamp and grounding clamp cables.
- Open the side covers of the machine and clean with low pressure dry air. Do not apply compressed air to electronic components at close distance.
- Check the socket to which the power supply plug of the machine is connected. If there is any looseness in the power cable connection points of the socket, remove such looseness. If there is an arc or expansion in the socket slots, replace them with new ones.
- Check the power supply plug of the machine. If there is any looseness in the power cable connection points in the electricity plug, remove such looseness. If there is an arc or deformation at the ends of the plug, replace it with a new one.



NOTE: The above mentioned periods are the maximum ones that should be applied if no problems are encountered in your device. Depending on the work load and contamination of your work environment, you can repeat the above processes more frequently.



Never operate the machine when covers are open.

4.2 Troubleshooting

The following tables contain possible errors to be encountered and their solutions.

Error	Solution
The machine will not turn on	<ul style="list-style-type: none"> • Make sure there is power connected to the machine • Check whether the mains connections are correct • Check the power supply fuses, mains cable and plug • Check the on/off switch • If you have completed all the checks and the problem still persists, contact the authorized service
Machine does not weld/does poor welding	<ul style="list-style-type: none"> • Make sure that the grounding clamps of the machine is connected to the workpiece • Make sure that the cables are secure and that the connection points are not worn • Make sure that the parameter and process selection are correct • Follow the steps below according to the process you have selected • Check the pole that the electrode must be connected to and the current value that must be set on the machine • Check that the gas flow is open, ensuring that the flow is correct • Make sure that the tungsten tip is clean • Make sure the welding torch is secure • If you have completed all the checks and the problem still persists, contact the authorized service
Tungsten melts or the nozzle breaks	<ul style="list-style-type: none"> • Check that the TIG torch (-) is connected to the pole. Connect if the torch is not connected to the (-) pole • If you have completed all the checks and the problem still persists, contact the authorized service
Bubbling or blackening is observed in TIG welding	<ul style="list-style-type: none"> • Check the gas flow rate from the tip of the torch with a flow meter • If the surface of the welded workpiece is dirty, clean the surface of the piece • Make sure you use the correct welding gas • Make sure you select the correct tungsten electrode • If you have completed all the checks and the problem still persists, contact the authorized service
HF (High Frequency) occurs but welding is difficult to start	<ul style="list-style-type: none"> • Check the initial current. Increase the initial current if it is too low • If you have completed all the checks and the problem still persists, contact the authorized service
HF (High Frequency) occurs, does not start welding	<ul style="list-style-type: none"> • Check that the TIG torch is connected to the (-) pole. Connect if the torch is not connected to the (-) pole • Check whether the grounding clamps of the machine is connected to the workpiece • If you have completed all the checks and the problem still persists, contact the authorized service
HF (High Frequency) does not start	<ul style="list-style-type: none"> • Check the pre-gas time. Reduce the pre-gas time if it is too high • If you have completed all the checks and the problem still persists, contact the authorized service
There is a liquid leak in the water cooling unit	<ul style="list-style-type: none"> • Contact the authorized service
There is no liquid flow in the water cooling unit	<ul style="list-style-type: none"> • Contact the authorized service

4.3 Error Codes

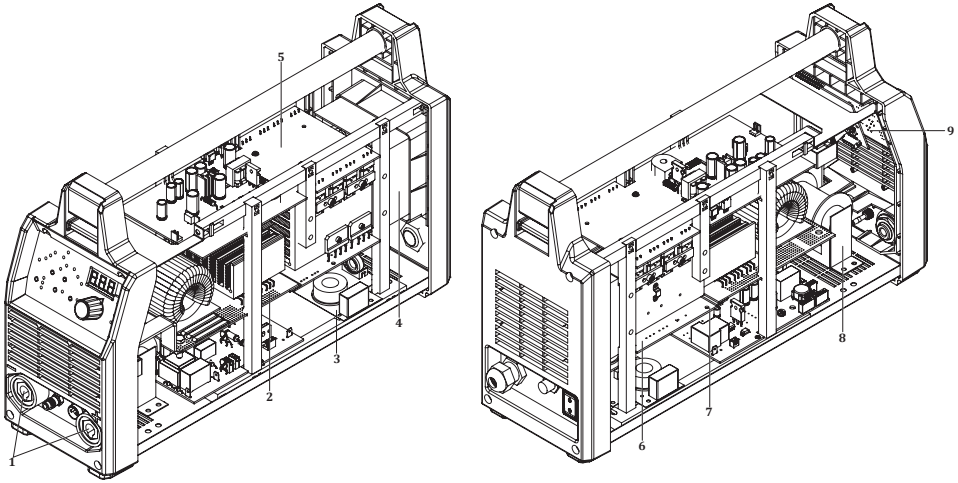
The list below contains all the error codes of the welding machines. Consider the error codes related with your machine.

Error Code	Error	Cause	Solution
E01	Thermal Protection (Primary)	<ul style="list-style-type: none"> The uptime of your machine may have been exceeded 	<ul style="list-style-type: none"> Allow the machine to cool down by waiting for a while. If the fault disappears, try to use the machine at lower amperage values If the problem continues, contact the authorized service
		<ul style="list-style-type: none"> Fan may not be working 	<ul style="list-style-type: none"> Check visually whether the fan is working or not If the problem continues, contact the authorized service
		<ul style="list-style-type: none"> The front of the air inlet-outlet ducts may be blocked 	<ul style="list-style-type: none"> Open the front of the air ducts If the problem continues, contact the authorized service
		<ul style="list-style-type: none"> The machine working environment may be too hot or stuffy 	<ul style="list-style-type: none"> Make sure that the working environment of the machine is not excessively hot or stuffy If the problem continues, contact the authorized service
E02	Mains Voltage Low	<ul style="list-style-type: none"> Mains voltage may have decreased 	<ul style="list-style-type: none"> Check the mains connection cables and the voltage. Make sure the correct voltage input is provided. If the mains voltage is normal, contact the authorized service
E03	Mains Voltage High	<ul style="list-style-type: none"> Mains voltage may have increased 	<ul style="list-style-type: none"> Check the mains connection cables and the voltage. Make sure the correct voltage input is provided. If the mains voltage is normal, contact the authorized service
E04	Current / Voltage Reading Error	<ul style="list-style-type: none"> There may be a hardware error 	<ul style="list-style-type: none"> Contact the authorized service
E05	Temperature Sensor Reading Error	<ul style="list-style-type: none"> There may be a hardware error 	<ul style="list-style-type: none"> Contact the authorized service
E06	Water Cooling Unit Error	<ul style="list-style-type: none"> There may be an error in the water cooling unit 	<ul style="list-style-type: none"> Check water cooling unit connector and torch inlets/outlets Make sure there is water circulation If the problem continues, contact the authorized service
E07	System Error	<ul style="list-style-type: none"> There may be a hardware error 	<ul style="list-style-type: none"> Contact the authorized service
E08			
E09			
E10	Torch Connection Error	<ul style="list-style-type: none"> The torch or torch connections may be faulty 	<ul style="list-style-type: none"> Check torch and torch connections If the problem continues, contact the authorized service
E11	System Error	<ul style="list-style-type: none"> There may be a hardware error 	<ul style="list-style-type: none"> Contact the authorized service
E12			
E13	Wire Feeder Error	<ul style="list-style-type: none"> There may be an error in wire feeding 	<ul style="list-style-type: none"> Check wire basket, reel / reel press and torch connections If the problem continues, contact the authorized service

Error Code	Error	Cause	Solution
E14	System Error	<ul style="list-style-type: none"> There may be a hardware error 	<ul style="list-style-type: none"> Contact the authorized service
E15	Remote Control Communication Error	<ul style="list-style-type: none"> There may be an error in the remote control connections 	<ul style="list-style-type: none"> Check remote control connections If the problem continues, contact the authorized service
E16	System Error	<ul style="list-style-type: none"> There may be a hardware error 	<ul style="list-style-type: none"> Contact the authorized service
E17			
E18			
E19	Thermal Protection (Secondary)	<ul style="list-style-type: none"> The uptime of your machine may have been exceeded 	<ul style="list-style-type: none"> Allow the machine to cool down by waiting for a while. If the fault disappears, try to use the machine at lower amperage values If the problem continues, contact the authorized service
		<ul style="list-style-type: none"> Fan may not be working 	<ul style="list-style-type: none"> Visually check if the fan is working If the problem continues, contact the authorized service
		<ul style="list-style-type: none"> The front of the air inlet - outlet ducts may be blocked 	<ul style="list-style-type: none"> Unblock the front of the air ducts If the problem continues, contact the authorized service
		<ul style="list-style-type: none"> The machine working environment may be too hot or stuffy 	<ul style="list-style-type: none"> Make sure that the working environment of the machine is not excessively hot or stuffy If the problem continues, contact the authorized service
E20	System Error	<ul style="list-style-type: none"> There may be a hardware error 	<ul style="list-style-type: none"> Contact the authorized service
E21			
E22			
E23			
E26	Inlet Pressure Low	<ul style="list-style-type: none"> Inlet pressure may be low 	<ul style="list-style-type: none"> Check your air / gas connections, make sure that the inlet pressure is appropriate. If the inlet pressure is normal, contact the authorized service
E27	Torch Shield Not Installed	<ul style="list-style-type: none"> Torch shield may not be installed or properly fitted 	<ul style="list-style-type: none"> Make sure that the torch shield is correctly fitted to the machine If the problem continues, contact the authorized service
E28	System Error	<ul style="list-style-type: none"> There may be a hardware error 	<ul style="list-style-type: none"> Contact the authorized service
E29	DC Busbar Voltage Low	<ul style="list-style-type: none"> Mains voltage may have decreased 	<ul style="list-style-type: none"> Check the mains connection cables and the voltage. Make sure the correct voltage input is provided. If the mains voltage is normal, contact the authorized service
E30	DC Busbar Voltage High	<ul style="list-style-type: none"> Mains voltage may have increased 	<ul style="list-style-type: none"> Check the mains connection cables and the voltage. Make sure the correct voltage input is provided. If the mains voltage is normal, contact the authorized service
E31	System Error	<ul style="list-style-type: none"> There may be a hardware error 	<ul style="list-style-type: none"> Contact the authorized service

ANNEX

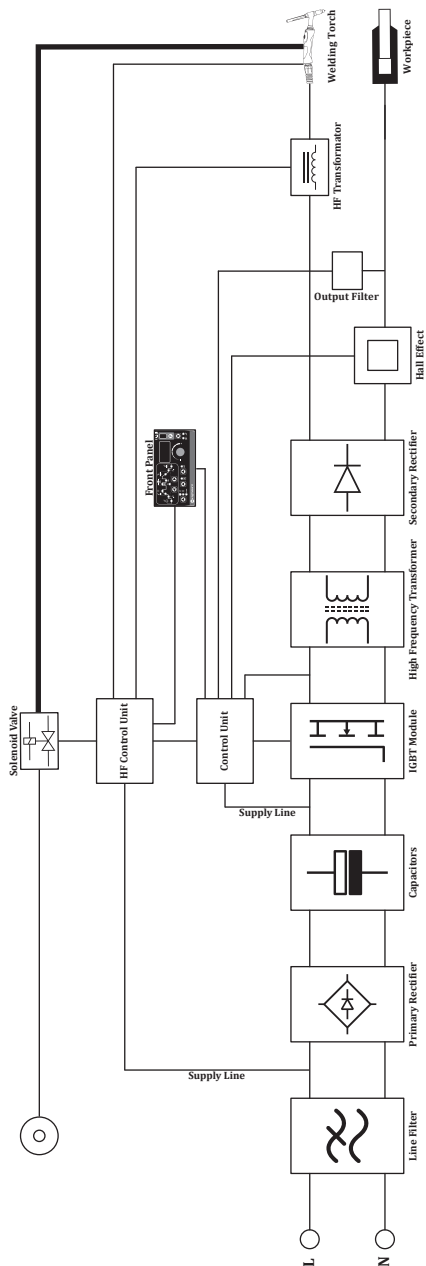
5.1 Spare Part List



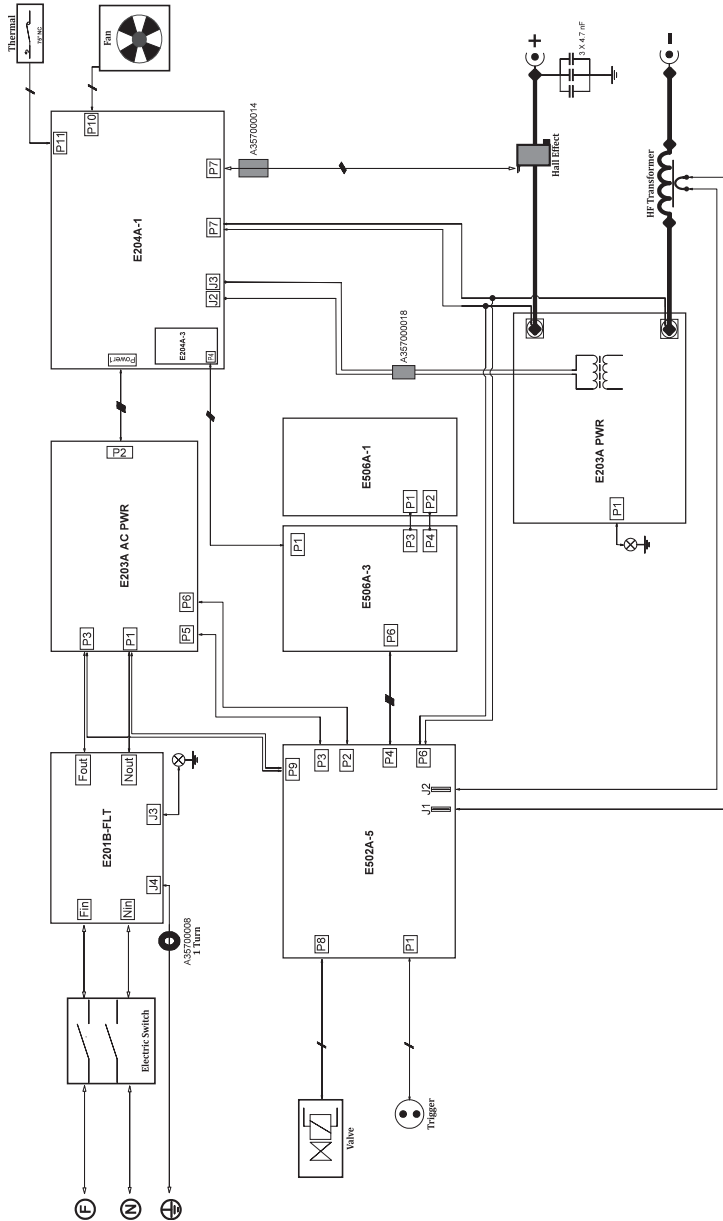
NO	DEFINITION	monoTIG 165ip
1	Welding Socket	A377900104
2	Electronic Card E203A PWR/200TIG	K405000176
3	Electronic Card E201B-FLT TIG	K405000295
4	Compact Fan	A250200026
5	Electronic Card M.TIG 2001 E204A-GR	K405000191
6	Electronic Card E203A AC PWR	K405000226
7	Electronic Card E505A-3	K405000185
8	HF Transformer	A490900023
9	Electronic Card E506A-1,3	Y524000046
	Hall Effect Sensor	A830900004

5.2 Connection Diagrams

Block Diagram



Circuit Diagram



PRODUCT INFORMATION**Model****Serial Number****MANUFACTURER****Name**

MAGMA MEKATRONİK MAKİNE SANAYİ VE TİCARET A.Ş.

Address

Organize Sanayi Bölgesi 5. Kısım MANİSA

Phone / E-mail

+90 236 226 27 00 / info@magmaweld.com

PURCHASE INFORMATION**Dealer Name****City / Country****Phone / E-mail****Purchase Date****CUSTOMER INFORMATION****Company Name****City / Country****Phone / E-mail****Contact Name****SERVICE INFORMATION (if applicable)****Company Name****Technician's Name****Commissioning Date**
(Warranty Start Date)

Please visit our web site www.magmaweld.com/warranty-terms/wt for warranty terms.

 **SOMMAIRE**

	CONSIGNES DE SÉCURITÉ	36
1	SPÉCIFICATIONS TECHNIQUES	
1.1	Explications Générales	42
1.2	Composants	42
1.3	Étiquette du Produit	43
1.4	Caractéristiques Techniques	44
1.5	Accessoires	44
2	INSTALLATION	
2.1	Considérations Relatives à la Réception du Poste de Soudage	45
2.2	Conseils d'Installation et de Fonctionnement	45
2.3	Branchements Électriques	46
2.4	Connexion Au Secteur	46
2.5	Connexions pour le Soudage TIG	46
2.5.1	Connexion de la Torche	46
2.5.2	Connexions de Gaz	47
2.5.3	Connexions de Prise de Déclenchement	47
2.5.4	Connexions Des Pinces de Mise à La Terre	47
2.5.5	Montage Des Consommables de la Torche	48
2.6	Branchements pour la Poste de Soudage à l'Électrode Enrobée	48
3	UTILISATION	
3.1	Interface Utilisateur	49
3.2	Courbe de Soudage TIG	55
3.3	Caractéristiques de la Poste	56
3.4	Valeurs de Consommation	56
4	MAINTENANCE ET DÉFAILLANCES	
4.1	Maintenance	57
4.2	Dépannage	58
4.3	Codes d'incident	59
5	ANNEXE	
5.1	Listes des Pièces Détachées	62
5.2	Schémas de Connexion	63

✓ CONSIGNES DE SÉCURITÉ

Respectez toutes les consignes de sécurité du manuel!

Informations sur la Sécurité



- Les pictogrammes de sécurité utilisés dans le présent manuel sont destinés à identifier les dangers potentiels.
- Si un pictogramme de sécurité apparaît dans le présent manuel, cela signifie qu'il existe un risque de blessure et que les dangers éventuels doivent être écartés en lisant attentivement les explications fournies.
- Le propriétaire de la poste est responsable d'empêcher les personnes non autorisées d'accéder à l'équipement.
- Toute personne appelée à travailler avec cette poste doit posséder l'expérience en soudage / coupage ou avoir terminé avec succès la formation requise, lire le présent manuel d'utilisation avant de travailler et se conformer à tout moment aux consignes de sécurité.

Pictogrammes de Sécurité



ATTENTION

Indique une situation potentiellement dangereuse qui pourrait causer des blessures ou des dommages. Le fait de ne pas prendre de précautions peut causer des blessures ou des pertes ou dommages matériels.



REMARQUE

Indique des informations et des avertissements concernant l'utilisation de la poste.



DANGER

Indique une situation imminente dangereuse qui, si elle n'est pas évitée, entraînera une blessure grave ou mortelle.

Prise de connaissance des consignes de sécurité



- Veuillez lire attentivement le présent manuel d'utilisation, les étiquettes et les consignes de sécurité se trouvant sur la poste.
- Assurez-vous que les étiquettes d'avertissement sur la poste sont en bon état. Remplacez les étiquettes manquantes ou endommagées.
- Veuillez prendre connaissance des informations concernant l'utilisation et les procédés de vérification de votre poste.
- Utilisez votre poste dans des environnements de travail appropriés.
- Des modifications inappropriées à votre poste peuvent avoir un impact négatif sur la sécurité de fonctionnement et la durée de vie de votre poste.
- Le fabricant ne pourra pas être tenu responsable des conséquences du fonctionnement de l'appareil en dehors des conditions préconisées.

L'électrisation peut entraîner la mort



Veuillez à ce que les procédures d'installation soient conformes aux normes nationales en matière d'électricité et aux autres règlements pertinents. L'installation de la poste doit être effectuée par des personnes autorisées.

- Porter un tablier de travail et des gants de protection secs offrant une bonne isolation. Ne jamais utiliser des gants et des tabliers de travail mouillés ou endommagés.
- Porter des vêtements de protection ignifuges contre le risque de brûlure. Les vêtements utilisés par l'opérateur doivent être protégés contre les étincelles, les projections et le rayonnement d'arc.
- Ne travaillez pas seul. Soyez sûr d'avoir quelqu'un qui peut vous aider en cas de danger dans votre lieu de travail.
- Ne touchez pas l'électrode avec la main nue. Ne laissez pas être en contact la pince d'électrode ou l'électrode avec quelqu'un ou avec un objet alimentaire.
- Ne touchez aucun composant électrique.
- Ne touchez pas l'électrode si vous êtes en contact avec l'électrode reliée à la surface de travail, au plancher ou à une autre poste.
- Vous pouvez vous protéger d'une électrisation potentielle en vous isolant de la surface de travail et du sol. Utilisez un matériau isolant non inflammable, électriquement isolant, sec et non endommagé, suffisamment grand pour couper le contact de l'opérateur avec la surface de travail.
- Ne connectez pas plus d'une électrode au porte-électrode.
- Placez bien la pince de masse métal-sur-métal sur votre objet de travail ou sur la table à souder.

- Vérifiez la torche avant d'utiliser la poste. Assurez-vous que la torche et ses câbles sont en bon état. Assurez-vous de remplacer une torche endommagée ou usée.
- Ne pas laisser toucher les deux pinces de masse connectés à deux différents postes. Ceci est dangereux vu qu'il y aura deux tensions en circuit ouvert.
- Gardez le poste éteint et déconnecter les câbles de soudage quand vous vous ne travaillez pas.
- Avant de réparer la poste, retirez toutes les connexions d'alimentation et / ou les connecteurs ou éteignez la poste.
- Soyez prudent lorsque vous utilisez un long câble secteur.
- Soyez sur que toutes les connexions sont bien serrées, propres et seches.
- Soyez sur que les câbles sont secs, sans graisses et protégés du métal chaud et des étincelles.
- Fil dénudé peut tuer. Contrôler fréquemment vos câbles de soudage. S'il y a des câbles endommagés ou non isolés, réparer ou échanger immédiatement les câbles.
- Isoler le câble de masse quand il n'est pas connecté à un objet de travail.
- Assurez-vous que la mise à la terre de la ligne d'alimentation est correctement connectée.
- N'utilisez pas le courant alternatif (AC) dans des endroits humides, mouillés ou confinés. Eviter également les endroits où il y aura un risque de chute.
- Le courant alternatif doit être utilisé uniquement s'il est nécessaire pour le procès de soudage.
- Si le courant alternatif est obligatoire pour votre travail, utilisez (si existe) votre télécommande pour régler votre poste.

Les précautions additionnelles sont nécessaires si une des conditions hasardeuses ci-dessous existe :

- Dans des endroits humides ou si vos habilles sont mouillés,
- Sur les structures métalliques comme les escaliers, les grilles ou les échafauds.,
- Dans des positions comme assises, à genoux ou allongées,
- Quand il y a un grand risque d'accident ou d'un contact inévitable avec l'objet de travail ou la masse.

Pour les conditions mentionnées ci-dessus, utilisez les équipements ci-dessous dans l'ordre de présentation :

- Un poste MIG semi-automatique en courant continu (DC),
- Un poste à souder MMA en courant continu (DC),
- Un poste en courant continue ou alternatif avec la tension réduit à circuit ouvert (VRD).

Procédures à suivre en cas de l'électrocution



- Arrêtez le courant électrique.
- Utilisez des matériaux non conductibles comme le bois sec pour couper le contact de la victime avec les câbles ou les endroits alimentés.
- Appelez les services de secours.

Si vous avez suivi une formation aux premiers secours ;

- Si la victime ne respire plus, après avoir coupé le contact de la victime avec le courant, effectuez immédiatement la réanimation cardiorespiratoire (RCP). Continuez la RCP jusqu'au moment où la victime respire de nouveau ou les secours arrivent.,
- Utilisez un défibrillateur automatique (DEA) selon les instructions indiquées dessus.
- Traiter une brûlure électrique comme une brûlure thermique. Appliquez des compresses stériles et froides.

Les pièces mobiles peuvent causer des blessures



- Éloignez-vous des objets en mouvement.
- Gardez tous les capots de protection tels que les portes, les panneaux, les portes des postes et des appareils fermés et verrouillés.
- Portez des chaussures à coque métallique à protection contre le risque de chute d'objets lourds.

La fumée et les gaz peuvent être nocifs pour votre santé



L'inhalation prolongée de la fumée et du gaz générés par le soudage / coupage et le découpage est très nocive pour la santé.

- La sensation de brûlure et l'irritation au niveau des yeux, des muqueuses nasales et des voies respiratoires sont des symptômes d'une ventilation inadéquate. Dans ce cas, veuillez augmenter immédiatement le niveau de ventilation de la zone de travail et arrêter le processus de soudage / coupage si le problème persiste.
- Créez un système d'aération naturelle ou artificielle dans la zone de travail.
- Utilisez un système d'absorption de fumée approprié à l'endroit où le soudage / coupage et le découpage sont effectués. Si nécessaire, installez un système adéquat pour éliminer les fumées et les gaz accumulés dans l'ensemble de l'atelier. Utilisez un système de filtration approprié pour éviter de polluer l'environnement lors du rejet.
- Si vous travaillez dans des espaces étroits ou confinés, ou que vous soudez du plomb, du béryllium, du cadmium, du zinc, des matériaux revêtus ou peints, utilisez une protection respiratoire autonome en plus des précautions susmentionnées.

- Si les bouteilles de gaz sont groupées dans une zone séparée, assurez-y une bonne ventilation, gardez les soupapes principales fermées lorsque les bouteilles de gaz ne sont pas utilisées, et surveillez les fuites de gaz éventuelles.
- Les gaz protecteurs tels que l'argon étant plus denses que l'air, ils peuvent être inhalés à la place de l'air s'ils sont utilisés à l'intérieur. Cela présente également un risque pour votre santé.
- Ne soudage / coupage pas dans des environnements contenant des vapeurs d'hydrocarbures chlorés libérées lors de la lubrification ou de la coloration.
- Certaines pièces soudées / coupées nécessitent une ventilation spéciale. Aération spéciale Les règles de sécurité des produits qui le nécessitent doivent être lues attentivement. Le masque à gaz doit être porté Dans de tels cas, un masque à gaz approprié doit être porté.

La lumière émise par l'arc peut endommager vos yeux et votre peau



- Pour protéger vos yeux et votre visage, utilisez un masque et un écran de protection en verre appropriés (4 à 13 selon la norme EN 379).
- Protégez les autres parties nues de votre corps (bras, cou, oreilles, etc.) contre ces rayons à l'aide des vêtements de protection adéquats.
- Munissez votre plan de travail d'écrans anti-flammes au niveau des yeux et accrochez des panneaux d'avertissement afin que les gens autour de vous ne soient pas exposés aux rayons de l'arc et métaux chauds.
- Cette poste n'est pas destinée à chauffer des tuyaux gelés. Ce procédé provoquera une explosion, un incendie ou des dommages à votre installation.

Les étincelles et les protections de pièces peuvent blesser vos yeux



- Les procédés tels que le soudage / coupage, le meulage, le brossage de la surface peuvent générer des étincelles et des projections de particules métalliques. Portez des lunettes de protection homologuées munies de bordures de protection sous le masque de soudure afin de prévenir les blessures éventuelles.

Les surfaces chaudes peuvent causer de brûlures graves



- Ne touchez pas les pièces chaudes à mains nues.
- Avant d'intervenir sur les pièces de la poste, attendez un certain temps pour les laisser refroidir.
- Si vous devez manipuler les pièces chaudes, portez des outils appropriés, gants de soudage / coupage à isolation thermique et vêtements résistant au feu.

Le bruit peut altérer votre capacité d'ouïe



- Le bruit créé par certains équipements et processus peut altérer l'ouïe.
- Si le niveau de bruit est élevé, portez des protège-oreilles agréés.

Le fil de soudage peut causer des blessures



- Ne maintenez pas la torche contre une partie du corps, d'autres personnes ou tout autre métal lors du dévidage du fil de soudage.
- Lors de l'ouverture manuelle du fil de soudage à partir de la bobine - en particulier pour les diamètres minces - le fil peut être éjecté de votre main comme un ressort, ce qui pourrait vous blesser ou blesser des tiers, protégez particulièrement vos yeux et votre visage lors de cette manipulation.

Le procédé de soudage / coupage peut entraîner des incendies et des explosions



- Ne jamais souder à proximité de matériaux inflammables. Un incendie ou des explosions peuvent se produire.
- Enlevez ces matériaux de l'environnement avant de commencer à soudage / coupage ou couvrez-les avec des couvertures protectrices pour éviter les brûlures.
- Les règles nationales et internationales spécifiques s'appliquent dans ces domaines.

- Ne procédez à aucune opération de soudage / coupage e ni de découpage sur des tubes ou des tuyaux entièrement fermés.
- Avant de soudage / coupage des tubes et des conteneurs fermés, ouvrez-les, videz-les complètement, ventilez-les et nettoyez-les. Prenez toutes les précautions nécessaires lors d'un soudage / coupage dans ces types d'endroits.
- Ne soudez pas les tubes ou les tuyaux destinés aux substances susceptibles de provoquer une explosion, un incendie ou d'autres réactions, même s'ils sont vides.
- L'équipement de soudage / coupage chauffe. Par conséquent, ne le placez pas sur des surfaces qui peuvent facilement être brûlées ou endommagées !

- Les étincelles générées lors du soudage peuvent provoquer un incendie. Par conséquent, gardez un extincteur, de l'eau, du sable et autres matériaux à portée de la main.
- Utilisez des clapets anti-retour, régulateurs de gaz et vannes sur les circuits de gaz inflammables, explosifs et pressurisés. Assurez-vous de leurs vérifications périodiques soient effectuées et qu'elles fonctionnent correctement.

La maintenance des postes et appareils par des personnes non autorisées peut causer des blessures



- Les équipements électriques ne doivent pas être réparés par des personnes non autorisées. Les erreurs éventuelles peuvent entraîner des blessures graves, voire mortelles, lors de l'utilisation.
- Les éléments du circuit de gaz fonctionnent sous pression; l'intervention de personnes non autorisées peut causer des explosions et des blessures graves pour les utilisateurs.
- Il est recommandé d'effectuer la maintenance technique de la poste et de ses unités auxiliaires au moins une fois par an.

Soudage / Coupage dans des endroits confinés



- Effectuez les opérations de soudage / coupage et de découpage dans des espaces confinés et de petits volumes et en compagnie d'une autre personne.
- Évitez autant que possible le soudage / coupage et le découpage dans des endroits fermés.

Le fait de ne pas prendre les précautions nécessaires lors du transport peut causer des accidents



- Prenez toutes les précautions nécessaires pour le transport de la poste. Les zones à transporter; les équipements à utiliser pour le transport et les conditions physiques et la santé de la personne chargée de la manutention doivent être conformes au processus de transport.
- Certaines postes étant extrêmement lourdes, il est important de veiller à ce que les précautions nécessaires en matière de sécurité environnementale soient prises pour la manutention.
- Si la poste de soudage doit être utilisée sur une plateforme, la capacité de charge de la plateforme doit être vérifiée.
- En cas d'utilisation d'un véhicule (chariot, chariot élévateur à fourche, etc.) lors du transport de la poste, assurez-vous que le véhicule et les accessoires d'élingage et d'arrimage (élingues, sangles d'arrimage, boulons, écrous, roues, etc.) reliant la poste au véhicule sont intacts.
- S'il s'agit d'un transport manuel, assurez-vous que les accessoires d'élingage et d'arrimage (élingues, sangles d'arrimage, etc.) et leurs connexions soient bien fixées.
- Afin de garantir les conditions de transport nécessaires, consultez les règles de l'Organisation Internationale du Travail sur le poids du transport et les réglementations en vigueur dans votre pays.
- Utilisez toujours des poignées ou des anneaux pour le déplacement du bloc d'alimentation. Ne tirez jamais sur les torches, les câbles ou les tuyaux. Transportez toujours les bouteilles de gaz séparément.
- Avant de transporter le matériel de soudage / coupage et de découpe, débranchez toutes les connexions intermédiaires, puis soulevez et transportez les petites pièces séparément en les tenant par leurs poignées, et les grandes à l'aide d'un équipement de manutention approprié tel que des anneaux de transport ou des chariots élévateurs.

La chute de pièces peut causer des blessures



Ne pas positionner correctement l'alimentation électrique ou tout autre équipement peut causer des blessures graves et des dommages matériels.

- Installer votre poste sur des sols et des plateformes avec une inclinaison maximale de 10° pour éviter les chutes et les renversements. Préférez les zones immobiles, mais vastes, facilement ventilées et sans poussière, qui ne génèrent pas le flux de matériaux. Disposez les câbles et tuyaux de telle manière que personne ne puisse les piétiner ou trébucher dessus. Pour éviter que les bouteilles de gaz ne se renversent, fixez-les sur la plate-forme pour les postes équipées d'une plate-forme à gaz adaptée à la bouteille et sur le mur à l'aide d'une chaîne pour les installations fixes afin d'éviter tout basculement.
- Les opérateurs doivent facilement et rapidement accéder aux paramètres de commande et connexions de la poste.

Une utilisation excessive provoque la surchauffe de la poste



- Laissez la poste refroidir en fonction des cycles de fonctionnement.
- Réduisez le courant ou le taux de cycle de fonctionnement avant de recommencer le soudage.
- Ne bloquez pas les entrées de ventilation de la poste.
- Ne placez pas de filtre sur les entrées de ventilation de la poste sans l'approbation du fabricant.

Le soudage à l'arc peut causer des interférences électromagnétiques



Cet appareil n'est pas conforme à la norme CEI 61000-312. Si vous souhaitez vous connecter au réseau basse tension utilisé dans les maisons, l'installateur ou la personne qui utilisera la machine doit être familiarisé avec la connexion de la machine, dans ce cas la responsabilité appartient à l'opérateur.

- Assurez-vous que la zone d'exploitation soit conforme à la compatibilité électromagnétique (CEM). Les interférences électromagnétiques qui peuvent se produire lors du soudage / coupage ou du découpage peuvent causer des effets indésirables sur vos appareils électroniques et votre secteur. Les effets qui peuvent se produire au cours du processus sont sous la responsabilité de l'opérateur.
- Si des interférences se produisent, des mesures supplémentaires peuvent être prises pour assurer la conformité, telles que l'utilisation de câbles courts, l'utilisation de câbles blindés, le transport de la machine à souder vers un autre endroit, l'enlèvement des câbles du dispositif et/ou de la zone affectée, l'utilisation de filtres, ou la protection CEM de la zone de travail.
- Effectuez les opérations de soudage / coupage le plus loin possible (100 m) de vos appareils électroniques sensibles pour prévenir les dommages CEM potentiels.
- Assurez-vous que votre machine de soudage et de découpe est installée et placée conformément aux consignes d'utilisation.

Évaluation de la compatibilité électromagnétique du champ de fonctionnement



Conformément à l'article 5.2 de CEI 60974-9 ;

Avant d'installer la machine de soudage / coupage et de découpe, le responsable du site et / ou l'opérateur doit vérifier les interférences électromagnétiques éventuelles dans l'environnement. Les conditions suivantes sont à considérer ;

- Autres câbles d'alimentation, câbles de commande, câbles de signalisation et câbles téléphoniques au-dessus, au-dessous et à côté de la machine et du matériel de soudage / coupage,
- Émetteurs et récepteurs de radio et de télévision,
- Matériel informatique et autre matériel de contrôle,
- Équipements de sécurité critiques, par exemple protection de l'équipement industriel,
- Appareils médicaux des personnes à proximité, tels que stimulateurs cardiaques et appareils auditifs,
- Équipement utilisé pour la mesure ou l'étalonnage,
- Immunité des autres équipements dans l'environnement. L'opérateur doit s'assurer que tout autre matériel utilisé dans l'environnement soit compatible. Cela peut nécessiter des mesures de protection supplémentaires,
- Les limites de la zone d'inspection peuvent se varier en fonction du temps pendant lequel le procédé de soudage / coupage ou d'autres activités seront effectués pendant la journée, de la taille de l'environnement, de la structure du bâtiment et d'autres activités.

En plus de l'évaluation des conditions de la zone, l'évaluation de l'installation des appareils peut également être nécessaire pour résoudre l'effet perturbateur. Si nécessaire, des mesures sur site peuvent également être prises pour confirmer l'efficacité des mesures d'atténuation.

(Source: CEI 60974-9)

Moyens pour réduire les interférences



- La machine doit être branchée à un réseau électrique tel que recommandé et par une personne autorisée. En cas d'interférence, des mesures supplémentaires telles que le filtrage du réseau peuvent être mises en place. L'alimentation d'équipement de soudage à l'arc fixe doit être effectuée à partir du tube métallique ou un câble blindé équivalent. Une connexion et un bon contact électrique doivent être assurés entre le blindage et le boîtier de l'alimentation.
- L'entretien de routine recommandé pour la machine doit être effectué. Lors de l'utilisation de la machine, tous les capots de protection doivent être fermés et / ou consignés. Aucun changement ni modification autre que les réglages standards ne doivent être effectués sur la machine sans l'approbation écrite du fabricant. Sinon, l'opérateur sera responsable de toutes les conséquences.
- Les câbles de soudage / coupage doivent être aussi courts que possible. Le cheminement des câbles sur le sol de la zone de travail doit être parallèle. Les câbles de soudage ne doivent en aucun cas être enroulés autour du corps.
- Un champ magnétique se forme dans la machine lors du soudage / coupage. Cela peut amener la machine à tirer les pièces métalliques sur elle-même. Afin d'éviter ce phénomène, assurez-vous que les matériaux métalliques soient à une distance de sécurité et sécurisés. L'opérateur doit être isolé de tous ces matériaux métalliques interconnectés.

- Toutefois, dans certains pays où la connexion directe n'est pas autorisée, la connexion peut être établie à l'aide d'éléments de capacité appropriés, conformément aux réglementations locales en vigueur. Le blindage et la protection d'autres périphériques et câbles dans la zone de travail peuvent prévenir les effets perturbateurs. Le cas échéant, la connexion entre la pièce à usiner et la terre peut être réalisée sous forme de connexion directe. Toutefois, dans certains pays où la connexion directe n'est pas autorisée, la connexion peut être établie à l'aide d'éléments de capacité appropriés, conformément aux réglementations locales en vigueur.
- Le blindage et la protection d'autres périphériques et câbles dans la zone de travail peuvent prévenir des effets perturbateurs. Le blindage de toute la zone de soudage / coupage peut être évalué pour certaines applications spécifiques.

Magnétique électromagnétique (CEM)



Le courant électrique passant par n'importe quel conducteur crée des champs électriques et magnétiques régionaux (CEM). Les opérateurs doivent suivre les procédures suivantes afin de minimiser les risques engendrés par l'exposition aux CEM du circuit de soudage :

- Afin de réduire le champ magnétique, les câbles de soudage / coupage doivent être rassemblés et fixés autant que possible avec des équipements de fixation (ruban, serre-câbles, etc.).
- Le corps et la tête de l'opérateur doivent être tenus aussi loin que possible de la machine à soudage / coupage et des câbles.
- Les câbles électriques et de soudage / coupage ne doivent jamais être enroulés autour du corps du poste à souder.
- Le corps ne doit pas rester entre les fils de soudage / coupage. Les câbles de soudage doivent être tenus à l'écart du qq corps, côte à côte.
- Le câble de retour doit être connecté à la pièce à usiner aussi près que possible de la zone soudage / coupage.
- Ne vous appuyez pas sur le groupe électrogène de soudage, ne vous asseyez pas dessus et ne travaillez pas trop près.
- Le soudage / coupage ne doit pas être effectué pendant le transport de l'unité d'alimentation en fil de soudage / coupage ou du bloc d'alimentation en courant de soudage.

Les CEM peuvent également perturber le fonctionnement des implants médicaux (substance placée à l'intérieur du corps), tels que les stimulateurs cardiaques. Des mesures de protection doivent être prises pour les personnes portant des implants médicaux. Par exemple, l'accès dans la zone du travail pourraient être restreint pour les passants, ou des évaluations individuelles des risques pourraient être effectuées pour les soudeurs. Une évaluation des risques doit être effectuée par un spécialiste médical pour les utilisateurs d'implants médicaux.

Protection



- N'exposez pas la machine à la pluie, empêchez les éclaboussures d'eau ou de la vapeur pressurisée d'y pénétrer.

Efficacité Énergétique



- Choisissez la méthode et la machine de soudage / coupage appropriées pour votre soudage.
- Sélectionnez le courant et/ou la tension de soudage / coupage en fonction du matériau et de l'épaisseur auxquels vous soudez.
- Si vous devez attendre longtemps pour le soudage / coupage, éteignez la machine une fois que le ventilateur l'a refroidie. Nos machines (produits) munies d'un système de ventilateur intelligent s'arrêteront automatiquement.

Procédure relative aux déchets



- Cet appareil n'est pas un déchet ménager. Elle doit être déposée dans un centre de recyclage agréé dans le cadre de la directive de l'Union Européenne et du droit national.
- Renseignez-vous auprès de votre revendeur et des personnes autorisées sur la gestion des déchets de votre machine usagée.

FORMULAIRE DE GARANTIE



Pour le formulaire de garantie, visitez notre site web www.magmaweld.fr/formulaire-de-garantie/wr.

SPÉCIFICATIONS TECHNIQUES

1.1 Explications Générales

monoTIG 165ip sont des postes de soudage de type Inverter, Pulse TIG et MMA. Tous les paramètres de soudage peuvent être réglés via le panneau de commande et surveillés via des affichages numériques. Il convient de travailler avec des générateurs qui fourniront la puissance et la fréquence appropriées. (Voir les spécifications de la poste pour des informations détaillées.) Il est refroidi par ventilateur et protégé thermiquement contre la surchauffe.

1.2 Composants

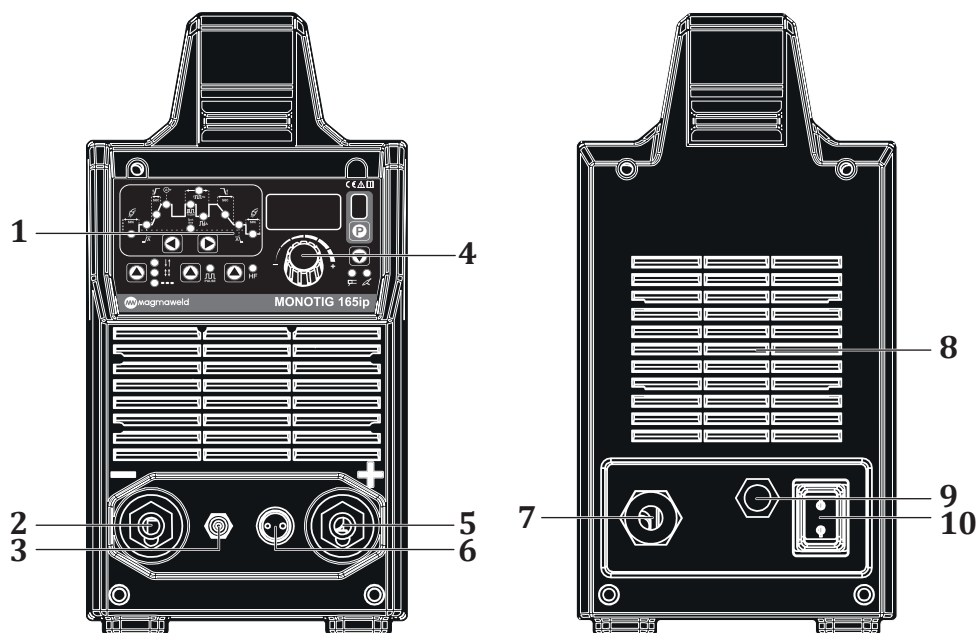


Figure 1 : Vue avant et arrière

- | | |
|--|-------------------------------------|
| 1- Pupitre de commande | 6- Prise de commande de la gâchette |
| 2- Prise de câble de soudage et de masse (-) | 7- Entrée du câble d'alimentation |
| 3- Sortie de gaz | 8- Ventilateur |
| 4- Pot d'ajustement | 9- Entrée de gaz |
| 5- Prise de câble de soudage et de masse (+) | 10- Bouton marche/arrêt |

1.3 Étiquette du Produit

MAGMA MEKATRONİK MAKİNE SAN. VE TİC. A.Ş. Organize Sanayi Bölgesi 5.Kısım Manisa-TÜRKİYE					
MONOTIG 165ip		S/N:			
		EN 60974-1/-10 Cl. A			
	---	5A / 10.2V - 160A / 16.4V			
		X ^(40°C)	30%	60%	100%
		I ₂	160A	113A	88A
S	U ₀ =65V	U ₂	16.4V	14.5V	13.5V
		U ₁ =230V I _{1max} =21.8A I _{1eff} =12A			
	---	5A / 20.2V - 160A / 26.4V			
		X ^(40°C)	20%	60%	100%
		I ₂	160A	92A	72A
S	U ₀ =65V	U ₂	26.4V	23.7V	22.9V
		U ₁ =230V I _{1max} =32.2A I _{1eff} =14.5A			
IP23		CE	EAC	UK CA	

Transformateur Redresseur Monophasé

X Cycle de Fonctionnement

Soudage TIG

U₀ Tension de Fonctionnement à Vide

Soudage MMA

U₁ Tension et Fréquence du Secteur

Courant Continu

U₂ Tension Nominale de Soudage

Entrée Secteur - Courant Alternatif Monophasé

I₁ Courant d'entrée Assigné

S Compatible Pour Travailler dans des Environnements Dangereux

I₂ Courant d'entrée Nominal

S/N Numéro de Série

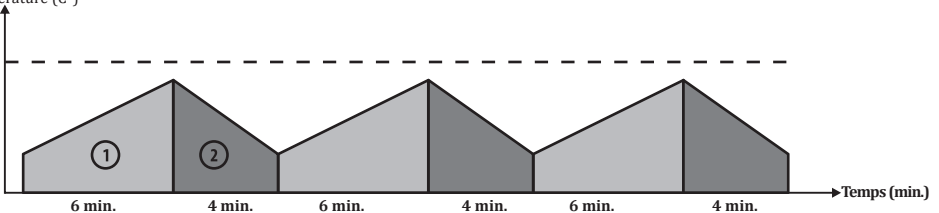
S₁ Tension d'entrée Assignée

IP23S Classe de Protection

• S / N Description du (Numéro de Série)

ID de la Machine				Production				Numéro de Séquence					
				Année	Semaine								
X	X	X	X	X	X	X	X	X	X	X	X	X	X
Groupe de Commande Machines de Modèle								Numéro de séquence de la machine produite dans l'année					

Cycle de Fonctionnement
Température (C°)



Le taux de cycle de fonctionnement comprend une période de 10 minutes, telle que définie dans l'EN 60974-1. Par exemple, si vous souhaitez travailler à 250 A sur un poste spécifié à 250 A à 60%, le poste peut souder / couper sans arrêt (zone 1) pendant les 6 premières minutes de la période de 10 minutes. Cependant, le poste doit rester inactive pendant les 4 minutes suivantes pour se refroidir.

1.4 Caractéristiques Techniques

SPÉCIFICATIONS TECHNIQUES	UNITÉ	monoTIG 165ip
Alimentation Monophasé 50/60 Hz	V	230
Tension d'entrée assignée électrode enrobée	kVA	7.41 (%30)
Puissance d'entrée Assigné pour Soudage TIG	kVA	5.01 (%30)
Efficacité de la Source d'Alimentation	%	MMA 85,23 / TIG 85,16
Consommation d'Énergie en Veille	W	N/A (EN IEC 60974-1,Annex M)
Zone d'ajustement de courant de soudage	ADC	5-160
Courant d'entrée nominal pour soudage TIG	ADC	160 (%30)
Tension de circuit ouvert	VDC	65
Gamme de diamètres d'électrodes de soudage	mm	2.00 - 3.25
Gamme de diamètre d'électrode en tungstène	mm	1.00 - 2.40
Dimensions (Alimentation) (LxLxH)	mm	521 x 160 x 311
Poids	kg	10,6
Classe de protection		IP23

1.5 Accessoires

ACCESSOIRES STANDARDS	QUANTITÉ	monoTIG 165ip
Pince et câble de pièce à usiner	1	7905201603
Tuyau de Gaz	1	7907000002
Torche	1	7110018004
ACCESSOIRES EN OPTION	QUANTITÉ	monoTIG 165ip
Pince et Câble de Masse	1	7906201603
Régulateur de Gaz	1	7020001004
Unité de Refroidissement par Eau (CSP 40)	1	7910005200
Lava TIG 26 (8 m) Torche TIG Refroidie par Air	1	7110018008
Lava TIG 18W (4 m) Torche TIG Refroidie par EAU	1	7110038004
Lava TIG 18W (8 m) Torche TIG Refroidie par EAU	1	7110038008
TIG Kit d'accessoires Refroidis à l'air (Torche + Régulateur)	1	7910000510
TIG Kit d'accessoires Refroidis à eau (Torche + Régulateur)	1	7910000530
Chariot de Transport	1	7910000100

INSTALLATION

2.1 Considérations Relatives à la Réception du Poste de Soudage

Assurez-vous que tous les composants que vous avez commandés soient livrés. Si un matériel quelconque est manquant ou endommagé, contactez immédiatement votre revendeur.

La boîte standard comprend les éléments suivants;

- Poste principale et câble secteur connecté
- Pince et Câble de Masse
- Certificat de garantie
- Torche
- Manuel d'Utilisation

En cas de réception de la marchandise endommagée, prenez les photos des dégâts constatés et signalez-les au transporteur avec une copie du bon de livraison. Si le problème persiste, contactez le service client.

Symboles se trouvant sur le poste de soudage et leur signification



Le procédé de soudage est dangereux. Les conditions de travail appropriées doivent être fournies et les précautions nécessaires doivent être prises. Les experts sont responsables de la poste et doivent fournir le matériel nécessaire. Les personnes non concernées doivent être tenues à l'écart de la zone de soudage.



Ce poste de soudage n'est pas conforme à la norme CEI 61000-3-12. Si vous souhaitez vous connecter au réseau basse tension utilisé dans les résidences, l'installateur ou la personne qui utilisera la poste doit être familiarisé avec la connexion de la poste, dans ce cas la responsabilité appartient à l'opérateur.



Il faut respecter les symboles de sécurité et les avertissements qui se trouvent sur le poste et dans le manuel d'utilisation et ne pas retirer les étiquettes.



Les grilles sont destinées à la ventilation. Les ouvertures ne doivent pas être recouvertes afin d'assurer un bon refroidissement et aucun corps étranger ne doit être y introduit.

2.2 Conseils d'Installation et de Fonctionnement

- Des anneaux de levage ou des chariots élévateurs doivent être utilisés pour déplacer la machine. Ne soulevez pas la machine avec la bouteille de gaz. Lorsque vous transportez manuellement des machines à souder portatives, des mesures doivent être prises conformément aux réglementations en matière de santé et de sécurité au travail. Les dispositions nécessaires doivent être prises sur le lieu de travail pour garantir que le processus de transport s'effectue dans le plus grand respect des conditions de santé et de sécurité. Des précautions doivent être prises en fonction des caractéristiques de l'environnement de travail et des exigences du travail. Placez la machine sur une surface dure, plane et lisse où elle ne risque pas de tomber ou de se renverser.
- Lorsque la température ambiante dépasse 40 °C, faites fonctionner la machine à un courant plus faible ou à un cycle de fonctionnement plus faible.
- Évitez de souder à l'extérieur lorsqu'il y a du vent et de la pluie. Si le soudage est nécessaire dans de tels cas, protégez la zone de soudage et la poste de soudage avec des rideaux et des auvents. Si vous soudez à l'intérieur, utilisez un système approprié d'absorption de fumée. Utilisez un appareil respiratoire s'il y a un risque d'inhalation de fumée et de gaz à l'intérieur.
- Lors du positionnement de la poste, assurez-vous que les matériaux tels que les murs, les rideaux et les panneaux n'empêchent pas un accès facile aux commandes et aux connexions de la poste.
- Respectez les taux de cycle de fonctionnement spécifiés sur l'étiquette du produit. Dépasser régulièrement le nombre de cycle approprié peut endommager la poste et annuler la garantie.
- Utilisez un fusible approprié pour votre système.
- Connectez le fil de masse aussi près que possible de la zone de soudage.
- Ne laissez pas le courant de soudage traverser des éléments autres que les câbles de soudage, tels que la poste elle-même, la bouteille de gaz, la chaîne et le roulement.
- Fixez la bouteille de gaz au mur avec une chaîne.
- Si vous ne placez pas la bouteille de gaz sur la poste, fixez-la au mur à l'aide de la chaîne.

2.3 Branchements Électriques



Pour votre sécurité, n'utilisez jamais le câble secteur de la poste sans fiche.

Puisqu'il peut y avoir différentes prises en fonction de l'usine, des chantiers de construction et des ateliers, le câble d'alimentation est livré sans fiche. Une fiche adaptée à la prise doit être connectée par un électricien qualifié. Assurez-vous que le câble de la mise à la masse est présent. Après le raccordement de la fiche au câble, ne pas brancher le câble à la prise à ce stade.

2.4 Connexion Au Secteur



Assurez-vous que le bouton marche/arrêt de la poste est en position "0" lorsque vous branchez la fiche dans la prise.

L'assistance doit être obtenue auprès de personnes autorisées (électricien qualifié, etc.) concernant la connexion. La tension de phase doit être vérifiée avant de connecter la poste au secteur. Une fois qu'il est déterminé qu'il est correct, la fiche doit être insérée dans la prise. Démarrez la poste en tournant le bouton Marche/Arrêt sur la position "1". Assurez-vous que les voyants et les voyants du panneau de commande sont allumés et que le ventilateur de refroidissement fonctionne.

2.5 Connexions pour le Soudage TIG



Avant de connecter la poste au secteur, vérifiez que la tension du secteur est correcte. Lors de l'insertion de la fiche, assurez-vous que l'interrupteur d'alimentation de la poste est en position "0".

- Démarrez la poste avec le bouton marche/arrêt et vérifiez si les voyants sont allumés et si le ventilateur de refroidissement fonctionne.

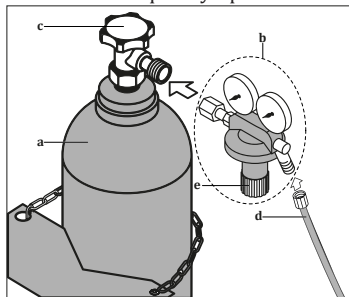
Électrode En Tungstène Diamètre (mm)	TIG Recommandé Courant de Soudage
1.6	30-130
2.0	45-180
2.4	70-240

2.5.1 Connexion de la Torche

- Insérez la fiche de la torche TIG dans la prise de soudage du pôle négatif et serrez-la en la tournant vers la droite. Fixez le connecteur de déclenchement de la torche fourni avec la poste aux câbles de commande de la gâchette de la torche. Ensuite, connectez le connecteur à la prise de commande de déclenchement.
- Branchez le tuyau de gaz de la torche à la sortie de gaz.
- Refroidissement par eau sous tuyau de torche refroidi par eau, type d'unité de refroidissement par eau.
- Complétez le tuyau froid "bleu" de la torche vers la sortie d'eau chaude ouverte, le tuyau "rouge" vers l'entrée d'eau chaude de la poste.

2.5.2 Connexions de Gaz

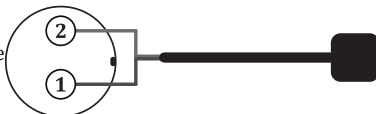
- Fixez le cordon de gaz argon **(a)** à l'aide d'une chaîne.
- Utilisez un régulateur **(b)** conforme aux normes pour travailler en toute sécurité et obtenir des résultats optimaux.
- Laissez la valve de la bouteille de gaz **(c)** ouverte pendant un moment, de manière à évacuer les éventuels sédiments et particules.
- Connectez le régulateur de gaz à la bouteille de gaz, en veillant à ce que le filetage de la vis de la sortie de gaz de la bouteille de gaz et l'écrou du régulateur se chevauchent.
- Raccordez une extrémité du tuyau de la bouteille **(d)** au régulateur de gaz et l'autre extrémité à l'entrée de gaz à l'arrière du poste et ouvrez le robinet de la bouteille de gaz.
- Réglez le débit de gaz à l'aide de la vanne de régulation de pression **(e)**.
- Assurez-vous qu'il n'y a pas de fuite au niveau des connexions.



Diamètre de L'électrode (mm)	Diamètre de La Buse (mm)	Courant de Soudage (ACC)	Flux de Gaz (l/min)
1.0	6.3	30-70	6-8
1.6	9.5	30-150	6-8

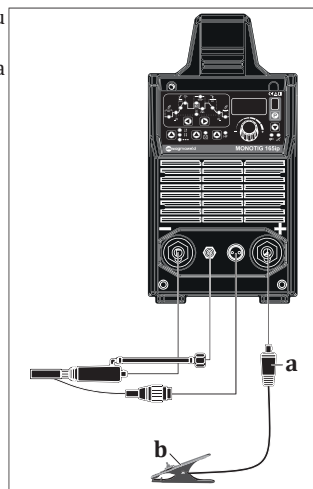
2.5.3 Connexions de prise de déclenchement

- Connexion Torche TIG; Il doit être connecté à la prise de commande de la gâchette comme sur la figure avec les extrémités 1-2.



2.5.4 Connexions des pinces de mise à la terre

- Insérez la fiche **(a)** du câble de la pince de mise à la terre dans la prise du pôle positif, tournez-la vers la droite et serrez-la.
- Pour améliorer la qualité du soudage, fixez fermement la pince de mise à la terre **(b)** à la pièce, aussi près que possible de la zone à souder.



2.5.5 Montage Des Consommables de la Torche

- La buse en céramique (5) et l'électrode en tungstène (1) doivent être choisis en fonction du courant de soudage et de la forme de la pièce. En conséquence, les diamètres de la pince (3) et du porte-pince (4) doivent correspondre au diamètre de l'électrode en tungstène.
- Retirez la tête de serrage (2).
- Retirez l'électrode existante de la pince porte-électrode; le diamètre de la nouvelle électrode en tungstène doit correspondre au diamètre de celle-ci.
- Installez la pince porte-électrode sur la torche.
- Serrez fermement la tête de serrage.

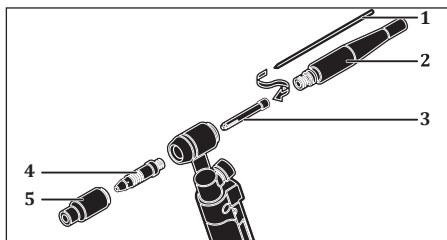


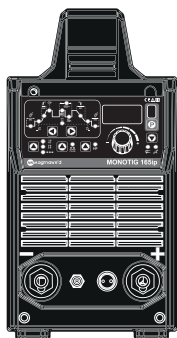
Figure 3 : Montage Des Consommables de la Torche

2.6 Branchements pour la Poste de Soudage à l'Électrode Enrobée



Avant de connecter la poste au secteur, vérifiez que la tension du secteur est correcte. Lors de l'insertion de la fiche, assurez-vous que l'interrupteur d'alimentation de la poste est en position "0".

- Démarrez la poste avec le bouton marche/arrêt et vérifiez si les voyants sont allumés et si le ventilateur de refroidissement fonctionne.
- Reliez la fiche du câble de la pince porte-électrode (c) et la fiche du câble de la pince de mise à la masse (a) aux prises de câble de masse et de soudage en fonction de l'électrode à utiliser et de la polarité recommandée par le fabricant de l'électrode.
- Pour améliorer la qualité du soudage, connectez fermement la pince de mise à la masse (b) à la pièce à usiner aussi près que possible de la zone à souder.



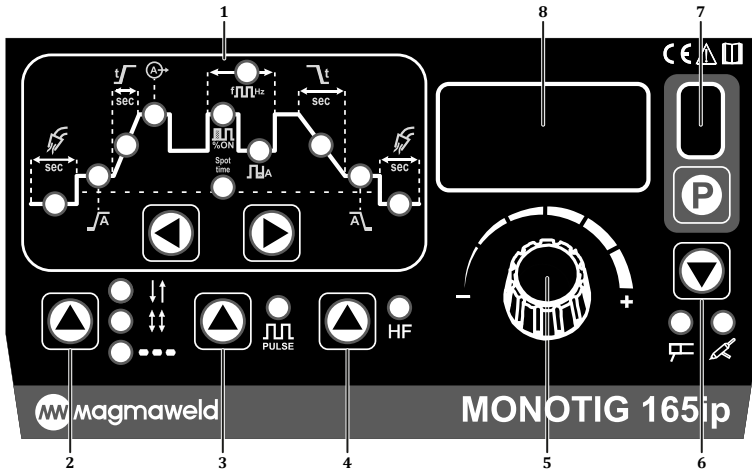
Diamètre de l'électrode Enrobée "mm"	Courant de soudage recommandé		
	Rutile	Basic	Cellulosique
2.0	40-60 A	-	-
2.5	60-90 A	60-90 A	60-100 A
3.25	100-140 A	100-130 A	70-130 A
4.0	140-180 A	140-180 A	120-170 A



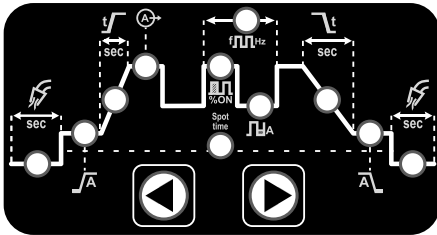
UTILISATION

3.1 Interface Utilisateur




FR



1- Courbe de Soudage TIG



Utilisez les boutons pour faire défiler les paramètres de la courbe de soudage TIG. La LED du paramètre sélectionné s'allume.

	<p>Pré-Gaz Le gaz de protection de la torche atteint la zone de soudage, ultérieurement à la vitesse de l'arc généré ; cela peut causer un noircissement et une déformation dans la zone de soudage. De plus, la durée de vie de la pointe en tungstène est réduite. Le gaz de protection peut être ajusté entre 0 et 20 secondes. Ce réglage garantit que le gaz atteint la zone de soudage avant de commencer le soudage.</p>
	<p>Courant d'amorçage L'arc de soudage se produira à la valeur de courant définie. La valeur est définie en %. Un courant initial se produit en dessous de la valeur % définie du courant principal. Il peut être ajusté entre 5 A - %100.</p>
	<p>Temps de Montée du Courant La transition du courant d'amorçage au courant de soudage se fait dans le délai spécifié. Le réglage se fait entre 0 - 10 sec.</p>

	<p>Courant dominant C'est le courant réel à souder. Il peut être réglé entre 5 - 160 Amps dans le modèle monoTIG 165ip et 5 - 200 Amps dans le modèle monoTIG 200 ip.</p>
	<p>Amplitude de Fréquence Cette fonction est active lorsque le mode impulsion est sélectionné. Elle détermine le rapport d'amplitude entre courant faible et courant élevé dans un cycle d'impulsions. Elle indique combien de temps le courant élevé réglé sera actif dans une période. Le réglage par défaut est de 50%. Il peut être ajusté entre 1 et 99%. Le courant faible est le courant de cratère, le courant élevé est le courant principal. Par ex.; lorsque le rapport cyclique est réglé sur 1%, avec un courant principal de 100 A et un courant de cratère de 50 A, le travail réalisé en 100 ms est de 1 ms 100 A, 99 ms 50 A.</p>
	<p>Fréquence d'impulsion Cette fonction est active lorsque le mode impulsion est sélectionné. En mode impulsion, elle permet de définir la fréquence d'un cycle d'impulsions composé de courant de soudage et de courant inférieur. Il est également possible de définir le nombre d'impulsions par seconde. Le réglage se fait entre 0.1- 2000 Hz. Le réglage par défaut est 5 Hz qui peut être ajusté en fonction de l'épaisseur de la pièce ou de la décision de l'utilisateur.</p>
	<p>Courant de fosse (courant de réparation) Il est défini en %. Il se produit en dessous du % déterminé du flux principal. Il est utilisé pour corriger les erreurs qui se produisent lors du soudage. Il offre un réglage entre 1 et 100 %. À utiliser uniquement avec une torche multifonction. Il détermine le courant faible lorsque le mode impulsion est actif. Remarque Le courant de fosse n'est utilisé qu'en mode 4 déclenchements. Le soudage est démarré en appuyant et en tirant sur la gâchette, la gâchette est à nouveau enfoncée et la valeur du courant de fosse est utilisée tant qu'elle est maintenue enfoncée. Lorsque vous retirez votre doigt de la gâchette, vous revenez au courant normal et continuez à souder. Si vous appuyez et tirez brièvement sur la gâchette, le soudage se terminera.</p>
<p>Spot time</p>	<p>Spot Time En mode ponctuel (soudage par points), le soudage se poursuivra pendant la durée spécifiée et puis s'arrêtera. La plage de réglage est comprise entre 0,5 - 20 sec.</p>
	<p>Temps D'évanouissement d'arc Cette fonction permet de définir le temps de transition du courant de soudage principal au courant final lors de la fin du soudage. Le temps d'évanouissement peut être ajusté entre 0 - 10 sec.</p>
	<p>Remplissage des Retassures de Cratère (Courant Final) Lorsque le soudage s'arrête la transition du courant principal au courant final s'effectue. Le cordon de soudure est uniformisé à l'aide de ce courant en fin du processus. Rappel Courant initial - Temps d'évanouissement- Courant principal : Le courant initial défini est maintenu inférieur à la valeur du courant principal. L'arc est généré par le courant initial et le courant principal est progressivement augmenté pendant le temps d'évanouissement défini. Cela prolonge la durée de vie de la pointe en tungstène et assure un début d'arc plus stable.</p>
	<p>Gaz Final Une fois le soudage terminé, le flux du gaz de protection continue pendant le temps défini. De cette manière, la durée de vie de la pointe en tungstène est prolongée grâce au refroidissement, tout en protégeant le bain de soudure jusqu'à son refroidissement. Le gaz final peut être ajusté entre 0 et 20 sec.</p>

2- Modes de Gâchettes / Démarrage à Chaud (Hot Start)- Sélection de la Force de l'Arc



À l'aide de la touche tactile, vous pouvez les modes 2/4 de la gâchette et les modes ponctuelles lorsque le mode TIG est sélectionné et modifier les paramètres Démarrage à chaud (Hot Start) et Force d'arc (Arc Force) lorsque les modes d'Électrode sont sélectionnés.

FR

	<p>Ht</p> <p>Lors de l'amorçage de l'électrode, cette fonction facilite l'amorçage en fournissant du courant jusqu'à 2 fois sa valeur.</p> <ul style="list-style-type: none"> • À l'aide du potentiomètre de réglage de courant, l'amorçage à chaud (Hot Start) est défini entre 0 et 100%. • Si défini sur 0, aucune valeur n'est ajoutée au courant principal lors de l'amorçage initial et s'il est défini sur 100, courant principal est augmenté de 100%. • L'amorçage s'effectue avec l'ampérage ajusté en fonction de la valeur de démarrage à chaud et la poste retourne ensuite au courant de la source principale. • L'amorçage à chaud (Hot Start) est réglé en usine sur 20.
	<p>Ar</p> <p>Cette fonction augmente le courant jusqu'à deux fois la valeur du courant de soudage principal et évite ainsi une interruption de l'arc a tendance à se rompre lors du soudage à l'électrode.</p> <ul style="list-style-type: none"> • La Force d'arc (Arc Force) est comprise entre 0 et 100. • Cette fonction permet d'ajuster le courant lorsque l'électrode a tendance à coller pour éviter ainsi l'électrode de coller. • La valeur par défaut de la Force d'arc (Arc Force) est de 0.
	<div style="display: flex; justify-content: space-around; align-items: flex-start;"> <div style="text-align: center;"> <p>Appuyez Sur la Gâchette En Mode 2 temps;</p> <ul style="list-style-type: none"> • La soudure commence dès que la gâchette est enfoncée, le pré-gaz est fourni et l'allumage est effectué avec le courant minimum. Après la rampe initiale, la soudure continue avec le courant principal. • L'évanouissement s'effectue lorsque la gâchette est relâchée pour ensuite le remplissage des retassures de cratère. Le procédé se termine avec le gaz final. </div> <div style="text-align: center;"> <p>Maintenez la Gâchette</p> </div> <div style="text-align: center;"> <p>Relâchez la Gâchette</p> </div> </div> <p>Le fonctionnement de la courbe de soudage TIG en mode 2 temps;</p> <ul style="list-style-type: none"> • La durée initiale du gaz peut être réglée de 0 à 20 secondes. Le réglage par défaut est de 1 sec. • Le courant initial (courant d'allumage initial) est égal à 30% du courant principal. • Le temps de montée (rampe initiale) est compris entre 0 et 10 secondes. Cela détermine la rampe de la transition du courant d'allumage au courant principal. • La rampe finale, de la même manière que la rampe initiale, détermine le temps écoulé entre le courant initial et le courant final. Le courant final représente 30% du courant principal. <div style="display: flex; align-items: center;"> <div style="margin-left: 20px;"> <p>PrG : Temps de Pré-Gaz I : Courant de Soudage PoG : Temps de Gaz Final</p> </div> </div>

**Exemple :**

Si vous avez un courant initial de 100 A, le courant de cratère (courant final) est de 30 A. Indique que si le temps de fin de rampe est défini sur 1 s, le passage du courant principal au courant de cratère sera fait en 1 seconde.

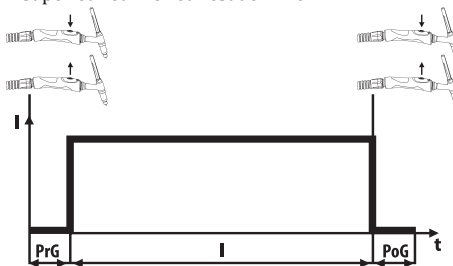
- Le courant de cratère est suivi par le temps de gaz final. Le temps de gaz final est réglé entre 0 et 20 secondes. Cette durée peut varier en fonction de la demande de l'utilisateur.
- En cas de problèmes tels que le noircissement ou la détérioration rapide de l'extrémité en Tungstène, il est nécessaire d'augmenter le temps de gaz final.

**En Mode 4 temps;**

- Appuyez une fois sur la gâchette pour commencer à souder. Après le pré-gaz, le processus de soudage est initié par le courant d'amorçage. Tant que la gâchette n'est pas relâchée, le poste continue de souder avec le courant d'amorçage. Lorsque la gâchette est relâchée, il rampe pendant le temps de rampe défini et continue de souder au courant principal.
- Lorsque vous appuyez à nouveau sur la gâchette pour mettre fin au processus de soudage, le temps d'évanouissement continue tant que vous appuyez sur la gâchette.
- Lorsque le temps de la rampe est terminé, le poste attend en mode de cratère et vous permet de remplir des retassures de cratère.
- Relâchez la gâchette une fois ce processus terminé.
- Lors du temps de gaz final, vous refroidissez la pièce afin de pouvoir terminer le processus de soudage.

Le fonctionnement de la courbe de soudage TIG en mode 4;

- En mode 4 temps, tous les menus et réglages du mode 2 temps s'appliquent de la même manière. En mode 4 temps, contrairement au mode 2 temps, le courant de cratère dans la courbe de soudage TIG est également actif. Le courant de cratère n'est utilisé que dans 4 modes de gâchettes avec une torche multifonction.
- Cette fonction est utilisée pour corriger les erreurs éventuelles lors du soudage.
- Le courant de cratère est défini en %. Il est compris entre 1-100%. Si le courant du poste est de 100 A et que le courant de cratère de 50, cela signifie que le courant de cratère est réglé sur 50 A, ce qui correspond à 50% du courant principal. Le niveau des courants supérieur et inférieur est défini ici.




PrG : Temps de Pré-Gaz
I : Courant de Soudage
PoG : Temps de Gaz Final

Exemple :

Si le courant principal est réglé sur 100 A et que le courant de cratère est de 50 A et si le poste utilise une torche à fonctions multiples, un appuie sur la touche du courant de cratère lors du soudage avec 100 A réduit le courant à 50 A.

Ainsi, le poste passe au courant inférieur, pour la réparation d'un défaut éventuel dans le cordon de soudure de manière à empêcher tout perçage dans la zone chauffée. Lorsque vous appuyez à nouveau sur le bouton de courant principal via la torche, le poste revient à 100 ampères et vous pouvez reprendre le processus à l'endroit où il s'était arrêté.

	<p>Mode par point</p> <p>Il est actif lorsque les modes de soudage TIG sont sélectionnés. D'une simple pression sur la gâchette, il s'allume dans le flux principal, le soudage se poursuit pendant le temps défini et se termine automatiquement lorsque le temps expire.</p> <ul style="list-style-type: none"> • Dès que le mode spot est sélectionné, la plupart des zones de la courbe TIG sont contournées, seules 3 options peuvent être définies. Temps post-gaz, temps principal et temps ponctuel. • Le temps de point est le temps de soudage au point. <p>Goûter;</p> <p>2 sec. se mettre; Lorsque vous appuyez sur la gâchette, il commence à souder 2 sec. Il soude pendant 2 sec. sans attendre que vous relâchiez la gâchette. à la fin, vous terminerez automatiquement la source.</p>
---	---

3- Sélection du Mode d'impulsion (Pulse)



Permet de basculer vers la fonction impulsion en mode TIG. Appuyez une fois sur le bouton pour activer ou désactiver le mode. Le voyant est allumé lorsque le mode est actif. Lorsque le mode impulsion est actif, vous pouvez sélectionner d'autres fonctions connexes (cycle de fonctionnement, amplitude de fréquence, fréquence d'impulsion, etc.). Grâce à la fonction d'impulsion, la déformation est réduite en réduisant l'apport de chaleur au matériau.

4- Sélection des Modes HF



Appuyez une fois sur le bouton pour activer ou désactiver le mode. Le voyant est allumé lorsque le mode est actif.

Haute Fréquence

- Permet de commencer au soudage TIG sans que l'électrode de tungstène touche au matériau. De cette manière, la pointe de l'électrode en tungstène ne se détériore pas.
- Il est actif en mode TIG.
- Si vous souhaitez désactiver le mode HF et souder avec le mode Lift-Arc, vous pouvez appuyer sur la touche HF pour désactiver le mode HF actif.

5- Bouton de Réglage (Potentiomètre)



Le molette de réglage permet le réglage de courant pour tous les procédés de soudage et les modifications de paramètres dans toutes les fonctions. Le réglage est effectué en tournant la molette à droite et à gauche et les valeurs définies sont affichées sur l'affichage numérique.

6- Sélection de la Méthode de Soudage



Vous pouvez choisir entre les méthodes de soudage à l'électrode et TIG avec le bouton tactile. Quelle que soit la méthode de soudage sélectionnée, la led de cette méthode s'allumera.

	Permet de souder avec des électrodes rutiles et basiques
	Permet d'effectuer un soudage DC TIG

7- Mémoire Des Programmes

FR



En Mode TIG;

- Vous pouvez enregistrer vos réglages de paramètres et les rappeler en fonction du type de votre travail avec la fonction mémoire de 10 capacités d'enregistrement. Cela signifie que vous n'avez pas à définir de paramètres chaque fois que vous changez une pièce, et la production sera ainsi harmonisée. Tous les paramètres sont automatiquement enregistrés avec le numéro de mémoire (job) sélectionné.
- Changez le numéro de programme pour différentes entrées de paramètres.
- L'affichage situé au-dessus du bouton de programme indique le programme que vous avez modifié.
- Il est possible d'enregistrer 10 programmes de 0 à 9.
- Vous pouvez passer d'un programme à l'autre en appuyant une fois sur la touche de programme. Si vous maintenez cette touche enfoncée, vous pouvez défiler rapidement les programmes.

En Mode Électrode;

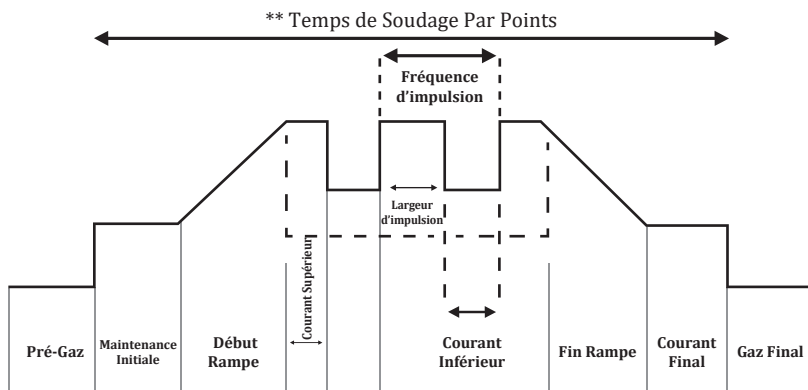
- Lors du réglage du courant, vous voyez la valeur "U" lorsque vous voyez la tension de sortie du soudage "A". Appuyez une fois sur le bouton pour voir la tension de sortie. Vous pouvez passer à l'ampli en appuyant de nouveau sur la touche et voir la valeur du courant sur le panneau numérique.

8- Indicateur Numérique



Le courant de soudage réglé, les valeurs de paramètre et les codes d'erreur peuvent être surveillés visuellement via l'affichage numérique.

3.2 Courbe de Soudage TIG



FR

Les états des fonctions (activées ou désactivées) selon les modes sont indiqués dans le tableau ci-dessous:

Paramètre	MonoTIG 165ip	Réglage Par Default	Position 2 TIG		Position 4 TIG		Soudage Par Points TIG	
			DC	Mode d'impulsion	DC	Mode d'impulsion	DC	Mode d'impulsion
Temps de Pré-Gaz	0 - 20 sec.	1 sec.	✓	✓	✓	✓		
Courant Initial	5A - %100	%70	✓	✓	✓	✓		
Temps de Rampe Initial	0.0 - 10 sec.	1 sec.	✓	✓	✓	✓		
Courant Supérieur	5 - 160 A	85 A	✓	✓	✓	✓	✓	✓
Courant Inférieur	5A - %100	40 A		✓	✓	✓		✓
Taux du Cycle d'Impulsion	%1 - %99	%50		✓		✓		✓
Fréquence d'Impulsion	0.1 - 2000 Hz	5 Hz		✓		✓		✓
Fin du Temps de Rampe	0.0 - 10 sec.	1 sec.	✓	✓	✓	✓		
Courant Final	3A - %100	%30	✓	✓	✓	✓		
Temps de Gaz Final	0 - 20 sec.	5 sec.	✓	✓	✓	✓		
Temps de Soudage Par Points	0.01 - 9 sec.	2 sec.					✓	✓

3.3 Caractéristiques de la Poste

Protection Thermique

- Le poste dispose d'une double protection contre la surchauffe et les dommages.
- Si le bloc IGBT dépasse 75 C°, le voyant rouge s'allume et un code d'erreur est affiché.

Mémoire Des Programmes

- Il est possible d'enregistrer jusqu'à 10 programmes, de 0 à 9.
- Les modifications effectuées sont enregistrées. Appuyez sur la touche P pour basculer entre les programmes.

Lift TIG

- La fonction Lift TIG permet de procéder le soudage TIG sans endommager la pointe en tungstène.

Protection Contre Tension

- Permet de tolérer les fluctuations de tension.
- Protège contre les tensions erronées et les tensions d'entrée variables.
- Une fois que les conditions ambiantes sont redevenues normales, les fonctions de la poste sont également activées.

Fonctionnement Avec Des Groupes Electrogènes

- Le poste convient pour travailler avec des groupes électrogènes. La valeur en kVA doit être déterminée en consultant les spécifications techniques.

Anti-Stick

- La fonction anti-stick empêche l'électrode de coller.

3.4 Valeurs de Consommation

Les tableaux ci-dessous montrent les valeurs moyennes de consommation pendant le soudage dans des conditions idéales. Ces valeurs peuvent varier en fonction de l'utilisation et des conditions ambiantes.

Consommation Moyenne de Gaz de Protection Pendant le Soudage TIG

Numéro de la Buse en Céramique	4	5	6	7	8	10
Consommation Moyenne	6,5 l/min.	8 l/min.	10 l/min.	12 l/min.	12,5 l/min.	15,5 l/min.



MAINTENANCE ET DÉFAILLANCES

- L'entretien et la réparation de la poste doivent être effectués par des personnes compétentes. Notre société n'est pas responsable des accidents qui se produisent à la suite d'interventions par des personnes non autorisées.
- Les pièces à utiliser pendant la réparation peuvent être obtenues auprès de nos services autorisés. L'utilisation de pièces détachées d'origine prolongera la durée de vie de votre poste et empêchera les pertes de rendement.
- Contactez toujours le fabricant ou un agent de service autorisé spécifié par le fabricant.
- Toute tentative non autorisée par le fabricant pendant la période de garantie annulera toutes les dispositions de la garantie.
- Respectez scrupuleusement les consignes de sécurité applicables pendant les procédures d'entretien et de réparation.
- Avant toute opération de réparation de la poste, déconnectez la sortie électrique de la poste du secteur et attendez 10 secondes pour que les condensateurs se déchargent.

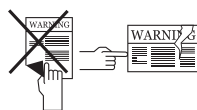
FR

4.1 Maintenance



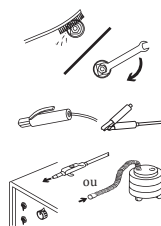
Maintenance Journalière

- Ne retirez pas les étiquettes d'avertissement sur l'appareil. Remplacez les étiquettes usées / déchirées par des neuves. Vous pouvez obtenir les étiquettes auprès de votre revendeur.
- Vérifiez la torche, les pinces et les câbles. Vérifiez le bon état et les fixations des composants. Remplacez les pièces endommagées ou défectueuses par des nouvelles. N'utilisez pas des rallonges pour les câbles et n'essayez jamais réparer un câble.
- Assurez-vous qu'il y a suffisamment d'espace pour la ventilation.
- Les consommables sur la torche TIG doivent être nettoyés régulièrement et remplacé si nécessaire. Pour une utilisation longue durée de ces matériaux, assurez-vous que ce sont des produits originaux.
- Avant de commencer le soudage, vérifiez le débit de gaz de la pointe de la torche à l'aide d'un débitmètre. Si le débit de gaz est élevé ou faible, amenez-le au niveau adapté pour le soudage.
- Vérifier le niveau de liquide de refroidissement, faire l'appoint s'il y a une baisse du niveau de liquide de refroidissement. Si le liquide de refroidissement est contaminé, vidangez tout le réservoir de liquide de refroidissement et nettoyez le réservoir. Remplissez le réservoir avec un liquide de refroidissement neuf.



Tous Les 6 Mois

- Nettoyez et serrez les fixations telles que les boulons et les écrous.
- Vérifiez le fil de la pince à électrode et de la pince de masse.
- Ouvrez les capots latéraux de la poste et nettoyez-les à l'air sec à basse pression. N'appliquez pas d'air comprimé sur des composants électroniques à courte distance.
- Vérifiez la prise à laquelle la fiche d'alimentation du poste est connectée. Supprimez le jeu éventuel dans les points de connexion du câble d'alimentation de la prise. En cas d'arc ou d'expansion au niveau des connecteurs, remplacez la prise.
- Vérifiez la fiche d'alimentation du poste. Supprimez le jeu éventuel des points de connexion du câble d'alimentation. En cas d'arc ou d'expansion au niveau de la fiche, remplacez-la.



REMARQUE: Les délais mentionnés ci-dessus sont les périodes maximales à appliquer dans le cas où aucun problème ne se produit sur la poste. En fonction de la densité de votre activité et de la pollution de votre environnement de travail, vous pouvez répéter les opérations ci-dessus plus fréquemment.



Ne jamais procéder au soudage lorsque les couvercles du poste de soudage sont ouverts.

4.2 Dépannage

Vous pouvez obtenir les étiquettes des services autorisés.

FR

Incident	Solution
La poste ne s'allume pas	<ul style="list-style-type: none"> • Assurez-vous que la poste est correctement branchée • Vérifiez que les connexions secteur soient correctes • Un (ou plusieurs) fusible a sauté • Vérifiez l'interrupteur marche / arrêt • Si le problème persiste après toutes les vérifications, contactez le service agréé
La poste ne soude pas / la qualité de soudage est mauvaise	<ul style="list-style-type: none"> • Assurez-vous que la pince de mise à la masse de la poste est connectée à la pièce à travailler • Assurez-vous que les câbles et les ports de connexion sont en bon état • Assurez-vous que la sélection du paramètre et du processus est correcte. Suivez les étapes ci-dessous en fonction du processus sélectionné • Vérifiez le pôle à connecter l'électrode et la valeur de courant à régler sur le poste • Vérifiez que le flux de gaz est ouvert, assurez-vous que le flux est correct • Assurez-vous que la pointe en tungstène est propre • Assurez-vous que la torche de soudage est en bon état • Si le problème persiste après toutes les vérifications, contactez le service agréé
Le tungstène fond ou la buse se casse	<ul style="list-style-type: none"> • Vérifiez que la torche TIG (-) est connectée au pôle. Sinon, connectez-la • Si le problème persiste après toutes les vérifications, contactez le service agréé
L'aspect de la soudure TIG est noirci ou mousseux	<ul style="list-style-type: none"> • Vérifiez le débit de gaz de la pointe de la torche à l'aide d'un débitmètre • Si la surface de la pièce à souder est sale, nettoyez-la • Veillez à utiliser le bon gaz de soudage • Veillez à sélectionner la bonne électrode en tungstène • Si le problème persiste après toutes les vérifications, contactez le service agréé
La HF (haute fréquence) se produit mais le soudage est difficile à démarrer	<ul style="list-style-type: none"> • Vérifiez le courant initial. Augmentez le courant initial, si trop faible • Si le problème persiste après toutes les vérifications, contactez le service agréé
La HF (haute fréquence) se produit mais le soudage ne démarre pas	<ul style="list-style-type: none"> • Vérifiez que la torche TIG (-) est connectée au pôle. Sinon, connectez-la • Vérifiez que la pince de mise à la masse est connectée à la pièce • Si le problème persiste après toutes les vérifications, contactez le service agréé
Pas de saut de HP (Haute fréquence)	<ul style="list-style-type: none"> • Vérifiez le temps de pré-gaz. Réduisez le temps de pré-gaz, si trop élevé • Si le problème persiste après toutes les vérifications, contactez le service agréé
Il y a une fuite dans l'unité de refroidissement	<ul style="list-style-type: none"> • Contactez le service agréé
Il n'y a pas de circulation de liquide dans l'unité de refroidissement à eau	<ul style="list-style-type: none"> • Contactez le service agréé

4.3 Codes d'incident

Vous pouvez obtenir les étiquettes des services autorisés.

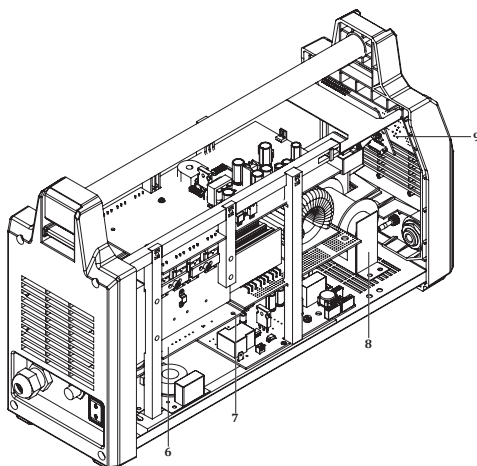
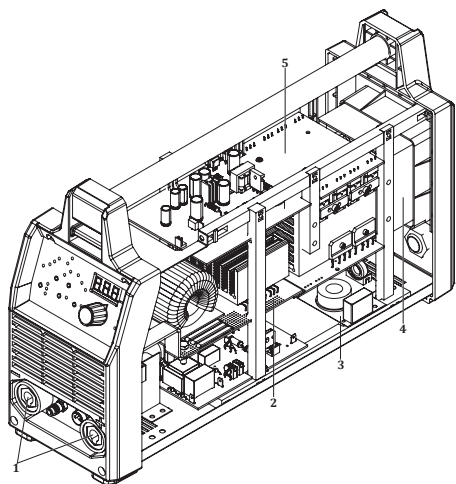
Code d'incident	Incident	Cause	Solution
E01	Protection Thermique (Primaire)	<ul style="list-style-type: none"> Le temps de fonctionnement de votre poste a peut-être été dépassé 	<ul style="list-style-type: none"> Laissez la poste refroidir en attendant un moment. Si le défaut disparaît, essayez de l'utiliser à des valeurs d'ampérage inférieures Si le problème persiste, contactez le service agréé
		<ul style="list-style-type: none"> Le ventilateur peut ne pas fonctionner 	<ul style="list-style-type: none"> Vérifiez visuellement si le ventilateur fonctionne ou non Si le problème persiste, contactez le service agréé
		<ul style="list-style-type: none"> Avant des conduits d'entrée-sortie d'air peut être fermé 	<ul style="list-style-type: none"> Ouvrez les conduits d'aération Si le problème persiste, contactez le service agréé
		<ul style="list-style-type: none"> L'environnement de travail de la poste peut être extrêmement chaud ou étouffant 	<ul style="list-style-type: none"> Assurez-vous que l'environnement de travail de la poste n'est pas excessivement chaud ou étouffant Si le problème persiste, contactez le service agréé
E02	Tension Secteur Basse	<ul style="list-style-type: none"> La tension secteur peut avoir chuté 	<ul style="list-style-type: none"> Vérifiez les câbles de raccordement à l'alimentation et la tension. Assurez-vous que la tension d'entrée correcte est fournie. Si la tension d'alimentation est normale, contactez le service agréé
E03	Tension Secteur Élevée	<ul style="list-style-type: none"> La tension secteur peut avoir augmenté 	<ul style="list-style-type: none"> Vérifiez les câbles de raccordement à l'alimentation et la tension. Assurez-vous que la tension d'entrée correcte est fournie. Si la tension d'alimentation est normale, contactez le service agréé.
E04	Erreur de Lecture de Courant / Tension	<ul style="list-style-type: none"> Il peut y avoir une erreur d'équipement 	<ul style="list-style-type: none"> Contactez le service agréé
E05	Erreur de Lecture du Capteur de Température	<ul style="list-style-type: none"> Il peut y avoir une erreur d'équipement 	<ul style="list-style-type: none"> Contactez le service agréé
E06	Erreur de l'unité de Refroidissement Par Eau	<ul style="list-style-type: none"> Il peut y avoir une erreur dans l'unité de refroidissement par eau 	<ul style="list-style-type: none"> Vérifier le connecteur du groupe de refroidissement par eau et les entrées/sorties de la torche Assurez-vous que la circulation d'eau est assurée Si le problème persiste, contactez le service agréé
E07	Erreur Système	<ul style="list-style-type: none"> Il peut y avoir une erreur d'équipement 	<ul style="list-style-type: none"> Contactez le service agréé
E08			
E09			
E10	Erreur de Connexion de La Torche	<ul style="list-style-type: none"> La torche et les connexions de la torche peuvent être défectueuses 	<ul style="list-style-type: none"> Vérifier la torche et les connexions de la torche Si le problème persiste, contactez le service agréé
E11	Erreur Système	<ul style="list-style-type: none"> Il peut y avoir une erreur d'équipement 	<ul style="list-style-type: none"> Contactez le service agréé
E12			

Code d'incident	Incident	Cause	Solution
E13	Erreur de Dévidage	<ul style="list-style-type: none"> Il peut y avoir une erreur dans le devidage 	<ul style="list-style-type: none"> Vérifier les connexions du dévidoir, de la bobine/pression à bobine et de la torche Si le problème persiste, contactez le service agréé
E14	Erreur Système	<ul style="list-style-type: none"> Il peut y avoir une erreur d'équipement 	<ul style="list-style-type: none"> Contactez le service agréé
E15	Erreur de Communication de La Télécommande	<ul style="list-style-type: none"> Il peut y avoir une erreur dans les connexions de la télécommande 	<ul style="list-style-type: none"> Vérifiez les connexions de la télécommande Si le problème persiste, contactez le service agréé
E16	Erreur Système	<ul style="list-style-type: none"> Il peut y avoir une erreur d'équipement 	<ul style="list-style-type: none"> Contactez le service agréé
E17			
E18			
E19	Protection Thermique (Secondaire)	<ul style="list-style-type: none"> Le temps de fonctionnement de votre poste a peut-être été dépassé 	<ul style="list-style-type: none"> Laissez la poste refroidir en attendant un moment. Si le défaut disparaît, essayez de l'utiliser à des valeurs d'ampérage inférieures Si le problème persiste, contactez le service agréé
		<ul style="list-style-type: none"> Le ventilateur ne fonctionne peut-être pas 	<ul style="list-style-type: none"> Vérifiez visuellement si le ventilateur fonctionne ou non Si le problème persiste, contactez le service agréé
		<ul style="list-style-type: none"> L'avant de l'entrée d'air - les canaux de sortie peuvent être bloqués 	<ul style="list-style-type: none"> Ouvrez les conduits d'aération Si le problème persiste, contactez le service agréé
		<ul style="list-style-type: none"> L'environnement de travail de la poste peut être extrêmement chaud ou étouffant 	<ul style="list-style-type: none"> Assurez-vous que l'environnement de travail de la poste n'est pas excessivement chaud ou étouffant Si le problème persiste, contactez le service agréé
E20	Erreur Système	<ul style="list-style-type: none"> Il peut y avoir une erreur d'équipement 	<ul style="list-style-type: none"> Contactez le service agréé
E21			
E22			
E23			
E26	Pression d'admission basse	<ul style="list-style-type: none"> La pression d'entrée peut être faible 	<ul style="list-style-type: none"> Vérifiez vos connexions air/gaz, assurez-vous que la pression d'entrée est appropriée, si la pression d'entrée est normale, contactez le service agréé
E27	Protection de Torche Non Installé	<ul style="list-style-type: none"> La protection de torche ne doit pas être installé ou bien branché 	<ul style="list-style-type: none"> Assurez-vous que la protection de la torche est correctement installée Si le problème persiste, contactez le service agréé
E28	Erreur Système	<ul style="list-style-type: none"> Il peut y avoir une erreur d'équipement 	<ul style="list-style-type: none"> Contactez le service agréé
E29	Tension du Bus DC Faible	<ul style="list-style-type: none"> La tension d'alimentation peut être faible 	<ul style="list-style-type: none"> Vérifiez les câbles de raccordement à l'alimentation et la tension. Assurez-vous que la tension d'entrée correcte est fournie. Si la tension secteur est normale, contactez le service agréé

Code d'incident	Incident	Cause	Solution
E30	Tension du Bus DC Élevée	<ul style="list-style-type: none">• La tension secteur peut être élevée	<ul style="list-style-type: none">• Vérifiez les câbles de raccordement au secteur et la tension. Assurez-vous que la tension d'entrée correcte est fournie. Si la tension secteur est normale, contactez le service agréé
E31	Erreur Système	<ul style="list-style-type: none">• Il peut y avoir une erreur d'équipement	<ul style="list-style-type: none">• Contactez le service agréé

ANNEXE

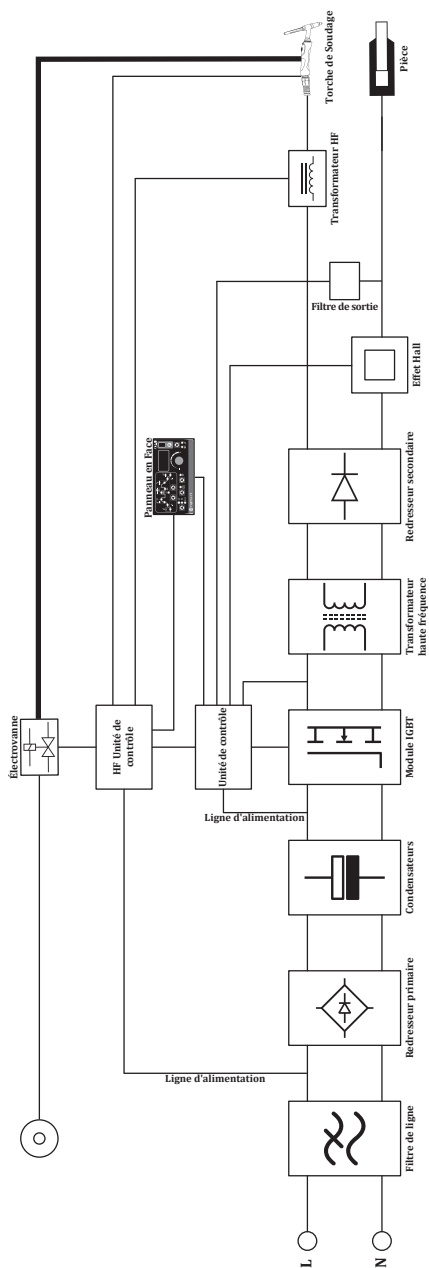
5.1 Listes des Pièces Détachées



N°	DESCRIPTION	monoTIG 165ip
1	Prise de soudage	A377900104
2	Carte électronique E203A PWR/200 TIG	K405000176
3	Carte électronique E201B-FLT TIG	K405000295
4	Ventilateur compact	A250200026
5	Carte électronique M.TIG 200I E204A-GR	K405000191
6	Carte électronique E203A AC PWR	K405000226
7	Carte électronique E505A-3	K405000185
8	Transformateur HF	A490900023
9	Carte électronique E506A-1,3	Y524000046
	Capteur à effet Hall	A830900004

5.2 Schémas de connexion

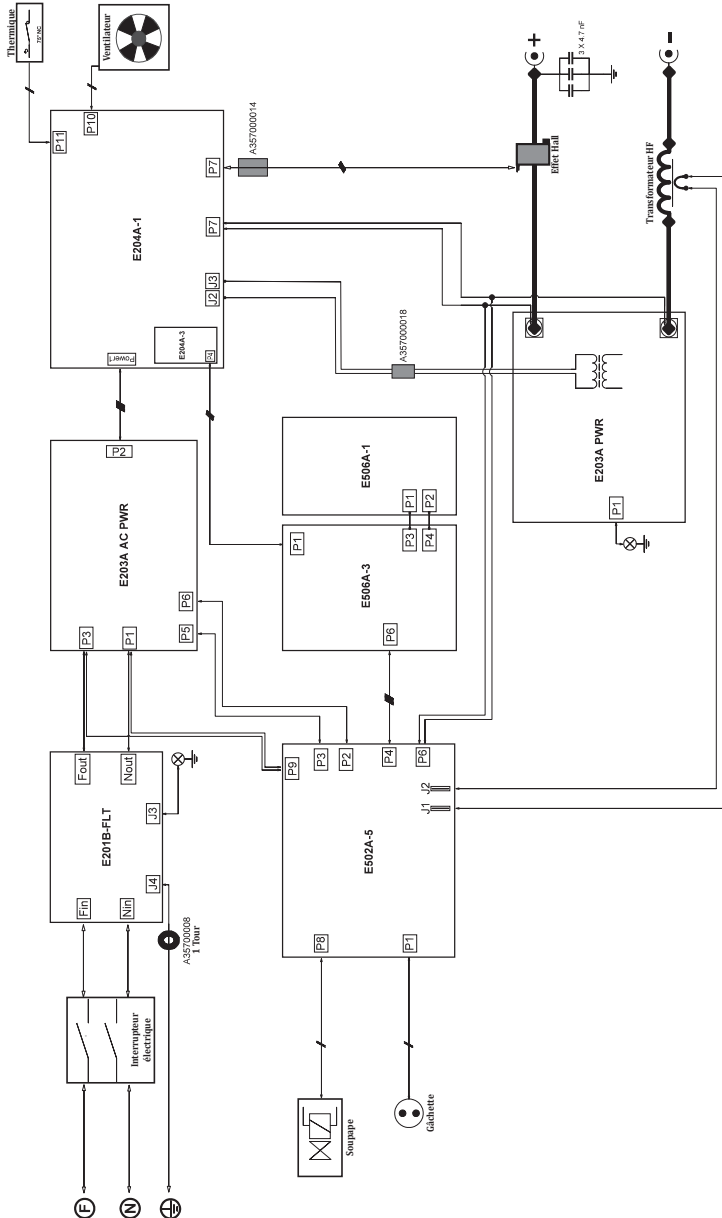
Diagramme



FR

FR

Schémas de circuit



INFORMATION PRODUIT

Modèle

Numéro de série

FABRICANT

Nom

MAGMA MEKATRONİK MAKİNE SANAYİ VE TİCARET A.Ş.

Adresse

Organize Sanayi Bölgesi 5. Kısım MANİSA

Téléphone / Courriel

+90 236 226 27 00 / info@magmaweld.com

INFORMATIONS D'ACHAT

Nom du revendeur

Ville / Pays

Téléphone / Courriel

Date d'achat

INFORMATIONS CLIENT

Nom de l'entreprise

Ville / Pays

Téléphone / Courriel

Nom du contact

INFORMATIONS SUR LA MISE EN ROUTE (le cas échéant)Nom de l'entreprise de la
mise en route

Nom du technicien

Date de la mise en route
(Date de début de garantie)

Veuillez visiter notre site web www.magmaweld.fr/conditions-de-garantie/wt
pour les conditions de garantie.

 **СОДЕРЖАНИЕ**

	ПРАВИЛА ТЕХНИКИ БЕЗОПАСНОСТИ	68
1	ТЕХНИЧЕСКАЯ ИНФОРМАЦИЯ	
1.1	Общее описание	75
1.2	Комплектующие сварочного аппарата	75
1.3	Этикетка продукта	76
1.4	Технические характеристики	77
1.5	Принадлежности	77
2	ИНФОРМАЦИЯ ПО УСТАНОВКЕ И НАСТРОЙКЕ	
2.1	Контроль доставки	78
2.2	Рекомендации по установке и эксплуатации	78
2.3	Подсоединение электрической розетки	79
2.4	Подключение к сети	79
2.5	Соединения для сварки TIG	79
2.5.1	Соединения горелки	79
2.5.2	Газовые соединения	80
2.5.3	Соединения триггерных сокетов	80
2.5.4	Подсоединение клемм заземления	80
2.5.5	Установка расходных деталей горелки	81
2.6	Соединения для сварки покрытым электродом	81
3	ИНФОРМАЦИЯ ПО ЭКСПЛУАТАЦИИ	
3.1	Интерфейс пользователя	82
3.2	Кривая изменения сварочного тока в процессе TIG-сварки	88
3.3	Технические характеристики аппарата	89
3.4	Информация о потреблении	89
4	ТЕХОБСЛУЖИВАНИЕ И УСТРАНЕНИЕ НЕИСПРАВНОСТЕЙ	
4.1	Техобслуживание	90
4.2	Устранение неисправностей	91
4.3	Коды неисправностей	93
5	ПРИЛОЖЕНИЕ	
5.1	Список запасных частей	96
5.2	Схемы подключения	97

ПРАВИЛА ТЕХНИКИ БЕЗОПАСНОСТИ

Соблюдайте все правила техники безопасности, указанные в этом руководстве!

Описание сведений по технике безопасности



- Знаки по технике безопасности, указанные в руководстве, используются для определения потенциальных источников опасности.
- При размещении какого-либо знака по технике безопасности в этом руководстве его следует понимать как указание на наличие риска телесных повреждений и во избежание потенциальной опасности внимательно ознакомиться с предоставленными далее пояснениями.
- Владелец оборудования несёт ответственность за предотвращение доступа посторонних лиц к оборудованию.
- Лица, осуществляющие эксплуатацию оборудования, должны иметь опыт или пройти полную подготовку по вопросу выполнения сварочных сварка / резка; перед работой на оборудовании ознакомьтесь с руководством по эксплуатации и соблюдайте инструкции по технике безопасности.

Описание знаков по технике безопасности

ВНИМАНИЕ



Указывает на потенциально опасную ситуацию, которая может привести к травме или повреждению. Несоблюдение этой меры предосторожности может привести к травме или потере/повреждению имущества.



ВАЖНО

Указывает на информацию и предупреждения, касающиеся эксплуатации.



ОПАСНОСТЬ

Указывает на серьёзную опасность. В случае непринятия мер может привести к смерти или серьёзным травмам.

Понимание предупреждений по технике безопасности



- Внимательно прочитайте руководство по эксплуатации, а также ознакомьтесь с маркировкой (ярлыком) и предупреждениями по технике безопасности, размещёнными на оборудовании.
- Убедитесь, что предупреждающая маркировка находится в надлежащем состоянии. Замените отсутствующие и повреждённые ярлыки.
- Ознакомьтесь со способом эксплуатации оборудования и правильными методами управления оборудованием.
- Осуществляйте эксплуатацию вашего оборудования в соответствующей одежде.
- Несоответствующие изменения, проводимые на вашем оборудовании, негативно скажутся на безопасной эксплуатации и сроке службы оборудования.
- Производитель не несёт ответственности за какие-либо последствия, возникающие в результате эксплуатации устройства за пределами вышеуказанных условий.

Поражение электротоком может привести к летальному исходу



Убедитесь, что процедуры установки соответствуют национальным электрическим стандартам и иным соответствующим нормам, а также обеспечьте установку оборудования компетентными лицами.

- Пользуйтесь сухими и неповреждёнными изолированными перчатками и рабочим фартуком. Запрещается использовать мокрые или повреждённые перчатки и рабочие фартуки.
- Носите огнестойкую защитную одежду, чтобы избежать ожогов. Одежда, используемая оператором, должна защищать от искр, брызг и излучения дуги.
- Не работайте в одиночку. В случае опасности убедитесь, что у вас есть помощник на рабочем месте.
- Не касайтесь электрода голыми руками. Не допускайте контакта держателя электрода или электрода с другими людьми или заземлёнными предметами.
- Никогда не прикасайтесь к частям, которые разносят электричество.
- Не прикасайтесь к электроду при контакте с электродом, подключённым к рабочей поверхности, полу или другому оборудованию.

- Вы можете защитить себя от возможных поражений электрическим током, изолировав себя от рабочей поверхности и пола. Используйте сухой, неповрежденный, невоспламеняющийся электроизоляционный материал таких размеров, чтобы он был пригодным для предотвращения контакта оператора с рабочей поверхностью.
- Не подключайте более одного электрода к держателю электрода.
- Подсоедините зажим заземления к заготовке или рабочему столу как можно ближе, чтобы обеспечить хороший контакт металла с металлом.
- Проверьте горелку перед работой со сварочным аппаратом. Убедитесь, что горелка и его кабели в хорошем состоянии. Обязательно замените поврежденную изношенную горелку.
- Не касайтесь держателей электродов, подключенных к двум сварочным аппаратам одновременно, так как будет присутствовать двойное напряжение холостого хода.
- Держите аппарат выключенным и отсоедините кабели, когда она не используется.
- Перед ремонтом машины отключите все электрические соединения и / или разъёмы или выключите машину.
- Будьте осторожны при использовании длинного сетевого кабеля.
- Убедитесь, что все соединения чистые и сухие.
- Следите за тем, чтобы кабели были сухими, чистыми и обезжиренными, а также защищенными от горячего металла и искр.
- Оголенная проводка может убить. Часто проверяйте все кабели на предмет возможных повреждений. Если обнаружен поврежденный или неизолированный кабель, немедленно отремонтируйте или замените его.
- Если зажим заземления не подключен к заготовке, изолируйте его, чтобы предотвратить контакт с любым металлическим предметом.
- Убедитесь, что заземление линии питания подключено правильно.
- Не используйте источник переменного тока во влажных, сырых или перегруженных местах, а также в местах, где существует опасность падения.
- Используйте источник переменного тока ТОЛЬКО, если это необходимо для процесса сварки.
- Если требуется источник переменного тока, используйте дистанционное управление источником, если оно имеется на устройстве.

Дополнительные меры предосторожности требуются при наличии любого из следующих электрически опасных условий:

- во влажных местах или в мокрой одежде,
- на металлических конструкциях, таких как полы, решетки или строительные леса,
- когда вы находитесь в стесненном положении, например, сидя, на коленях или лежа,
- когда существует высокий риск неизбежного или случайного контакта с заготовкой или землей.

Для этих условий используйте следующее оборудование:

- Полуавтоматический аппарат для сварки MIG постоянного напряжения (CV),
- Ручной сварочный аппарат MMA постоянного тока,
- Сварочный аппарат постоянного или переменного тока с пониженным напряжением холостого хода (VRD), если имеется.

Процедуры при поражении электрическим током



- Отключите электричество.
- Используйте непроводящий материал, например сухую древесину, чтобы освободить пострадавшего от контакта с токоведущими частями или проводами.

Если у вас есть обучение оказанию первой помощи;

- Если пострадавший не дышит, проведите сердечно-легочную реанимацию (СЛР) сразу после разрыва контакта с источником электричества. Продолжайте СЛР (массаж сердца) до тех пор, пока не начнется дыхание или пока не придет помощь.
- Если имеется автоматический электронный дефибриллятор (AED), используйте его в соответствии с инструкциями.
- Относитесь к электрическому ожогу как к термическому ожогу, прикладывая стерильные холодные (ледяные) компрессы. Избегайте загрязнения и накройте чистой сухой повязкой.

Движущиеся части могут привести к телесным повреждениям



- Не приближайтесь к движущимся объектам.
- Закрывайте и запирайте все крышки, панели, дверцы и т.п. защитные приспособления оборудования и устройств.
- Носите ботинки с металлическим носком на случай падения тяжелых предметов.

Дым и газы могут нанести вред вашему здоровью



Во время выполнения сварки / резки и резки чрезвычайно опасно вдыхать дым и газ в течение длительного времени.

- Жжение и раздражение глаз, носа и горла указывают на недостаточность вентиляции. В этом случае необходимо незамедлительно улучшить уровень вентиляции и, если проблема не устранена, остановить сварку / резку.
- Предусмотрите на рабочем участке систему естественной или искусственной вентиляции.
- На участках выполнения сварки / резки или резки используйте соответствующую систему удаления дыма. При необходимости установите систему, которая обеспечит вывод дыма и газов, накапливающихся в цехе в целом. Во избежание загрязнения окружающей среды во время выброса газов используйте соответствующую систему фильтрации.
- При проведении работ в ограниченном пространстве или при выполнении сварки / резки материалов с покрытием из свинца, бериллия, кадмия, цинка, а также окрашенных материалов, помимо вышеуказанных мер предосторожности, используйте маски, обеспечивающие подачу свежего воздуха.
- Если газовые баллоны сгруппированы в отдельной зоне убедитесь в наличии хорошей вентиляции в этом помещении; закрывайте главные клапаны по окончании использования газовых баллонов, проверяйте баллоны на предмет утечки газа.
- Защитные газы (аргон и т.п.) плотнее воздуха и при использовании в помещении могут попадать в дыхательные пути вместо воздуха. Это опасно для вашего здоровья.
- Не проводите сварочные работы при наличии паров хлорированных углеводородов, выделяющихся во время смазочных и покрасочных работ.
- Некоторые сварные / вырезанные детали требуют специальной вентиляции. Следует внимательно прочитать правила безопасности продуктов, требующих специальной вентиляции. В случаях, когда требуется противогаз, следует надеть подходящий противогаз.

Излучение сварочной дуги может нанести вред вашим глазам



- Для защиты глаз и лица используйте соответствующую защитную маску и пригодный для маски стеклянный фильтр.
- Защищайте от этого излучения также другие части тела (руки, шею, уши и т.д.) соответствующей защитной одеждой.
- Для предупреждения возникновения у окружающих повреждений от воздействия сварочной дуги и горячих металлов, оградите ваш рабочий участок огнестойкими экранами высотой на уровне глаз и повесьте предупреждающие знаки.
- Оборудование не предназначено для нагревания замёрзших труб. Проведение таких работ сварочным аппаратом может привести к взрыву, пожару или повреждению вашего оборудования.

Искры и разбрызгивающиеся частицы могут нанести повреждения глазам



- При выполнении таких работ, как сварка, шлифовка или зачистка поверхности, могут образоваться искры и происходить разбрызгивание металлических частиц. Для предупреждения телесных повреждений надевайте под маску утверждённые к применению защитные рабочие очки с боковыми щитками.

Горячие детали могут привести к тяжёлым ожогам



- Не прикасайтесь к горячим деталям голыми руками.
- Перед работой с деталями оборудования подождите некоторое время, пока они остынут.
- При необходимости контакта с горячими деталями, используйте соответствующие инструменты, теплоизоляционные сварочные перчатки и огнеупорную одежду.

Повышенный Уровень Шума Может Нанести Вред Слуху



- Шум, выделяемый некоторым оборудованием и работами, может нанести вред слуху.
- При повышенном уровне шума используйте утверждённые к применению защитные наушники.

Сварочная проволока может нанести телесные повреждения



- При разматывании катушки сварочной проволоки не направляйте горелку на какую-либо часть тела, а также на других людей или какие-либо металлические предметы.
- При разматывании вручную катушки сварочной проволоки, особенно, небольшого диаметра, проволока может выскочить из ваших рук, как пружина, и травмировать вас или окружающих, поэтому при выполнении этих работ особое внимание уделите защите глаз и лица.

Сварка может привести к пожарам и взрывам



- Запрещается производить сварку вблизи легковоспламеняющихся материалов. Это может привести к пожару или взрыву.
- Перед проведением сварочных работ удалите эти предметы с участка или накройте их защитными покрытиями для предупреждения возгораний.
- На этих участках применяются специальные национальные и международные правила.

- Не производите сварку и резку полностью закрытых труб или трубок.
- Перед выполнением сварка / резка труб и закрытых емкостей откройте их, полностью опорожните, проветрите и очистите. Соблюдайте максимальную осторожность при выполнении сварка / резка на таких участках.
- Не производите сварку опорожнённых труб и трубок, которые ранее содержали вещества, способные вызвать взрыв, пожар или другие реакции.
- Сварочное оборудование имеет свойство нагреваться. Поэтому не размещайте его на легко воспламеняемых или легко повреждаемых поверхностях!

- Сварочные искры могут привести к возникновению пожара. По этой причине обеспечьте наличие в легко доступных для вас местах таких материалов, как огнетушители, вода и песок.
- Используйте обратные клапаны, газовые регуляторы и клапаны в сетях горючих, взрывоопасных газов и сжатого газа.

Выполнение технического обслуживания оборудования устройства некомпетентными лицами может привести к телесным повреждениям



- Запрещается привлекать некомпетентных лиц к ремонту оборудования. Ошибки, которые могут быть допущены при нарушении этого требования, могут привести к серьёзным травмам или летальному исходу.
- Элементы газовой сети работают под давлением; в результате манипуляций, производимых некомпетентными лицами, могут возникнуть взрывы, и пользователи могут получить серьёзные травмы.
- Рекомендуется производить обслуживание оборудования и его периферийных устройств не реже одного раза в год.

Сварка / Резка на небольших участках и участках с ограниченным пространством



- Выполняйте сварку/резку на небольших участках и участках с ограниченным пространством в присутствии ещё одного человека.
- По мере возможности избегайте проведения сварочных работ/резки в ограниченных пространствах.

Несоблюдение необходимых мер предосторожности при перемещении оборудования может привести к несчастным случаям



- При перемещении оборудования соблюдайте все необходимые меры предосторожности. Участки, на которых будет производиться перемещение, части, подлежащие перемещению, а также физическое состояние и здоровье людей, вовлечённых в процесс перемещения оборудования, должны соответствовать требованиям процедуры перемещения и транспортировки.
- Некоторое оборудование имеет большую массу, поэтому при перемещении убедитесь в принятии всех мер предосторожности по охране окружающей среды.
- Если сварочный аппарат предполагается использовать на платформе, необходимо убедиться в том, что такая платформа имеет соответствующие пределы нагрузки.
- При перемещении оборудования при помощи какого-либо механизма (тележка, вилочный погрузчик и пр.) убедитесь в надлежащем состоянии точек крепления механизма и оборудования (крепление подвесок, ремней для перемещения, болтов, гаек, колёс и т.п.).
- При выполнении перемещения вручную убедитесь в надлежащем состоянии приспособлений оборудования (подвески, ремни для перемещения и т.п.) и их креплений.

- С целью обеспечения необходимых требований для перемещения соблюдайте правила Международной организации труда в отношении веса перемещаемого оборудования, а также нормативы по перемещению оборудования, действующее в вашей стране.
- При перемещении источника питания используйте специальные приспособления (держатели или проушины). Запрещается перемещать оборудование, удерживая его за горелку, кабель или шланги. Перемещение газовых баллонов осуществляйте отдельно от всего оборудования.
- Перед перемещением сварочного и режущего оборудования демонтируйте все промежуточные соединения, осуществляйте поднятие и перемещение небольших частей посредством ручек, а более крупных частей с помощью соответствующих приспособлений (проушины) или вилочных погрузчиков.

Падение частей оборудования может привести к телесным повреждениям



Неправильное расположение источника питания или иного оборудования может привести к серьёзным травмам и повреждению имущества.

- Во избежание падений и опрокидывания вашего оборудование его необходимо разместить на основании (полу) или платформе с максимальным уклоном 10°. Это предупредит воспрепятствование подаче материала и риск застопоривания в кабелях и шлангах; предпочитайте для установки оборудования неподвижные широкие, не запылённые, легко вентилируемые участки. Во избежание опрокидывания газовых баллонов закрепите их, при наличии, на пригодной для баллонов платформе, находящейся на оборудовании, а при стационарном использовании, зафиксируйте баллон надёжным способом, прикрепив его к стене.
- Обеспечьте операторам лёгкий доступ к настройкам и подключениям на оборудовании.

Чрезмерная эксплуатация приводит к перегреву оборудования



- Обеспечьте остывание оборудования в соответствии с рабочим циклом.
- Перед повторным началом сварочных работ уменьшите коэффициент тока или загрузку рабочего цикла.
- Не закрывайте вентиляционные отверстия оборудования.
- Не устанавливайте фильтры в вентиляционные отверстия оборудования без разрешения производителя.

Дуговая сварка может вызвать электромагнитные помехи



- Данное устройство относится к группе 2, класс А в испытаниях электромагнитной совместимости (ЭМС) в соответствии со стандартом TS EN 55011.
- Данное устройства класса А не предназначено для эксплуатации в жилых помещениях с подачей электроэнергии от низковольтной сети. Возможны затруднения в достижении электромагнитной совместимости в связи с радиочастотными помехами, передача и распространение которых имеют место на таких участках.



Это устройство не соответствует стандарту IEC61000-3-12. При необходимости подключения к низковольтной сети, используемой в бытовых условиях, специалист, который будет осуществлять электрическое подключение, или лицо, которое будет эксплуатировать оборудование, должны быть осведомлены в вопросе особенности подключения оборудования, в этом случае пользователь несёт ответственность за проведение таких работ.

- Убедитесь, что рабочая зона соответствует электромагнитной совместимости (ЭМС). Электромагнитные помехи во время сварка / резка или резки могут вызвать нежелательные воздействия на ваши электронные устройства в вашей сети, и пользователь несёт ответственность за какие-либо помехи, которые могут возникнуть во время проведения работ.
- При возникновении каких-либо помех, могут быть приняты дополнительные меры для обеспечения совместимости в виде использования коротких кабелей, экранированных кабелей, перемещения сварочного аппарата в другое место, отдаления кабеля от оборудования и/или участка, попавшего под воздействие использования фильтров или защиты рабочего участка в аспекте ЭМС.
- Во избежание возможных повреждений в связи с нарушением ЭМС выполняйте сварочные работы как можно дальше (100м) от вашего чувствительного электронного оборудования.
- Убедитесь в установке и размещении вашего сварочного аппарата или газового резака в соответствии с руководством по эксплуатации.

**Оценка
электромагнитной
совместимости
рабочего
участка**



Согласно пункту 5.2 стандарта IEC 60974-9,

Перед установкой сварочного и режущего оборудования уполномоченное лицо предприятия и/ или пользователь должны произвести осмотр участка на предмет возможных электромагнитных помех на прилегающей территории. Необходимо обратить внимание на следующие вопросы:

- a) наличие других кабелей питания, кабелей управления, сигнальных и телефонных кабелей сверху, снизу и рядом со сварочным аппаратом и оборудованием;
- b) наличие радио- и телевизионных передатчиков и приемников;
- c) наличие компьютерного и иного оборудования, используемого для управления;
- d) наличие критического оборудования для обеспечения безопасности, например для защиты промышленного оборудования;
- e) наличие медицинских аппаратов (например, кардиостимуляторов и слуховых аппаратов), используемых населением на прилегающей территории;
- f) наличие оборудования, используемого для измерения или калибровки;
- g) невосприимчивость иного оборудования, находящегося на прилегающей территории. Пользователь должен убедиться, что иное оборудование, используемое на прилегающей территории, является совместимым. Это может потребовать дополнительных мер защиты;
- h) Границы рассматриваемого участка могут быть расширены в соответствии с размерами прилегающей территории, конструкцией зданий и иными работами, выполняемыми в здании, с учётом времени, в течение которого предполагается производить сварочные или иные работы в течение дня.

В дополнение к оценке участка также может потребоваться оценка мест установки устройств с целью устранения нарушающего совместимость воздействия. При необходимости, для подтверждения эффективности мер по снижению воздействия также можно провести измерения на месте. (Источник: МЭК 60974-9).

**Методы снижения
помех**



- Устройство должно быть подключено к источнику питания компетентным специалистом в соответствии с рекомендациями. При возникновении помех могут применяться дополнительные меры, такие как фильтрация сети. Электропитание оборудования для дуговой сварка / резка с фиксированным креплением должно осуществляться при помощи кабеля, проложенного через металлическую трубу или эквивалентного экранированного кабеля. Необходимо подключить экран и корпус источника питания, и между этими двумя конструкциями должен быть обеспечен хороший электрический контакт.
- Необходимо выполнять рекомендуемое плановое обслуживание устройства. При эксплуатации устройства должны быть закрыты и/или заперты все крышки корпуса оборудования. Без письменного разрешения производителя в устройство запрещается вносить какие-либо изменения или модификации, отличные от стандартных настроек. В противном случае вся ответственность за какие-либо последствия возлагается на пользователя.
- Сварочные кабели должны быть максимально короткими. Кабели должны выходить из пола рабочего участка бок о бок. Наматывание сварочных кабелей запрещено.
- Во время сварки / резки в оборудовании генерируется магнитное поле. Это может привести к притяжению оборудования металлическими предметами.
Для предотвращения этого убедитесь в размещении металлических материалов на безопасном расстоянии или в надёжной фиксации таких материалов. Оператор должен быть изолирован от всех таких взаимосвязанных металлических материалов.
- В случае отсутствия заземления обрабатываемого объекта или изделия, по соображениям электрической безопасности или в связи с его габаритными размерами и положением (например, при изготовлении корпуса судна или стальной конструкции), подключение между обрабатываемым объектом или изделием и землёй в некоторых случаях может снизить выбросы, и необходимо помнить, что заземление обрабатываемого объекта или изделия может привести к телесным повреждениям пользователя или неисправностям иного электрического оборудования, находящегося на прилегающей территории. При необходимости, заземление обрабатываемого объекта или изделия может быть выполнено прямым способом, но в некоторых странах, в которых прямое заземление запрещено, подключение может быть создано при помощи соответствующих элементов ёмкости в соответствии с местными нормами и правилами.
- Экранирование и защита других устройств и кабелей на рабочем участке может предотвратить возникновение воздействий, нарушающих совместимость. Для некоторых случаев может рассматриваться полное экранирование участка сварки / резки.

Дуговая сварка может создавать электромагнитное поле (ИМФ)



Электрический ток, проходящий через какой-либо проводник, создаёт локальные электрические и магнитные поля (ЭМП). Все сварщики должны применять следующие процедуры с целью минимизации риска воздействия ЭМП от сварочной цепи:

- Для уменьшения магнитного поля сварочные кабели должны быть объединены и как можно более надёжно закреплены с помощью крепёжных материалов (ленты, кабельные стяжки и т.п.).
- Тело и голова сварщика/рабочего должны находиться как можно дальше от сварочного аппарата и кабелей.
- Сварочные и электрические кабели ни в коем случае нельзя наматывать на корпус аппарата.
- Тело сварщика не должно находиться между сварочными кабелями. Оба сварочных кабеля должны находиться вдали от тела сварщика, рядом друг с другом.
- Обратный кабель должен быть подключён к обрабатываемому объекту или изделию максимально близко к участку сварки / резки.
- Запрещается опираться, садиться на источник питания сварочного аппарата, а также работать в непосредственной близости к нему.
- Запрещается производить сварки / резки во время перемещения устройства подачи сварочной проволоки или источника питания сварочного аппарата.

ЭМП также может нарушать работу медицинских имплантатов (кардиостимуляторы и т.п.). В виду этого для людей с медицинскими имплантатами должны быть приняты отдельные меры предосторожности. Например, введение ограничений на доступ для пересекающих дорогу людей, а также оценка индивидуальных рисков для сварщиков. Оценка рисков и выдача рекомендаций для пользователей с медицинскими имплантатами должна выполняться медицинским работником.

Защита



- Не подвергайте оборудование воздействию дождя, избегайте попадания на оборудование брызг воды или пара под давлением.

Энергоэффективность



- Выберите метод сварка / резка и сварочный аппарат, соответствующий запланированным сварочным работам.
- Установите параметры сварочного тока и/или напряжения, соответствующие материалу, подлежащему сварки / резки, а также его толщине.
- При длительном простое сварочного оборудования выключите оборудование после его охлаждения вентилятором. Наше оборудование (наша продукция), оснащённое вентилятором с интеллектуальным управлением, отключается автоматически.

Процедура утилизации отходов



- Это устройство не является бытовым мусором. Утилизация устройства должна осуществляться в рамках национального законодательства в соответствии с директивой Европейского Союза.
- Получите информации об утилизации отходов вашего использованного оборудования у вашего дилера и компетентных лиц.

ФОРМА ГАРАНТИИ



Пожалуйста, посетите наш сайт www.magmaweld.ru/гарантийный-малон/wr для формы гарантии.

ТЕХНИЧЕСКАЯ ИНФОРМАЦИЯ

1.1 *Общее описание*

monoTIG 165ip представляют собой аппараты инверторного типа для импульсной сварки TIG и MMA. Все параметры сварки можно регулировать с помощью панели управления и контролировать с помощью цифровых дисплеев. Подходит для работы с генераторами, которые обеспечат соответствующую мощность и частоту. (Подробную информацию см. в технических характеристиках машины.) Он охлаждается вентилятором и имеет термическую защиту от перегрева.

RU

1.2 *Комплекующие сварочного аппарата*

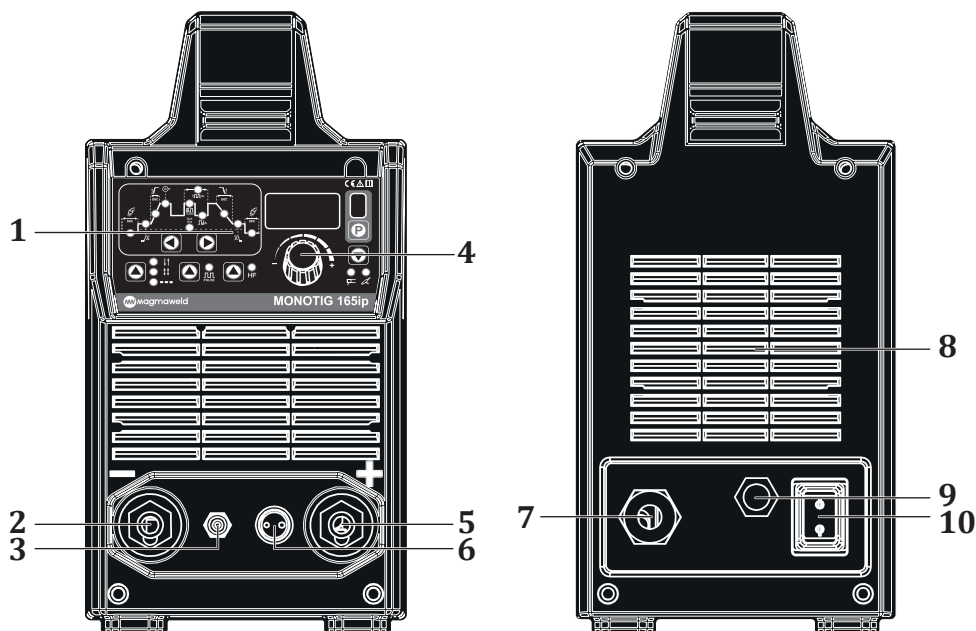
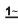










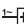


Рисунок 1: Вид спереди и сзади

- | | |
|---|---------------------------------|
| 1- Панель управления | 6- Гнездо управления триггером |
| 2- Гнездо кабеля источника и заземления (-) | 7- Ввод кабеля питания |
| 3- Выход газа | 8- Вентилятор |
| 4- Горшок для установки | 9- Вход газа |
| 5- Гнездо кабеля источника и заземления (+) | 10- Кнопка включения/выключения |

1.3 Этикетка продукта

MAGMA MEKATRONİK MAKİNE SAN. VE TİC. A.Ş. Organize Sanayi Bölgesi 5.Kısım Manisa-TÜRKİYE					
MONOTIG 165ip		S/N:			
1-     		EN 60974-1/-10 Cl. A			
	---	5A / 10.2V - 160A / 16.4V			
		$X^{(40^{\circ}\text{C})}$	30%	60%	100%
	$U_0=65\text{V}$	I_2	160A	113A	88A
		U_2	16.4V	14.5V	13.5V
	$U_1=230\text{V}$	$I_{1\text{max}}=21.8\text{A}$	$I_{\text{ref}}=12\text{A}$		
1-50-60Hz					
	---	5A / 20.2V - 160A / 26.4V			
		$X^{(40^{\circ}\text{C})}$	20%	60%	100%
	$U_0=65\text{V}$	I_2	160A	92A	72A
		U_2	26.4V	23.7V	22.9V
	$U_1=230\text{V}$	$I_{1\text{max}}=32.2\text{A}$	$I_{\text{ref}}=14.5\text{A}$		
1-50-60Hz					
IP23		CE	EAC	UK	

     Однофазный Трансформатор - Выпрямитель

X

Рабочий Цикл



TIG - Сварка

 U_0

Напряжение Работы Без Нагрузки



MMA - Сварка

 U_1

Напряжение И Частота Сети



Постоянный Ток

 U_2

Номинальное Напряжение Сварочного Тока



Сетевой Вход-1-Фазный Переменный Ток

 I_1

Номинальное Потребление Тока Сети



Пригоден Для Работы В Опасных Условиях

 I_2

Номинальный Сварочный Ток

S/N

Серийный номер

 S_1

Потребляемая Мощность Сети

• S / N (Серийный номер) Описание

IP23S

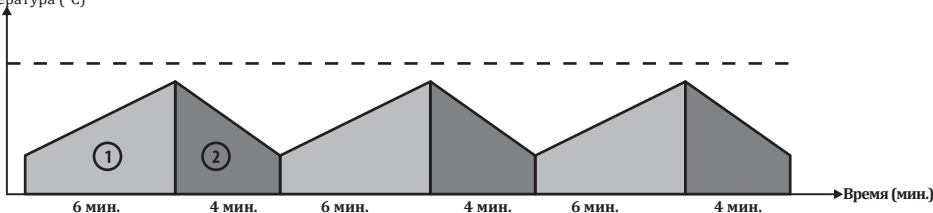
Класс Защиты

ID аппарата				Продукция				Порядковый номер				
				Год	Неделя							
X	X	X	X	X	X	X	X	X	X	X	X	X

Группа аппаратов
Порядковый номер аппаратов

Порядковый номер машины, произведенной в этом году

Рабочий цикл
Температура (°C)



Согласно стандарту EN 60974-1, продолжительность рабочего цикла включает период времени 10 минут. Например, если машина, указанная как 250А при% 60, должна работать при 250А, машина может выполнять сварку / резку без перерыва в первые 6 минут из 10-минутного периода (зона 1). Тем не менее, следующие 4 минуты следует оставить без нагрузки для охлаждения машины (зона 2).

1.4 Технические характеристики

ТЕХНИЧЕСКИЕ ХАРАКТЕРИСТИКИ	Ед. изм.	monoTIG 165ip
Сетевое Напряжение (1 фаза - 50-60 Гц)	В	230
Входная Мощность (ММА)	кВА	7.41 (%30)
Входная Мощность (TIG)	кВА	5.01 (%30)
Эффективность источника питания	%	ММА 85,23 / TIG 85,16
Потребляемая мощность в режиме ожидания	W	N/A (EN IEC 60974-1,Annex M)
Диапазон Настройки Сварочного Тока	А пост.тока	5-160
Номинальный сварочный ток	А пост.тока	160 (%30)
Напряжение открытого контура сварки	В пост.тока	65
Диапазон диаметров сварочных электродов	мм	2.00 - 3.25
Диапазон диаметров вольфрамовых электродов	мм	1.00 - 2.40
Размеры (ДxШxВ)	мм	521 x 160 x 311
Вес	кг	10,6
Класс защиты		IP23

1.5 Принадлежности

СТАНДАРТНЫЕ ПРИНАДЛЕЖНОСТИ	КОЛ-ВО	monoTIG 165ip
Клемма и кабель заземления	1	7905201603
Газовый шланг	1	7907000002
Факел	1	7110018004
ДОПОЛНИТЕЛЬНЫЕ АКСЕССУАРЫ	КОЛ-ВО	monoTIG 165ip
Зажим электрода и кабель	1	7906201603
Газовый Регулятор	1	7020001004
Система Охлаждения Воды (CSP 40)	1	7910005200
Горелка TIG Lava TIG 26 (8 м) с воздушным охлаждением	1	7110018008
Горелка TIG Lava TIG 18 Вт (4 м) с водяным охлаждением	1	7110038004
Горелка TIG Lava TIG 18 Вт (8 м) с водяным охлаждением	1	7110038008
Набор принадлежностей для сварки TIG с воздушным охлаждением (горелка + регулятор)	1	7910000510
Набор принадлежностей для сварки TIG с водяным охлаждением (горелка + регулятор)	1	7910000530
Транспортная тележка	1	7910000100

ИНФОРМАЦИЯ ПО УСТАНОВКЕ И НАСТРОЙКЕ

2.1 Контроль доставки

Убедитесь, что вместе со сварочным аппаратом доставлены все заказанные материалы. В случае отсутствия или повреждения какого-либо материала, немедленно свяжитесь с компанией, у которой был приобретен сварочный аппарат.

Стандартная комплектация сварочного аппарата содержит следующее:

- Сварочный аппарат и подключенный сетевой кабель.
- Руководство пользователя
- Зажим для заготовки и кабелей
- Факел
- Гарантийный сертификат

В случае если во время получения аппарата будут выявлены повреждения, составьте протокол и сфотографируйте повреждения. Приложите протокол и фотографии к фотокопии накладной и известите транспортную компанию. В случае отсутствия ответа на ваше обращение в транспортную компанию, обратитесь в службу поддержки клиентов.

Символы и обозначения, установленные на сварочном аппарате:



Процесс сварки представляет опасность для человека и окружающих предметов. Выполнение сварки должно осуществляться в соответствующих условиях с принятием необходимых мер безопасности. Ответственность за сохранность и исправность сварочного аппарата, обеспечение необходимого оснащения возлагается на специалистов. Предупредите нахождение посторонних людей вблизи сварочного аппарата.



Данный сварочный аппарат не соответствует стандарту IEC 61000-3-12. В случае если сварочный аппарат будет подключён к сети низкого напряжения, используемого для электроснабжения жилых помещений, пользователь несёт полную ответственность за обеспечение выполнения работ подключения электрических соединений сварочного аппарата электротехником или пользователем аппарата, имеющим знания и навыки по вопросам подключения сварочного аппарата.



Будьте внимательны и строго соблюдайте все символы и предупреждения безопасности, установленные на сварочном аппарате и указанные в Руководстве по эксплуатации. Запрещается удалять этикетки, установленные на сварочном аппарате.



Решётки предназначены для обеспечения вентиляции внутренних частей сварочного аппарата. С целью обеспечения хорошего охлаждения, запрещается закрывать доступ к открытым частям аппарата и размещать инородные предметы внутрь корпуса устройства.

2.2 Рекомендации по установке и эксплуатации

- Для перемещения машины следует использовать подъемные кольца или вилочные погрузчики. Не поднимайте машину с газовым баллоном. При переноске портативных сварочных аппаратов вручную необходимо соблюдать правила техники безопасности и охраны труда. На рабочем месте должны быть приняты необходимые меры для обеспечения того, чтобы процесс транспортировки осуществлялся в максимально возможном соответствии с условиями охраны труда и техники безопасности. Меры предосторожности следует принимать в соответствии с характеристиками рабочей среды и требованиями работы. Установите машину на твердую, ровную и гладкую поверхность, где она не упадет и не опрокинется.
- При работе в среде с температурой воздуха выше 40°C, выполняйте работы на сварочном аппарате при более низком сварочном токе или при более низком уровне продолжительности включения.
- Избегайте сварки на открытом воздухе при ветре и дожде. Если в таких случаях необходима сварка, защитите зону сварки и сварочный аппарат шторами и навесами. При сварке в помещении используйте подходящую систему удаления дыма. Если есть риск вдыхания сварочного дыма и газа в помещении, используйте дыхательный аппарат.
- При размещении машины убедитесь, что такие материалы, как стены, шторы и панели, не препятствуют легкому доступу к органам управления и соединениям машины.

- Соблюдайте коэффициенты рабочего цикла, указанные на этикетке изделия. Частое превышение рабочего цикла может привести к повреждению машины и аннулированию гарантии.
- Используйте соответствующий предохранитель для вашей системы.
- Плотно подсоедините заземляющий провод как можно ближе к месту сварки.
- Не допускайте протекания сварочного тока по оборудованию, кроме сварочных кабелей.
- Сварочные кабели и сетевой кабель во время работы не должны обматываться вокруг корпуса аппарата.
- Когда газовый баллон установлен на машине, немедленно закрепите газовый баллон, привязав цепь. Если вы не будете размещать газовый баллон на машине, прикрепите баллон к стене с помощью цепи.

2.3 Подсоединение электрической розетки



С целью обеспечения вашей безопасности, категорически запрещается использование сетевого кабеля без вилки.

В связи с тем, что на заводах, стройплощадках и в цехах могут быть установлены различные виды розеток для подсоединения к сетевому электроснабжению, сетевой кабель поставляется без вилки. Установка вилки на сетевой кабель должна выполняться квалифицированным электриком в соответствии с имеющейся розеткой сетевого электроснабжения. Убедитесь, что сварочный аппарат имеет кабель заземления. После подключайте кабель к розетке сетевого электроснабжения непосредственно сразу после установки вилки на сетевой кабель.

2.4 Подключение к сети



Перед вставлением вилки сетевого кабеля в розетку сетевого электроснабжения убедитесь, что переключатель вкл./выкл. на сварочном аппарате установлен в положении "0".

Необходимо получить поддержку от уполномоченных лиц (квалифицированный электрик и т. д.) относительно подключения. Перед подключением машины к сети необходимо проверить фазное напряжение. После того, как будет определено, что она исправна, вилку следует вставить в розетку. Запустите машину, повернув кнопку включения/выключения в положение «1». Убедитесь, что индикаторы и светодиоды на панели управления горят, а охлаждающий вентилятор работает.

2.5 Соединения для сварки TIG



Перед подключением сварочного аппарата к сети, в первую очередь, проверьте наличие соответствующего напряжения сети. Перед вставлением вилки сетевого кабеля в розетку сетевого электроснабжения убедитесь, что переключатель вкл./выкл. на сварочном аппарате установлен в положении "0".

- Запустите машину кнопкой включения/выключения и проверьте, горят ли светодиоды и работает ли охлаждающий вентилятор.

Рекомендуемый сварочный ток для TIG-сварки

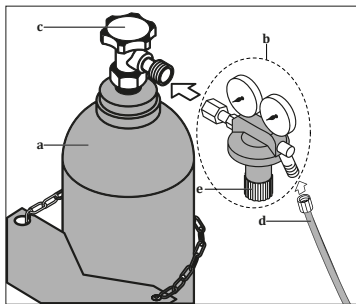
Вольфрамовый электрод Диаметр (мм)	Сварочный ток
1.6	30-130
2.0	45-180
2.4	70-240

2.5.1 Соединения горелки

- Вставьте вилку горелки TIG в сварочный патрубок отрицательного полюса и затяните, повернув вправо. Присоедините разъем пускового курка резака, поставляемый с аппаратом, к тросам управления пусковым механизмом резака. Затем подключите разъем к разъему управления спусковым крючком.
- Подсоедините газовый шланг горелки к выходу газа.
- Блок водяного охлаждения - дополнительный аксессуар для охлаждения горелок с водяным охлаждением в сложных условиях.

2.5.2 Газовые соединения

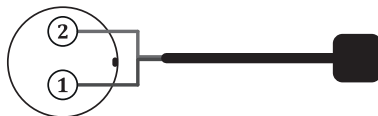
- Газовый баллон с аргоном **(а)** зафиксируйте при помощи цепи.
- С целью обеспечения безопасности и получения хороших результатов сварки, используйте регулятор расхода газа **(b)**, соответствующий стандартам.
- С целью обеспечения удаления возможной пыли и частиц, откройте на некоторое время вентиль **(с)** газового баллона.
- Подключите регулятор расхода газа к газовому баллону, убедитесь, что гайка регулятора расхода газа полностью соответствует винтовой резьбе штуцера на выходе газа газового баллона.
- Подсоедините один конец газового шланга **(d)** к регулятору расхода газа, другой конец - к входному отверстию газа на задней панели сварочного аппарата и откройте вентиль на газовом баллоне.
- При помощи клапана регулятора давления **(е)** отрегулируйте расход газа.
- Убедитесь, что в местах соединения отсутствует утечка газа.



Диаметр электрода (мм)	Диаметр сопла (мм)	Сварочный ток (А пост.тока)	Расход газа (л/мин.)
1.0	6.3	30-70	6-8
1.6	9.5	30-150	6-8

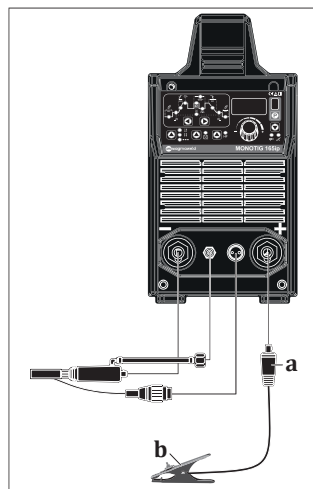
2.5.3 Соединения триггерных сокетов

- Подключение горелки TIG; Его следует подключить к гнезду управления спусковым крючком как на рисунке концами 1-2.



2.5.4 Подсоединение клемм заземления

- Вилку **(а)** кабеля клеммы заземления вставьте в гнездо с положительным полюсом и хорошо зажмите, повернув вправо.
- Для улучшения качества сварки, клемму заземления **(b)** прочно подсоедините к рабочей заготовке как можно ближе к зоне сварки.



2.5.5 Установка расходных деталей горелки

- Керамическое газовое сопло (5) и вольфрамовый электрод (1) следует выбирать в зависимости от рабочего тока и формы рабочей заготовки. Соответственно, диаметры зажима (3) и держателя зажима (4) должны соответствовать диаметру вольфрамового электрода.
- Отсоедините зажимную цангу (2).
- Выньте из зажима электрода установленный электрод и установите новый вольфрамовый электрод соответствующего диаметра.
- Установите зажим электрода на горелку.
- Прочно зажмите зажимную цангу.

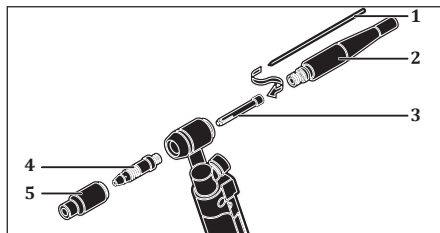


Рисунок 3 : Установка расходных деталей горелки

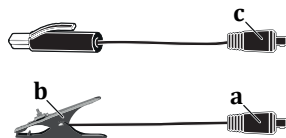
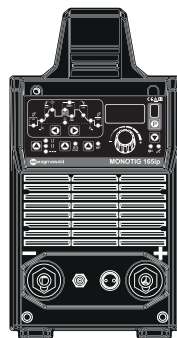
2.6 Соединения для сварки покрытым электродом



Перед подключением сварочного аппарата к сети, в первую очередь, проверьте наличие соответствующего напряжения сети. Перед вставлением вилки сетевого кабеля в розетку сетевого электроснабжения убедитесь, что переключатель вкл./выкл. на сварочном аппарате установлен в положении "0".

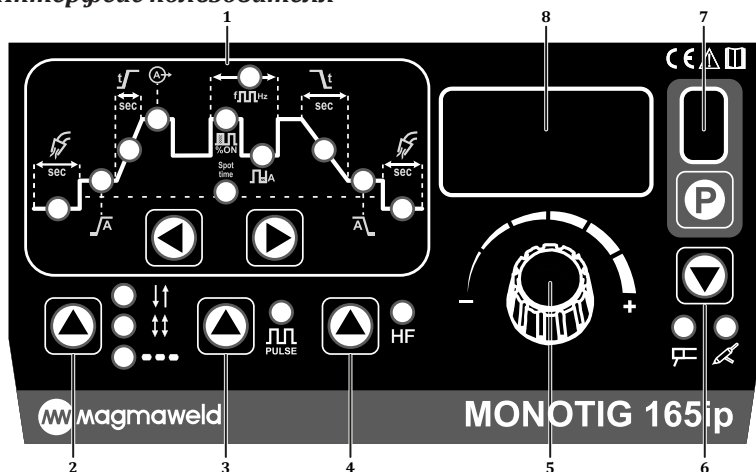
- Включите сварочный аппарат, переключив переключатель вкл./выкл. в положение "1", и проверьте включение светодиодов на панели управления и начало работы вентилятора охлаждения.
- Вставьте штекер кабеля зажима электрода (с) и штекер кабеля клеммы заземления (а) в гнезда сварочного и заземляющего кабелей в соответствии с используемым электродом и полярностью, рекомендованной изготовителем электрода.
- Для улучшения качества сварки, клемму заземления (b) прочно подсоедините к рабочей заготовке как можно ближе к зоне сварки.

Диаметр покрытого электрода (мм)	Рекомендуемый сварочный ток	
	Основной	Основной
2.0	40-60 А	-
2.5	60-90 А	60-90 А
3.25	100-140 А	100-130 А
4.0	140-180 А	140-180 А

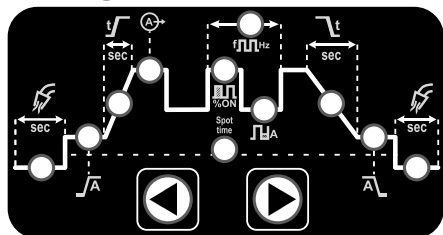


ИНФОРМАЦИЯ ПО ЭКСПЛУАТАЦИИ

3.1 Интерфейс пользователя



1- TIG Eğrisi



При помощи клавиш можно выполнить переход от одного параметра к другому на кривой TIG-сварки. В зависимости от выбранного параметра, загорится светодиод соответствующего параметра.

	<p>Продувка Газа Перед Сваркой В случаях, когда защитный газ от горелки достигает зоны сварки несколько позже по сравнению со скоростью возникновения дуги, в зоне сварки могут возникать потемнение и деформация. Кроме того, сокращается срок службы вольфрамового наконечника. Обеспечивает возможность установки значений в диапазоне 0-20 сек. Благодаря этой настройке обеспечивается гарантия того, что газ достигает зоны сварки перед началом сварки.</p>
	<p>Начальный Ток Сварочная дуга возникает при установленном значении начального тока. Значение устанавливается в % от основного значения сварочного тока. Начальный ток устанавливается в % ниже значения основного сварочного тока. Обеспечивает возможность установки значений в диапазоне 5 А - %100</p>
	<p>Время Нарастания Тока Устанавливает время перехода от начального к основному значению сварочного тока. Диапазон настройки 0 - 10 сек.</p>

	<p>Основной Сварочный Ток Это фактический сварочный ток. Его можно регулировать в пределах от 5 до 160 А в модели monoTIG 165ip и от 5 до 200 А в модели monoTIG 200 ip.</p>
	<p>Амплитуда частоты Активизируется при выборе импульсного режима сварки. Определяет соотношение амплитуд между низким и высоким током в цикле импульса. Показывает время активности установленного высокого тока в течение 1 периода импульса. Параметр заводской настройки по умолчанию 50%. Обеспечивает возможность установки значений в диапазоне 1-99%. Низкие значения тока - ток заварки кратера, высокие значения тока - основной ток. Например, когда рабочий цикл установлен на уровне 1%, это означает, что основной ток составляет 100 А, а ток заварки кратера составляет 50 А, в течение 100 мсек. сварка выполняется при токе 100 А в течение 1 мсек. и при токе 50 А в течение 99 мсек.</p>
	<p>Частота импульсов Активизируется при выборе импульсного режима сварки. В импульсном режиме определяет частоту импульсного цикла, состоящего из периодов максимального и минимального тока импульса. Другими словами это количество импульсов в секунду. Обеспечивает возможность установки значений в диапазоне 0,1- 2000 кГц. Параметр заводской настройки по умолчанию 5 Гц. Регулируется в зависимости от толщины рабочей заготовки или по желанию пользователя.</p>
	<p>Ямный ток (ремонтный ток) Это установлено в %. Это происходит ниже определенного % основного потока. Он используется для исправления ошибок, возникающих во время сварки. Он предлагает регулировку от 1 до 100%. Только для использования с многофункциональным фонариком. Определяет малый ток при активном импульсном режиме.</p> <p>Примечание Ток ямы используется только в режиме 4 триггеров. Сварка начинается нажатием и нажатием на курок, затем снова нажимается курок, и значение тока в яме используется до тех пор, пока оно удерживается нажатым. Когда вы убираете палец с курка, вы возвращаетесь к нормальному току и продолжаете сварку. Если одновременно нажать на спусковой крючок, сварка прекратится.</p>
	<p>Время точечной сварки В режиме “Точечная сварка” сварка будет продолжаться в течение указанного времени и в конце этого времени сварка закончится. Диапазон настройки 0,5-20 сек.</p>
	<p>Время перехода к конечному току Устанавливается время перехода от основного значения сварочного тока к конечной величине тока в конце сварки. Обеспечивает возможность установки значений в диапазоне 0-10 сек.</p>
	<p>Заварка кратера (конечный ток) В конце сварки выполняется плавный переход от основного значения сварочного тока к конечной величине тока. При этом токе выполняется корректировка сварного шва и сварка завершается.</p> <p>Примечание Пусковой ток - Время нарастания тока - Основной ток: установленный пусковой ток поддерживается ниже значения основного тока. Розжиг дуги выполняется при пусковом токе и в течение установленного времени нарастания ток постепенно увеличивается до значений основного тока. Это обеспечивает продление срока службы вольфрамового наконечника и обеспечивает более стабильное разжигание дуги.</p>

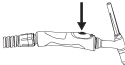
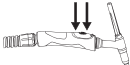
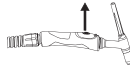
**Продувка газа в конце сварки**




После завершения сварки продолжается подача защитного газа в течение установленного времени. Таким образом, обеспечивается охлаждение и продление срока службы вольфрамового наконечника, кроме того, обеспечивается защита сварочной ванны до её охлаждения. Обеспечивает возможность установки значений в диапазоне 0-20 сек.


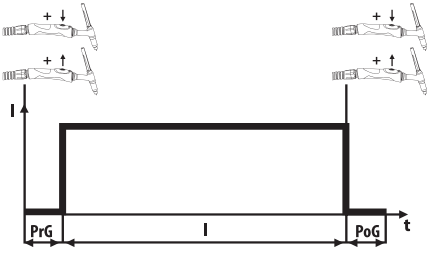

RU

4- Режимы Триггера / Выбор Режимов Горячий Старт (Hot Start) - Форсаж Дуги (Arc Force)

При помощи сенсорной кнопки при выбранном режиме TIG-сварки обеспечивается переход между режимами 2/4-тактный режим работы триггера горелки и точечная сварки; в случае если выбраны режимы электродов, позволяет изменять настройки "Горячий старт (Hot Start)" и "Форсаж дуги (Arc Force)".

	<p>Hot Start</p> <p>При первом зажигании электрода обеспечивает лёгкость розжига, выполняя подачу тока в 2 раза более высокого значения.</p> <ul style="list-style-type: none"> • При помощи ручки регулятора тока, сила тока в режиме "Горячий старт (Hot Start)" устанавливается в диапазоне 0-100%. • Если установлено значение "0", при первом розжиге значение силы тока не увеличивается выше основного сварочного тока, если установлено значение "100", выполняется повышение силы тока на 100% выше значения основного тока. • Розжиг выполняется при соответствующем значении ампер (силы тока) в зависимости от параметров "Горячего старта (Hot Start)" и после повышения силы тока в течение определенного времени сварка продолжается при значении основного тока. • "Горячий старт (Hot Start)" имеет параметр заводской настройки по умолчанию 20.
	<p>Arc Force</p> <p>При сварке покрытым электродом, если дуга имеет тенденцию к прерыванию, выполняет повышение силы тока до значения, в два раза превышающего значение основного сварочного тока, тем самым предотвращая прерывание дуги.</p> <ul style="list-style-type: none"> • Настройка "Форсажа дуги (Arc Force)" в диапазоне 0-100. • Режим "Форсаж дуги (Arc Force)" обеспечивает регулировку тока и предупреждает прилипание электрода в случаях, когда электрод имеет тенденцию к прилипанию. • "Форсаж дуги (Arc Force)" имеет параметр заводской настройки по умолчанию 0.
	<div style="display: flex; justify-content: space-around; align-items: center;">    </div> <p>Нажмите На Триггер Удерживайте Триггер В Нажатом Состоянии Отпустите Триггер 2-тактный режим работы триггера горелки;</p> <ul style="list-style-type: none"> • При нажатии триггера начинается сварка, выполняется подача газа продувки перед сваркой, розжиг дуги при минимальном токе, нарастание тока и затем сварка продолжится при значении основного сварочного тока. <p>В 2-тактном режиме работы триггера горелки кривая изменения сварочного тока в процессе TIG-сварки работает следующим образом;</p> <ul style="list-style-type: none"> • Время подачи газа перед началом сварки устанавливается в диапазоне 0-20 сек. Параметр заводской настройки по умолчанию 1 сек. • Начальный ток (ток первого розжига) составляет 30% значения основного тока. • Время нарастания тока в диапазоне 0-10 сек. Определяет время нарастания силы тока от значения тока розжига дуги до значения основного тока.

	<ul style="list-style-type: none"> • Время перехода к конечному току определяет время снижения тока от значений основного тока до значений конечного тока. Значение конечного тока составляет 30% основного тока.  <p>PrG : Время продувки газа в начале сварки I : Сварочный ток PoG : Время продувки газа в конце сварки</p> <p>Например : Если начальный ток 100 А, ток заполнения кратера (конечный ток) равен 30 А. Если установлено время перехода к конечному току 1 сек., показывает, что сила тока снижается от значения основного тока к току заполнения кратера в течение 1 секунды.</p> <ul style="list-style-type: none"> • После снижения силы тока до тока заполнения кратера начинается время продувки газа в конце сварки. Время продувки газа после сварки устанавливается в диапазоне 0-20 сек. По желанию пользователя можно изменить время конечной продувки газа. 	RU
	<p>4-тактовый режим работы триггера горелки:</p> <ul style="list-style-type: none"> • При нажатии на триггер начнёт поступать газ продувки перед началом сварки. После предварительной продувки газа сварка начинается при значениях тока розжига дуги. Если продолжать удерживать в нажатом состоянии кнопку триггера, сварочный аппарат продолжит выполнение сварки при значении тока розжига дуги. Если кнопка триггера будет отпущена, аппарат выполнит повышение силы тока в течение установленного времени и продолжит сварку при значении основного тока. • Если требуется завершить сварку, необходимо повторно нажать на триггер, активизируется время снижения тока до значений конечного тока и, если триггер удерживается в нажатом состоянии, будет выполнено снижение значения основного тока до значения конечного тока. • После окончания времени снижения значения до конечного тока, система будет выжидать при силе тока заполнения кратера и обеспечит возможность заполнения кратера. • После завершения заполнения кратера, отпустите кнопку триггера. • В течение времени продувки газа в конце сварки будет выполнено охлаждение рабочей заготовки и завершение процесса сварки. <p>В 4-тактовом режиме работы триггера горелки кривая изменения сварочного тока в процессе TIG-сварки работает следующим образом :</p> <ul style="list-style-type: none"> • При работе как в 4-тактовом, так и в 2-тактовом режиме триггера горелки, все меню и настройки работают согласно установленным параметрам. В отличие от 2-тактового режима работы триггера горелки, при 4-тактовом режиме активизируется ток заварки кратера на кривой TIG-сварки. Ток заварки кратера используется только в 4-тактовом режиме работы триггера. • Ток заварки кратера используется для устранения ошибок, возникающих во время сварочного процесса. • Ток заварки кратера устанавливается в % от значения основного тока. Диапазон настройки 1-100%. Если значение основного сварочного тока 100 А и установлен параметр тока заварки кратера 50%, это означает, что ток заварки кратера составляет 50% от значения основного тока и составляет 50 А. Устанавливаются уровни высокого и низкого тока. 	

	 <p>PrG : Время продувки газа в начале сварки I : Сварочный ток PoG : Время продувки газа в конце сварки</p> <p>Например : Установлены значения основного сварочного тока 100 А и тока заварки кратера 50 А, если в сварочном аппарате используется многофункциональная горелка, если нажать на кнопку тока заварки кратера на горелке во время выполнения сварки при значении силы тока 100 А, сварочный аппарат автоматически выполнит переход к работе в режиме тока заварки кратера. Таким образом, в случае если в сварном шве имеются возможные нарушения, для предупреждения образования отверстия в области нагрева сварочный аппарат переключается в режим работы при низкой силе тока и, если повторно нажать на кнопку основного тока на горелке после выполнения исправления ошибок сварки, аппарат вернется в режим работы при силе тока 100 А и пользователь сможет продолжить сварку.</p>
	<p>Режим задней бабки Он активен, когда выбраны режимы сварки TIG. При однократном нажатии курка загорается в основном потоке, сварка продолжается установленное время и автоматически прекращается по истечении времени.</p> <ul style="list-style-type: none"> • Как только выбран точечный режим, большинство областей кривой ВИГ игнорируются, можно установить только 3 параметра. Время после газа, основное и точечное время. • Время точечной сварки — это время сварки на точечной сварке. <p>Образец; установлено 2 сек.; Когда вы нажимаете курок, он начинает сварку в течение 2 секунд и автоматически завершает сварку через 2 секунды, не дожидаясь, пока вы отпустите курок.</p>

3- Выбор Режимы Импульсной Сварки



Обеспечивает переход на импульсный режим в режиме TIG. Нажав кнопку один раз, она будет активирована или закрыта. Он будет активен, когда горит светодиод. Когда импульсный режим активен, другие связанные функции (рабочий цикл, амплитуда частоты, частота импульсов и т. д.) становятся доступными для выбора. Благодаря импульсной функции снижается тепловложение материала и снижается деформация.

4- Выбор режима ВЧ



- При сварке TIG позволяет начать сварку, не касаясь вольфрамовым электродом материала. Таким образом, кончик вольфрамового электрода не изнашивается.
- Он активен в режиме TIG.
- Если вы хотите отключить режим HF на машине и сваривать с помощью lifttig, вы можете нажать кнопку HF, чтобы отключить активный режим HF.

5- Кнопка регулировки





С помощью кнопки регулировки обеспечивается регулировка тока во всех методах сварки и изменение параметров во всех функциях. Регулировка производится поворотом вправо и влево, а отрегулированные значения контролируются на цифровом экране.

6- Выбор метода сварки



С помощью сенсорной кнопки вы можете выбирать между методами сварки электродом и сваркой TIG. Какой бы метод сварки ни был выбран, загорится светодиод этого метода.

	Рутит предлагает возможность сварки с основными электродами.
	Он предлагает возможность сварки TIG на постоянном токе.

7- Программная память



в режиме TIG;

- Благодаря 10 функциям памяти вы можете сохранять настройки параметров и вызывать их в соответствии с типом вашей работы. Таким образом, вам не нужно вносить изменения в параметры каждый раз, когда вы меняете работу, и сохраняется производственный стандарт. Какой бы номер памяти (работы) ни был выбран, все выполненные настройки автоматически сохраняются под этим номером.
- Измените номер программы для записи другого параметра.
- Экран над кнопкой программы показывает, в какой программе вы изменили параметр. • Имеется 10 программ от 0 до 9.
- Вы можете переключиться на другую программу, нажав кнопку программы один раз, если вы будете удерживать ее нажатой, вы сможете быстро переключаться между программами.

в режиме электрода;

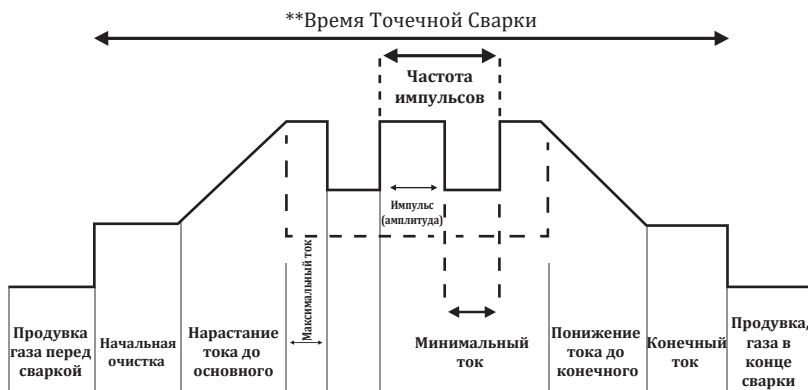
- Вы увидите значение «А» при настройке значения тока и значение «U» при выходном напряжении источника. Если вы хотите увидеть выходное напряжение источника на цифровой панели, вы можете увидеть единицу измерения напряжения, нажав кнопку один раз, и единицу измерения силы тока, нажав кнопку еще раз.

8- Цифровой дисплей



Отрегулированный сварочный ток, значения параметров и коды ошибок можно контролировать визуально благодаря цифровому дисплею.

3.2 Кривая изменения сварочного тока в процессе TIG-сварки



В таблице ниже указано включение или отключение функций в зависимости от выбранных режимов.

Параметры	MonoTIG 165ip	Заводская настройка	2 Место ВИГ		4 Место ВИГ		Задняя бабка ВИГ	
			DC	PULSE	DC	PULSE	DC	PULSE
Время предварительной продувки газа	0 - 20 сек.	1 сек.	✓	✓	✓	✓		
Начальный ток	5А - %100	%70	✓	✓	✓	✓		
Время нарастания тока	0.0 - 10 сек.	1 сек.	✓	✓	✓	✓		
Максимальный ток	5 - 160 А	85 А	✓	✓	✓	✓	✓	✓
Минимальный ток	5А - %100	40 А		✓	✓	✓		✓
Соотношение периодов импульса и паузы	%1 - %99	%50		✓		✓		✓
Частота импульсов	0.1 - 2000 Гц	5 Гц		✓		✓		✓
Время перехода к конечному току	0.0 - 10 сек.	1 сек.	✓	✓	✓	✓		
Конечный ток	3А - %100	%30	✓	✓	✓	✓		
Время конечной продувки газа	0 - 20 сек.	5 сек.	✓	✓	✓	✓		
Время точечной сварки	0.01 - 9 сек.	2 сек.					✓	✓

3.3 Технические характеристики аппарата

Термическая защита от перегрева

- С целью предупреждения повреждений, вызванных перегревом, в сварочном аппарате предусмотрена двойная защита.
- Если температура блока IGBT повысится выше 75 градусов, на экране загорится красный светодиод и появится код неисправности.

Память программ

- Объём памяти позволяет сохранить 10 программ. Память предусматривает возможность сохранения 10 программ в диапазоне 0-9.
- Возможность сохранения измененных параметров. При помощи кнопки "P" выполняется переход от одной программы к другой.

Зажигание дуги точечным касанием электрода сварочной поверхности (Lift TIG)

- При помощи функции "Lift TIG" обеспечивается выполнение TIG-сварки с зажиганием дуги точечным касанием электрода сварочной поверхности.

Защита от перепадов напряжения

- Выполняет выравнивание колебаний сетевого напряжения.
- Обеспечивает защиту сварочного аппарата от работы при несоответствующем напряжении, колебаниях входящего напряжения.
- После возврата напряжения в нормальное состояние, активизируются функции сварочного аппарата.

Работа от генератора тока

- Сварочный аппарат пригоден для работы от генератора тока. Рабочие параметры кВА определяются в соответствии с техническими характеристиками.

Анти-прилипание

- Функция "Анти-прилипание" предусмотрена для предупреждения прилипания электрода.

3.4 Информация о потреблении

В таблицах ниже показаны средние значения расхода при сварке в идеальных условиях. Эти значения могут меняться в зависимости от использования и условий окружающей среды.

Средний расход защитного газа при сварке TIG

Керамическая насадка №.	4	5	6	7	8	10
Среднее потребление	6,5 л/мин	8 л/мин	10 л/мин	12 л/мин	12,5 л/мин	15,5 л/мин



ТЕХОБСЛУЖИВАНИЕ И УСТРАНЕНИЕ НЕИСПРАВНОСТЕЙ

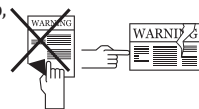
- Техобслуживание и ремонт сварочного аппарата должны выполняться только квалифицированными специалистами. Компания не несёт ответственности в связи с аварийными ситуациями, возникающими в результате выполнения техобслуживания и ремонта лицами без соответствующей квалификации.
- Запасные части, используемые во время ремонта, можно приобрести в авторизованных техслужбах. Использование оригинальных запасных частей обеспечит продление срока эксплуатации и предупредит снижение рабочих показателей сварочного аппарата.
- Обращайтесь только к производителю или в авторизованные техслужбы, указанные производителем.
- В течение гарантийного срока выполнение любых вмешательств в конструкцию сварочного аппарата без предварительного согласия производителя может стать причиной аннулирования всех гарантийных обязательств производителя.
- Во время выполнения любых процедур техобслуживания и ремонта обязательно соблюдайте правила техники безопасности.
- Перед началом выполнения любых видов процедур техобслуживания или ремонта отсоедините вилку сетевого кабеля сварочного аппарата и выждите 10 секунд для разряда напряжения на конденсаторах.

4.1 Техобслуживание



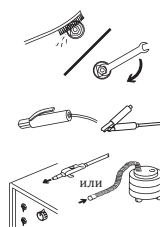
Ежедневное техобслуживание

- Проверьте горелку, зажимы и кабели. Обратите внимание на состояние и прочность соединений частей. Повреждённые/неисправные части замените на новые. Категорически запрещается выполнять ремонт/удлинение кабеля.
- Убедитесь, что имеется достаточная площадь для обеспечения вентиляции.
- Регулярно выполняйте очистку расходных деталей TIG-горелки. Если необходимо, замените. Для обеспечения продолжительного срока службы расходных деталей, обратите внимание, чтобы использовались оригинальные расходные материалы.
- Перед началом сварки проверьте расходомером скорость расхода газа на конце горелки. Если расход газа высокий или низкий, установите уровень расхода в соответствии со сварочным процессом.
- Проверьте уровень охлаждающей жидкости, доливайте, если уровень охлаждающей жидкости низкий. Если в охлаждающей жидкости есть загрязнения слейте весь бак и очистите бак охлаждающей жидкости. Залейте в бак новую охлаждающую жидкость.



Один раз в 6 месяцев

- Запрещается удалять этикетки с поверхности сварочного аппарата. Изношенные/повреждённые этикетки замените на новые. Этикетки можно приобрести в авторизованных техслужбах.
- Очистите и зажмите соединительные элементы, такие как гайки и болты.
- Проверьте кабели электрододержателя и клеммы заземления.
- Откройте боковые крышки сварочного аппарата и очистите внутреннюю часть при помощи сухого воздуха под низким давлением. Не используйте воздух под давлением на близком расстоянии от электрических соединений.
- Проверьте розетку подсоединения вилки электрического кабеля питания сварочного аппарата. В точках подсоединения электрического кабеля питания к розетке устраните места ослабления соединений, если имеются. Если в гнездах розетки имеются следы воздействия электрической дуги или расширение гнезд, замените розетку на новую.



- Проверьте вилку электрического кабеля питания сварочного аппарата. В точках подсоединения электрического кабеля питания к вилке устраните места ослабления соединений, если имеются. Если на штырях вилки имеются следы воздействия электрической дуги или деформации, замените вилку на новую.

ПРИМЕЧАНИЕ: Указанная выше периодичность означает максимальные периоды, которые следует соблюдать в случае если ваше устройство не имеет каких-либо проблем. Вышеперечисленные процедуры техобслуживания должны выполняться через более короткие периоды времени, в зависимости от интенсивности режима работы аппарата и степени загрязнения рабочей среды.



Категорически запрещается выполнять сварочные работы при демонтированных крышках корпуса сварочного аппарата.

4.2 Устранение неисправностей

В таблице ниже указаны возможные неисправности и рекомендуемые способы устранения.

Неисправность	Устранение
Сварочный аппарат не включается	<ul style="list-style-type: none"> • Убедитесь, что в контуре питания сварочного аппарата имеется напряжение • Проверьте правильное подключение сетевого кабеля • Проверьте предохранители на линии подачи сетевого электропитания, сетевой кабель и штекер сетевого кабеля • Проверьте переключатель включено/выключено • Если после завершения всех контрольных проверок неисправность остаётся неизменной, свяжитесь с авторизованной техслужбой
Сварочный аппарат не выполняет сварку/плохо выполняет сварку	<ul style="list-style-type: none"> • Убедитесь, что клемма заземления сварочного аппарата подсоединена к рабочей заготовке • Убедитесь, что все кабели исправны и в точках соединения отсутствует износ • Убедитесь, что выбраны правильные параметры и процессы сварки. В зависимости от выбранного процесса сварки выполните нижеследующие шаги • Проверьте полюс подключения электрода и значения тока, установленные на сварочном аппарате • Убедитесь, что открыт вентиль подачи газа и проверьте правильную установку расхода газа • Убедитесь, что наконечник вольфрамового электрода чистый • Убедитесь в исправности сварочной горелки • Если после завершения всех контрольных проверок неисправность остаётся неизменной, свяжитесь с авторизованной техслужбой
Вольфрамовый электрод плавится или ломается сопло	<ul style="list-style-type: none"> • Проверьте, чтобы TIG-горелка была подключена к отрицательному (-) полюсу. Если горелка не подсоединена к отрицательному (-) полюсу, выполните подсоединение • Если после завершения всех контрольных проверок неисправность остаётся неизменной, свяжитесь с авторизованной техслужбой

Неисправность	Устранение
<p>При выполнении TIG-сварки возникает вспенивание или потемнение</p>	<ul style="list-style-type: none"> • Проверьте расходомером параметры расхода газа выходящего из сопла горелки • Если поверхность рабочей заготовки грязная, очистите поверхность • Убедитесь, что используется правильный сварочный газ • Убедитесь, что выбран правильный вольфрамовый электрод • Если после завершения всех контрольных проверок неисправность остаётся неизменной, свяжитесь с авторизованной техслужбой
<p>Высокочастотный поджиг дуги (HF) производится, но с трудом начинается сварка.</p>	<ul style="list-style-type: none"> • Проверьте начальный ток. Если начальный ток очень низкий, увеличьте значение начального тока • Если после завершения всех контрольных проверок неисправность остаётся неизменной, свяжитесь с авторизованной техслужбой
<p>Высокочастотный поджиг дуги (HF) производится, но сварка не начинается</p>	<ul style="list-style-type: none"> • Проверьте, чтобы TIG-горелка была подключена к отрицательному (-) полюсу. Если горелка не подсоединена к отрицательному (-) полюсу, выполните подсоединение • Проверьте подсоединение клеммы заземления к рабочей заготовке • Если после завершения всех контрольных проверок неисправность остаётся неизменной, свяжитесь с авторизованной техслужбой
<p>Высокочастотный поджиг дуги (HF) не производится</p>	<ul style="list-style-type: none"> • Проверьте время продувки газа перед сваркой. Если время предварительной продувки газа очень большое, уменьшите время продувки • Если после завершения всех контрольных проверок неисправность остаётся неизменной, свяжитесь с авторизованной техслужбой
<p>в блоке водяного охлаждения протекает жидкость</p>	<ul style="list-style-type: none"> • Обратитесь в авторизованный сервисный центр
<p>нет потока жидкости в блоке водяного охлаждения</p>	<ul style="list-style-type: none"> • Обратитесь в авторизованный сервисный центр

4.3 Коды неисправностей

В таблице ниже указаны возможные неисправности и рекомендуемые способы устранения.

Код неисправности	Неисправность	Причина	Устранение
E01	Тепловая защита (Начальный)	<ul style="list-style-type: none"> • Время безотказной работы вашей машины могло быть превышено 	<ul style="list-style-type: none"> • Дайте машине остыть, немного подождите. Если неисправность исчезнет, попробуйте использовать его при более низких значениях силы тока • Если проблема не исчезнет, обратитесь в авторизованный сервисный центр
		<ul style="list-style-type: none"> • Вентилятор может не работать 	<ul style="list-style-type: none"> • Визуально проверьте, работает вентилятор или нет • Если проблема не исчезнет, обратитесь в авторизованный сервисный центр
		<ul style="list-style-type: none"> • Передняя часть каналов впуска и выпуска воздуха может быть заблокирована 	<ul style="list-style-type: none"> • Откройте воздуховоды • Если проблема не исчезнет, обратитесь в авторизованный сервисный центр
		<ul style="list-style-type: none"> • Рабочая среда машины может быть очень жаркой или душной 	<ul style="list-style-type: none"> • Убедитесь, что рабочая среда машины не слишком жаркая или душная • Если проблема не исчезнет, обратитесь в авторизованный сервисный центр
E02	Низкое напряжение сети	<ul style="list-style-type: none"> • Возможно, упало сетевое напряжение 	<ul style="list-style-type: none"> • Проверьте кабели подключения к сети и напряжение. Убедитесь, что подано правильное входное напряжение. Если сетевое напряжение в норме, обратитесь в авторизованный сервисный центр
E03	Напряжение сети высокое	<ul style="list-style-type: none"> • Возможно, напряжение в сети увеличилось 	<ul style="list-style-type: none"> • Проверьте кабели подключения к сети и напряжение. Убедитесь, что подано правильное входное напряжение. Если сетевое напряжение в норме, обратитесь в авторизованный сервисный центр
E04	Ошибка чтения тока / напряжения	<ul style="list-style-type: none"> • Возможна аппаратная ошибка 	<ul style="list-style-type: none"> • Обратитесь в авторизованный сервисный центр
E05	Ошибка чтения датчика температуры	<ul style="list-style-type: none"> • Возможна аппаратная ошибка 	<ul style="list-style-type: none"> • Обратитесь в авторизованный сервисный центр
E06	Ошибка блока водяного охлаждения	<ul style="list-style-type: none"> • Возможно, неисправен блок водяного охлаждения 	<ul style="list-style-type: none"> • Проверьте разъем блока водяного охлаждения и входы / выходы горелки • Убедитесь, что обеспечивается циркуляция воды • Если проблема не исчезнет, обратитесь в авторизованный сервисный центр
E07	Системная ошибка	<ul style="list-style-type: none"> • Возможна аппаратная ошибка 	<ul style="list-style-type: none"> • Обратитесь в авторизованный сервисный центр
E08			
E09			

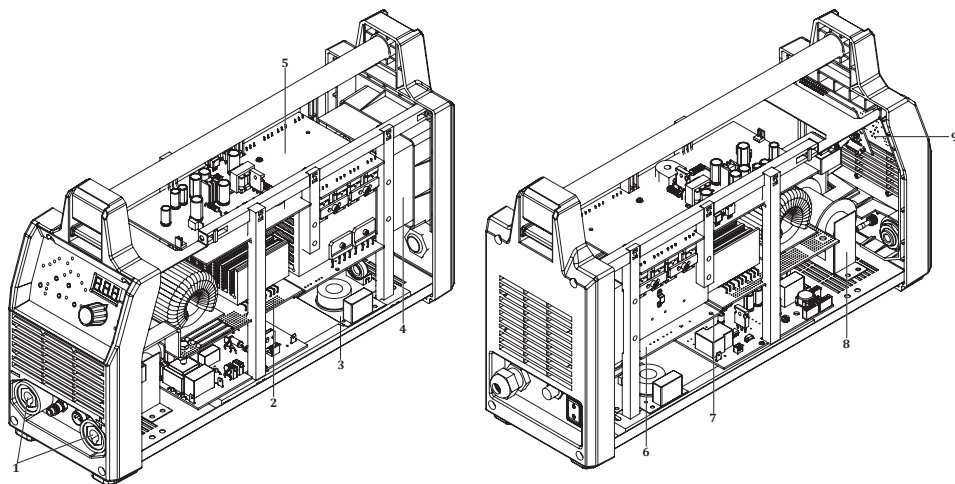
Код неисправности	Неисправность	Причина	Устранение
E10	Ошибка подключения резака	<ul style="list-style-type: none"> Горелка и соединения резака могут быть неисправны 	<ul style="list-style-type: none"> Проверьте резак и соединения резака Если проблема не исчезнет, обратитесь в авторизованный сервисный центр
E11	Системная ошибка	<ul style="list-style-type: none"> Возможна аппаратная ошибка 	<ul style="list-style-type: none"> Обратитесь в авторизованный сервисный центр
E12			
E13	Ошибка устройства подачи проволоки	<ul style="list-style-type: none"> Возможна ошибка подачи проволоки 	<ul style="list-style-type: none"> Проверьте проволочную корзину, катушку / катушечный пресс и соединения горелки Если проблема не исчезнет, обратитесь в авторизованный сервисный центр
E14	Системная ошибка	<ul style="list-style-type: none"> Возможна аппаратная ошибка 	<ul style="list-style-type: none"> Обратитесь в авторизованный сервисный центр
E15	Ошибка связи дистанционного управления	<ul style="list-style-type: none"> Возможно, произошла ошибка в соединениях дистанционного управления 	<ul style="list-style-type: none"> Проверьте соединения дистанционного управления Если проблема не исчезнет, обратитесь в авторизованный сервисный центр
E16	Системная ошибка	<ul style="list-style-type: none"> Возможна аппаратная ошибка 	<ul style="list-style-type: none"> Обратитесь в авторизованный сервисный центр
E17			
E18			
E19	Тепловая защита (Среднее)	<ul style="list-style-type: none"> Время безотказной работы вашей машины могло быть превышено 	<ul style="list-style-type: none"> Дайте машине остыть, немного подождите. Если неисправность исчезнет, попробуйте использовать его при более низких значениях силы тока Если проблема не исчезнет, обратитесь в авторизованный сервисный центр
		<ul style="list-style-type: none"> Вентилятор может не работать 	<ul style="list-style-type: none"> Визуально проверьте, работает вентилятор или нет Если проблема не исчезнет, обратитесь в авторизованный сервисный центр
		<ul style="list-style-type: none"> Передняя часть воздухозаборника - выпускные каналы могут быть заблокированы 	<ul style="list-style-type: none"> Откройте воздухопроводы Если проблема не исчезнет, обратитесь в авторизованный сервисный центр
		<ul style="list-style-type: none"> Рабочая среда машины может быть очень жаркой или душной 	<ul style="list-style-type: none"> Убедитесь, что рабочая среда машины не слишком жаркая или душная Если проблема не исчезнет, обратитесь в авторизованный сервисный центр
E20	Системная ошибка	<ul style="list-style-type: none"> Возможна аппаратная ошибка 	<ul style="list-style-type: none"> Обратитесь в авторизованный сервисный центр
E21			
E22			
E23			

Код неисправности	Неисправность	Причина	Устранение
E26	Низкое давление на входе	<ul style="list-style-type: none"> Низкое давление на входе 	<ul style="list-style-type: none"> Проверьте соединения воздуха / газа, убедитесь, что давление на входе соответствует требованиям, если давление на входе в норме, обратитесь в авторизованный сервисный центр
E27	Корпус горелки не установлен	<ul style="list-style-type: none"> Защита резака не может быть установлена или установлена 	<ul style="list-style-type: none"> Убедитесь, что защита резака установлена правильно. Если проблема не исчезнет, обратитесь в авторизованный сервисный центр
E28	Системная ошибка	<ul style="list-style-type: none"> Возможна аппаратная ошибка 	<ul style="list-style-type: none"> Обратитесь в авторизованный сервисный центр
E29	Низкое напряжение шины постоянного тока	<ul style="list-style-type: none"> Возможно, упало сетевое напряжение 	<ul style="list-style-type: none"> Проверьте кабели подключения к сети и напряжение. Убедитесь, что подано правильное входное напряжение. Если сетевое напряжение в норме, обратитесь в авторизованный сервисный центр
E30	Напряжение на шине постоянного тока высокое	<ul style="list-style-type: none"> Возможно, напряжение в сети увеличилось 	<ul style="list-style-type: none"> Проверьте кабели подключения к сети и напряжение. Убедитесь, что подано правильное входное напряжение. Если сетевое напряжение в норме, обратитесь в авторизованный сервисный центр
E31	Системная ошибка	<ul style="list-style-type: none"> Возможна аппаратная ошибка 	<ul style="list-style-type: none"> Обратитесь в авторизованный сервисный центр

ПРИЛОЖЕНИЕ

5.1 Список запасных частей

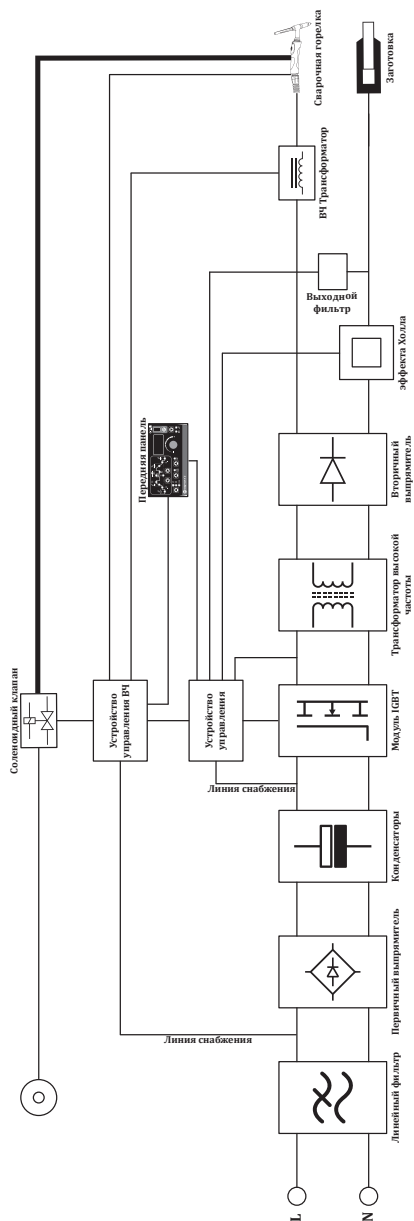
RU



№	ОПИСАНИЕ	monoTIG 165ip
1	Сварочная муфта	A377900104
2	Электронная плата E203A PWR/200TIG	K405000176
3	Электронная плата E201B-FLT TIG	K405000295
4	Компактный вентилятор	A250200026
5	Электронная плата M.TIG 200I E204A-GR	K405000191
6	Электронная плата E203A AC PWR	K405000226
7	Электронная плата E505A-3	K405000185
8	ВЧ трансформатор	A490900023
9	Электронная плата Э506А-1.3	Y524000046
	Датчик Холла	A830900004

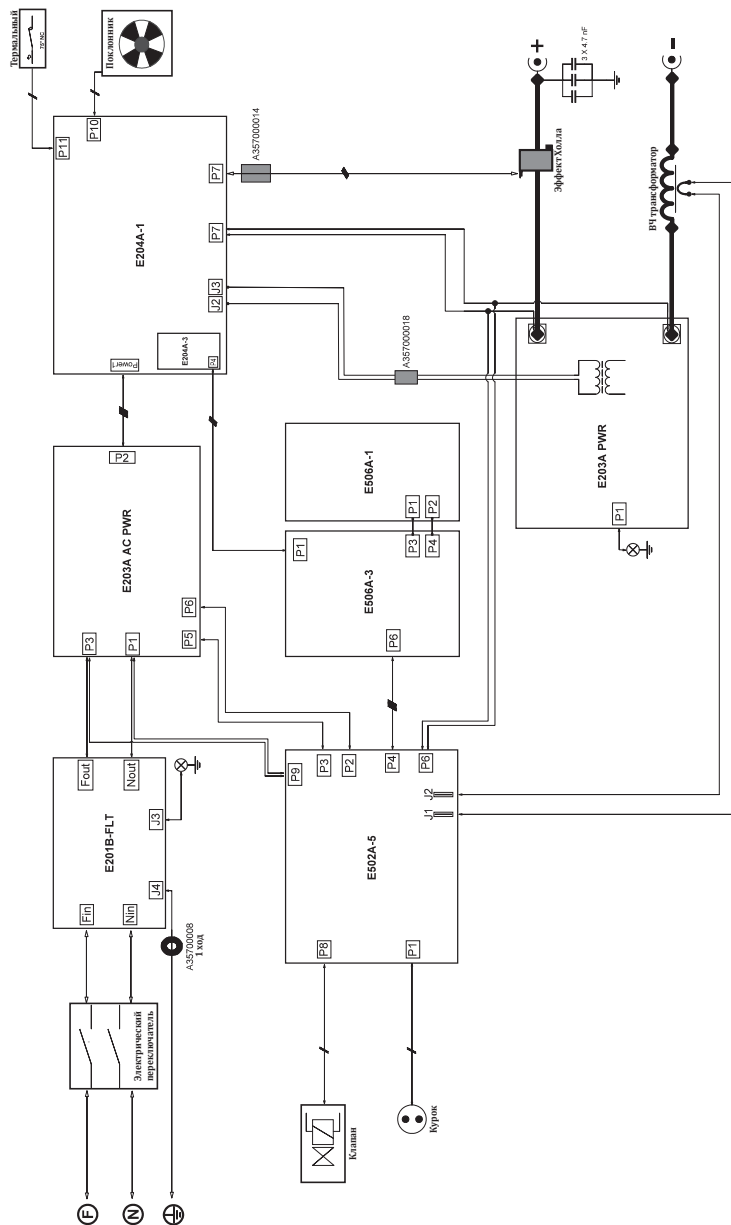
5.2 Схемы подключения

Блок-схема



RU

Принципиальные схемы



RU

ИНФОРМАЦИЯ О ТОВАРЕ

Модель	
Серийный номер	

ПРОИЗВОДИТЕЛЬ

Имя	MAGMA MEKATRONİK MAKİNE SANAYİ VE TİCARET A.Ş.
Адрес	Organize Sanayi Bölgesi 5. Kısım MANİSA
Телефон / Электронная почта	+90 236 226 27 00 / info@magmaweld.com

ИНФОРМАЦИЯ О ПОКУПКЕ

Имя дилера	
Город / Страна	
Телефон / Электронная почта	
Дата покупки	

ИНФОРМАЦИЯ О КЛИЕНТЕ

Название компании	
Город / Страна	
Телефон / Электронная почта	
Имя контакта	

СЕРВИСНАЯ ИНФОРМАЦИЯ (если применимо)

Название компании	
Имя техника	
Дата сдачи (дата начала гарантии)	



Пожалуйста, посетите наш веб-сайт www.magmaweld.ru/условия-гарантии/wt чтобы ознакомиться с условиями гарантии.

İÇİNDEKİLER

	GÜVENLİK KURALLARI	103
1	TEKNİK BİLGİLER	
1.1	Genel Açıklamalar	108
1.2	Makine Bileşenleri	108
1.3	Ürün Etiketi	109
1.4	Teknik Özellikler	110
1.5	Aksesuarlar	110
2	KURULUM BİLGİLERİ	
2.1	Teslim Alırken Dikkat Edilecek Hususlar	111
2.2	Kurulum ve Çalışma Tavsiyeleri	111
2.3	Elektrik Fişi Bağlantısı	112
2.4	Şebekeye Bağlama	112
2.5	TIG Kaynağı İçin Bağlantılar	112
2.5.1	Torç Bağlantıları	112
2.5.2	Gaz Bağlantıları	113
2.5.3	Tetik Soket Bağlantıları	113
2.5.4	Topraklama Pensesi Bağlantıları	113
2.5.5	Torç Sarflarının Montajı	114
2.6	Örtülü Elektrod Kaynağı İçin Bağlantılar	114
3	KULLANIM BİLGİLERİ	
3.1	Kullanıcı Arayüzü	115
3.2	TIG Eğrisi	121
3.3	Makine Özellikleri	122
3.4	Tüketim Bilgileri	122
4	BAKIM VE ARIZA BİLGİLERİ	
4.1	Bakım	123
4.2	Hata Giderme	124
4.3	Hata Kodları	125
5	EKLER	
5.1	Yedek Parça Listesi	127
5.2	Bağlantı Şemaları	128

✓ GÜVENLİK KURALLARI

Kılavuzda Yer Alan Tüm Güvenlik Kurallarına Uyun!

Güvenlik Bilgilerinin Tanınması



- Kılavuzda yer alan güvenlik sembolleri potansiyel tehlikelerin tanımlanmasında kullanılır.
- Bu kılavuzda herhangi bir güvenlik sembolü görüldüğünde, bir yaralanma riski olduğu anlaşılmalı ve takip eden açıklamalar dikkatlice okunarak olası tehlikeler engellenmelidir.
- Makine sahibi, yetkisiz kişilerin ekipmana erişmesini engellemekten sorumludur.
- Makineyi kullanan kişiler kaynak / kesme konusunda deneyimli veya tam eğitilmiş kişiler olup, çalışma öncesinde kullanma kılavuzunu okumalı ve güvenlik uyarılarına uymalıdır.

Güvenlik Sembollerinin Tanınması



DİKKAT

Yaralanma ya da hasara neden olabilecek potansiyel tehlikeli bir durumu belirtir. Önlem alınmaması durumunda yaralanmalara veya maddi kayıplara / hasarlara neden olabilir.



ÖNEMLİ

Kullanıma yönelik bilgilendirmeleri ve uyarıları belirtir.



TEHLİKE

Ciddi tehlike olduğunu gösterir. Kaçınılması durumunda ölüm veya ağır yaralanmalar meydana gelebilir.

Güvenlik Uyarılarının Kavranması



- Kullanım kılavuzunu, makine üzerindeki etiket ve güvenlik uyarılarını dikkatli bir şekilde okuyunuz.
- Makine üzerindeki uyarı etiketlerinin iyi durumda olduğundan emin olunuz. Eksik ve hasarlı etiketleri değiştiriniz.
- Makinenin nasıl çalıştırıldığını, kontrollerinin doğru bir şekilde nasıl yapılacağını öğreniniz.
- Makinenizi uygun çalışma ortamlarında kullanınız.
- Makinenizde yapılabilecek uygunsuz değişiklikler makinenizin güvenli çalışmasına ve kullanım ömrüne olumsuz etki eder.
- Cihazın belirtilen koşullar dışında çalıştırılmasından doğan sonuçlardan üretici sorumlu değildir.

Elektrik Çarpmaları Öldürebilir



Kurulum prosedürlerinin ulusal elektrik standartlarına ve diğer ilgili yönetmeliklere uygun olduğundan emin olun ve makinenin yetkili kişiler tarafından kurulmasını sağlayın.

- Kuru ve sağlam izolasyonlu eldiven ve iş önlüğü giyin. Islak ya da hasar görmüş eldiven ve iş önlüklerini kesinlikle kullanmayın.
- Yanma riskine karşı alev dayanıklı koruyucu kıyafetler giyin. Operatörün kullandığı kıyafetler kıvılcım, sıçrıntı ve ark radyasyonuna karşı koruyucu olmalıdır.
- Yalnız başınıza çalışmayın. Bir tehlike durumunda, çalıştığınız ortamda haber verebileceğiniz birinin olduğundan emin olun.
- Elektroda çıplak elle dokunmayın. Elektrod penselinin veya elektrodun herhangi bir kişi ya da topraklanmış nesne ile temas etmesini engelleyin.
- Elektrik taşıyan parçalara kesinlikle dokunmayın.
- Eğer çalışma yüzeyine, zemine ya da başka bir makineye bağlı elektrodla temas halindeyseniz kesinlikle elektrodla dokunmayın.
- Çalışma yüzeyinden ve zeminden kendinizi izole ederek olası muhtemel elektrik şoklarından koruna bilirsiniz. Çalışma yüzeyiyle operatörün temasını kesecek kadar büyük, yamaz, elektriksiz açıdan yalıtık, kuru ve hasarsız izolasyon malzemesi kullanın.
- Elektrod pensesine birden fazla elektrod bağlamayın.
- Topraklama pensesini çalışma parçası ya da çalışma masasına metal metale iyi bir temas sağlayacak şekilde olabildiğince yakın bağlayın.
- Makineyi çalıştırmadan önce torcu kontrol edin. Torcun ve kablolarının iyi durumda olduğundan emin olun. Hasarlı, yıpranmış torcu mutlaka değiştirin.
- Çift açık devre voltajı olacağı için 2 farklı makineye bağlı elektrod penselerine aynı anda dokunmayın.
- Makineyi kullanmadığınız durumlarda kapalı tutun ve kabloların bağlantılarını sökün.
- Makineyi tamir etmeden önce tüm güç bağlantılarını ve/veya bağlantı fişlerini çıkartın ya da makineyi kapatın.
- Uzun şebeke kablosu kullanırken dikkatli olun.
- Tüm bağlantıların sıkı, temiz ve kuru olduğundan emin olun.

- Kabloların kuru, temiz olmasına ve yağlanmamasına özen gösterin. Sıcak metal parçalardan ve kıvılcıklardan koruyun.
- İzolasyonsuz, çıplak kablolar ölümcül tehlike yaratır. Tüm kabloları olası hasarlarla karşı sık sık kontrol edin. Hasarlı ya da izolasyonsuz bir kablo tespit edildiğinde derhal tamir edin veya değiştirin.
- Topraklama sensesi iş parçasına bağlı değil ise herhangi bir metal nesneyle temasını önlemek için izole edin.
- Elektrik hattının topraklamasının doğru yapıldığından emin olun.
- AC kaynak çıkışı ıslak, nemli ya da sıkışık alanlarda ve düşme tehlikesi bulunan yerlerde kullanmayın.
- AC çıkışı yalnızca kaynak prosesi için gerekli olduğu durumlarda kullanın.
- AC çıkış gerekli olduğu durumlarda eğer makinanızda mevcut ise uzaktan kontrol ünitesini kullanın.

Aşağıdaki elektriksiz açıldan tehlike içeren durumlardan biri mevcut olduğunda ekstra güvenlik önlemleri alın;

- Nemli yerlerdeyken veya ıslak kıyafetler giyerken,
 - Metal zemin, ızgara veya iskele yapılarında iken,
 - Oturma, diz çökme veya yatma gibi sıkışık konumlarda iken,
 - İş parçası veya zemine temas etme riski yüksek veya kaçınılmaz olduğunda.
- Bu durumlarda aşağıdaki ekipmanlar kullanılabilir;
- Yarı otomatik DC sabit gerilim (CV) MIG kaynak makinesi,
 - DC manuel Örtülü elektrod kaynak makinesi,
 - Var ise düşük açık devre gerilimine (VRD) sahip DC veya AC kaynak makinesi.

**Elektrik Çarpması
Durumunda
Uygulanması
Gerekenler**



- Elektrik gücünü kapatın.
- Elektrik şokuna kapılmış kazazedeyi elektrik taşıyan kablo veya parçalardan kurtarmak için kuru odun gibi iletken olmayan malzemeler kullanın.
- Acil servisi arayın.

İlk yardım eğitiminiz var ise;

- Kazazede nefes alamıyorsa elektrik kaynağı ile temas kesildikten hemen sonra kalp masajı (CPR) uygulayın. Solunum başlayana veya yardım gelene kadar kalp masajına devam edin.
- Otomatik bir elektronik defibrilatörün (AED) mevcut olduğu durumlarda talimatlara uygun şekilde kullanın.
- Elektrik yanığını termal yanık gibi soğuk kompres uygulayarak tedavi edin.
- Enfeksiyon kapmasını önleyin ve temiz, kuru bir örtü ile örtün.

**Hareketli Parçalar
Yaralanmalara
Yol Açabilir**



- Hareket halinde olan nesnelere uzak durun.
- Makine ve cihazlara ait tüm kapak, panel, kapı vb. koruyucuları kapalı ve kilitli tutun.
- Ağır cisimlerin düşme olasılığına karşı metal burunlu ayakkabı giyin.

**Duman ve Gazlar
Sağlığınız İçin
Zararlı Olabilir**



Kaynak ve kesme işlemi yapılırken çıkan duman ve gazın uzun süre solunması çok tehlikelidir.

- Gözlerde, burunda ve boğazda meydana gelen yanma hissi ve tahrişler; yetersiz havalandırmanın belirtileridir. Böyle bir durumda derhal havalandırmayı arttırın, sorunun devam etmesi halinde kaynak / kesme işlemini durdurun.
- Çalışma alanında doğal ya da suni bir havalandırma sistemi oluşturun.
- Kaynak / kesme işlemi yapılan yerlerde uygun bir duman emme sistemi kullanın. Gerekiyorsa tüm atölyede biriken duman ve gazları dışarıya atabilecek bir sistem kurun. Deşarj esnasında çevreyi kirletmemek için uygun bir filtrasyon sistemi kullanın.
- Dar ve kapalı alanlarda çalışıyorsanız veya kurşun, berilyum, kadmiyum, çinko, kaplı ya da boyalı malzemelerin kaynağını yapıyorsanız, yukarıdaki önlemlere ilave olarak temiz hava sağlayan maskeler kullanın.
- Gaz tüpleri ayrı bir bölgede gruplandırılmışsa buraların iyi havalandırılması sağlayın, gaz tüpleri kullanımında değilken ana vanalarını kapalı tutun, gaz kaçaklarına dikkat edin.
- Argon gibi koruyucu gazlar havadan daha yoğun ve kapalı alanlarda kullanıldıkları takdirde havanın yerine solunabilirler. Bu da sağlığınız için tehlikelidir.
- Kaynak / kesme işlemlerini yağlama veya boyama işlemlerinde açığa çıkan klorlu hidrokarbon buharlarının olduğu ortamlarda yapmayın.
- Bazı kaynak / kesim yapılan parçalar için özel havalandırma gerekir. Özel havalandırma gerektiren ürünlerin güvenlik kuralları dikkatlice okunmalıdır. Gaz maskesi takılması gereken durumlarda uygun gaz maskesi takılmalıdır.

Siçrıntı ve Ark Işığı Gözlerinizi ve Cildinize Zarar Verebilir



- Gözlerinizi ve yüzünüzü korumak için standarda uygun koruyucu maske ile ona uygun cam filtre kullanın.
- Vücutunuzun diğer çıplak kalan yerlerini (kollar, boyun, kulaklar, vb) uygun koruyucu giysilerle siçrıntı ve ark ışınlarından koruyun.
- Çevrenizdeki kişilerin ark ışınlarından ve sıcak metallere zarar görmemeleri için çalışma alanınızı göz hizasından yüksek, alev dayanıklı paravanlarla çevirin ve uyarı levhaları asın.
- Buz tutmuş boruların ısıtılmasında kullanılmaz. Kaynak / kesme makinesiyle yapılan bu işlem tesisatınızda patlama, yangın veya hasara neden olur.

Kıvılcımlar ve Siçrayan Parçalar Gözlerinizi Yaralayabilir



- Kaynak / kesme yapmak, yüzey taşlamak, fırçalamak gibi işlemler kıvılcımlara ve metal parçacıklarının siçramasına neden olur. Oluşabilecek yaralanmalara önlemek için koruyucu maskesinin altına, kenar korumalıkları olan onaylanmış koruyucu iş gözlükleri takın.

Sıcak Parçalar Ağır Yanıklara Neden Olabilir



- Sıcak parçalara çıplak el ile dokunmayın.
- Makinenin parçaları üzerinde çalışmadan önce soğumaları için gerekli sürenin geçmesini bekleyin.
- Sıcak parçaları tutmanız gerektiğinde, uygun alet, ısıl izolasyonu yüksek kaynak / kesme eldiveni ve yanmaz giysiler kullanın.

Gürültü, Duyma Yeteneğinize Zarar Verebilir



- Bazı ekipman ve işlemlerin oluşturacağı gürültü, duyma yeteneğinize zarar verebilir.
- Eğer gürültü seviyesi yüksek ise onaylanmış kulak koruyucularını takın.

Kaynak Teli Yaralanmalara Yol Açabilir



- Kaynak teli sargısını boşaltırken torcu vücudun herhangi bir bölümüne, diğer kişilere ya da herhangi bir metale doğru tutmayın.
- Kaynak telini makaradan elle açarken özellikle ince çaplarda tel, bir yay gibi elinizden fırlayabilir, size veya çevrenizdeki diğer kişilere zarar verebilir; bu işlemi yaparken özellikle gözlerinizi ve yüzünüzü koruyun.

Kaynak / Kesme İşlemi Yangınlara ve Patlamalara Yol Açabilir



- Yanıcı maddelere yakın yerlerde kesinlikle kaynak / kesim yapmayın. Yangın çıkabilir veya patlamalar olabilir.
- Kaynak / kesme işlemine başlamadan önce bu maddeleri ortamdan uzaklaştırın veya yanmalarını ve harlamalarını önlemek için koruyucu örtülerle üstlerini örtün.
- Bu alanlarda ulusal ve uluslararası özel kurallar geçerlidir.

- Tamamen kapalı tüplere ya da borulara kaynak / kesme işlemi uygulamayın.
- Tüp ve kapalı konteynerlere kaynak / kesme yapmadan önce bunları açın, tamamıyla boşaltıp, havalandırıp temizleyin. Bu tip yerlerde yapacağımız kaynak / kesme işlemlerinde mümkün olan en büyük dikkati gösterin.
- İşlemler daha önce, patlama, yangın ya da diğer tepkimelere neden olabilecek maddeler bulunan tüp ve borulara boş dahi olsalar kaynak / kesme yapmayın.
- Kaynak / kesme işlemi esnasında yüksek sıcaklık oluşur. Bu nedenle kolay yanabilecek veya hasar görebilecek yüzeylerin üzerine yerleştirmeyin !

- Kıvılcımlar ve siçrayan parçalar yangına sebep olabilir. Bu nedenle yangın söndürücü tüp, su, kum gibi malzemeleri kolay ulaşabileceğiniz yerlerde bulundurun.
- Yanıcı, patlayıcı ve basınçlı gaz devreleri üzerinde geri tepme ventilleri, gaz regülatörleri ve vanalarını kullanın. Bunların periyodik kontrollerinin yapıpı sağlıklı çalışmasına dikkat edin.

Makine ve Aparatların Yetkisiz Kişiler Tarafından Bakım Yapılması Yaralanmalara Neden Olabilir



- Elektrikli cihazlar yetkisiz kişilere tamir ettirilmemelidir. Burada yapılabilecek hatalar kullanımda ciddi yaralanmalara veya ölümlere neden olabilir
- Gaz devresi elemanları basınç altında çalışmaktadır; yetkisiz kişiler tarafından verilen servisler sonucunda patlamalar olabilir, kullanıcılar ciddi şekilde yaralanabilir.
- Makinanın ve yan birimlerinin her yıl en az bir kez teknik bakımının yaptırılması tavsiye edilir.

Küçük Hacimli Kapalı Alanlarda Kaynak / Kesme



- Küçük hacimli ve kapalı alanlarda mutlaka bir başka kişi eşliğinde kaynak / kesme işlemlerini yapın.
- Mümkün olduğu kadar bu tarz kapalı yerlerde kaynak / kesme işlemleri yapmaktan kaçınınız.

Taşıma Esnasında Gerekli Önlemlerin Alınmaması Kazalara Neden Olabilir



- Makinenin taşınmasında gerekli tüm önlemleri alınız. Taşıma yapılacak alanlar, taşımada kullanılacak parçalar ile taşımayı gerçekleştirecek kişinin fiziki koşulları ve sağlığı taşıma işlemine uygun olmalıdır.
- Bazı makineler son derece ağırdır, bu nedenle yerleri değiştirirken gerekli çevresel güvenlik önlemlerinin alındığından emin olunmalıdır.
- Makine bir platform üzerinden kullanılacaksa, bu platformun uygun yük taşıma sınırlarına sahip olduğu kontrol edilmelidir.
- Bir vasıta yardımı ile (taşıma arabası, forklift vb.) taşınacak ise vasıtanın ve makineyi vasıtaya bağlayan bağlantı noktalarının (taşıma askısı, kayış, civata, somun, tekerlek vb.) sağlamlığından emin olunuz.
- Elle taşıma işlemi gerçekleştirilecek ise Makine aparatlarının (taşıma askısı, kayış vb.) ve bağlantılarının sağlamlığından emin olunuz.
- Gerekli taşıma koşullarının sağlanması için Uluslararası Çalışma Örgütü'nün taşıma ağırlığı ile ilgili kurallarını ve ülkenizde var olan taşıma yönetmeliklerini göz önünde bulundurunuz.
- Güç kaynağının yerini değiştirirken her zaman tutamakları veya taşıma halkalarını kullanın. Asla torç, kablo veya hortumlardan çekmeyin. Gaz tüplerini mutlaka ayrı taşıyın.
- Kaynak / kesme ekipmanlarını taşımadan önce tüm ara bağlantılarını sökün, ayrı ayrı olmak üzere, küçük olanları saplarından, büyükleri ise taşıma halkalarından ya da forklift gibi uygun kaldırma ekipmanları kullanarak kaldırın ve taşıyın.

Düşen Parçalar Yaralanmalara Sebep Olabilir



Güç kaynağının ya da diğer ekipmanların doğru konumlandırılmaması, kişilerde ciddi yaralanmalara ve diğer nesnelere de maddi hasara neden olabilir.

- Makinenin düşmeyecek ve devrilmeyecek şekilde maksimum 10° eğime sahip zemin ve platformlara yerleştirin. Malzeme akışına engel olmayacak, kablo ve hortumlara takılma riskinin oluşmayacağı, hareketsiz; ancak geniş, rahat havalandırılabilir, tozsuz alanları tercih edin. Gaz tüplerinin devrilmemesi için tüpe uygun gaz platformu bulunan makinelerde platformun üzerine, sabit kullanımlarda ise devrilmeyecek şekilde zincirle duvara sabitleyin.
- Operatörlerin makine üzerindeki ayarlara ve bağlantılara kolayca ulaşmasını sağlayın.

Aşırı Kullanım Makinenin Aşırı Isınmasına Neden Olur



- Çalışma çevrimi oranlarına göre makinenin soğumasına müsaade edin.
- Akımı veya çalışma çevrimi oranını tekrar kaynağa / kesmeye başlamadan önce düşürün.
- Makinenin havalandırma girişlerinin önünü kapamayın.
- Makinenin havalandırma girişlerine, üretici onayı olmadan filtre koymayın.

Ark Kaynağı Elektromanyetik Parazitlere Neden Olabilir



Bu cihaz IEC 61000 -3 - 12 uyumlu değildir. Evlerde kullanılan alçak gerilim şebekesine bağlanmak istenmesi durumunda, elektrik bağlantısını yapacak tesisatçının veya makineyi kullanacak kişinin, makinenin bağlanabilirliği konusunda bilgi sahibi olması gereklidir, bu durumda sorumluluk kullanıcıya aittir.

- Çalışma bölgesinin elektromanyetik uyumluluğa (EMC) uygun olduğundan emin olun. Kaynak / kesme işlemi esnasında oluşabilecek elektromanyetik parazitler, elektronik cihazlarınızda ve şebekenizde istenmeyen etkilere neden olabilir. İşlem sırasında oluşabilecek bu parazitlerin neden olabileceği etkiler kullanıcının sorumluluğu altındadır.
- Eğer herhangi bir parazit oluşuyorsa, uygunluğu sağlamak için; kısa kablo kullanımı, korumalı (zırhlı) kablo kullanımı, makinenin başka bir yere taşınması, kabloların etkilenen cihaz ve/veya bölgeden uzaklaştırılması, filtre kullanımı veya çalışma alanının EMC açısından korunmaya alınması gibi ekstra önlemler alınabilir.
- Olası EMC hasarlarını engellemek için kaynak / kesme işlemlerinizi hassas elektronik cihazlarınızdan mümkün olduğunca uzakta (100 m) gerçekleştirin.
- Makinenizi kullanma kılavuzuna uygun şekilde kurulum yerleştirildiğinden emin olun.

Çalışma Alanının Elektromanyetik Uygunluğunun Değerlendirilmesi



IEC 60974-9 madde 5.2'ye göre; Kaynak / kesme donanımı tesis etmeden önce, işletme yetkilisi ve / veya kullanıcı, çevredeki olası elektromanyetik parazitler hakkında bir inceleme yapmalıdır. Aşağıda belirtilen haller göz önünde bulundurulmalıdır;

- Kaynak / kesme makinesi ve donanımının üstünde, altında ve yanındaki diğer besleme kabloları, kontrol kabloları, sinyal ve telefon kabloları,
- Radyo ve televizyon vericileri ve alıcıları,
- Bilgisayar ve diğer kontrol donanımı,
- Kritik güvenlik donanımı, örneğin endüstriyel donanımın korunması,
- Çevredeki insanların tıbbi aparatları, örneğin kalp pilleri ve işitme cihazları,
- Ölçme veya kalibrasyon için kullanılan donanım,
- Ortamdaki diğer donanımın başışıklığı. Kullanıcı, çevrede kullanılmakta olan diğer donanımın uyumlu olmasını sağlamalıdır. Bu, ilave koruma önlemleri gerektirebilir,
- Kaynak / kesme işleminin gün içindeki gerçekleştirileceği zaman, göz önüne alınarak çevrenin büyüklüğü, binanın yapısına ve binada yapılmakta olan diğer faaliyetlere göre inceleme alanı sınırları genişletilebilir.

Alanın değerlendirilmesine ek olarak cihaz kurulumlarının değerlendirilmesi de bozucu etkinin çözümü için gerekli olabilir. Gerek görülmesi durumunda, yerinde ölçümler azaltıcı önlemlerin verimliliklerini onaylamak için de kullanılabilir.

(Kaynak: IEC 60974-9).

Parazit Azaltma Yöntemleri



- Cihaz tavsiye edilen şekilde ve yetkili bir kişi tarafından elektrik şebekesine bağlanmalıdır. Eğer parazit oluşursa şebekenin filtrelenmesi gibi ek önlemler uygulanabilir. Sabit montajlı ark kaynağı ekipmanının beslemesi metal bir boru içerisinden veya eşdeğer ekranlı bir kablo ile yapılmalıdır. Ekran ile güç kaynağının mahfazası bağlı olmalı ve bu iki yapı arasında iyi bir elektriksel temas sağlanmalıdır.
- Cihazın tavsiye edilen rutin bakımları yapılmalıdır. Cihaz kullanımdayken, kaportanın tüm kapakları kapalı ve / veya kilitle olmalıdır. Cihaz üzerinde üreticinin yazılı onayı olmadan standart ayarları dışında herhangi bir değişiklik, modifikasyon kesinlikle yapılamaz. Aksi durumda oluşabilecek her türlü sonuçtan kullanıcı sorumludur.
- Kaynak / kesme kabloları mümkün olduğunca kısa tutulmalıdır. Çalışma alanının zemininden yan yana olacak şekilde ilerlemelidirler. Kaynak / kesme kabloları hiçbir şekilde sarılmamalıdır.
- Kaynak / kesme esasında makinede manyetik alan oluşmaktadır. Bu durum makinenin metal parçaları kendi üzerine çekmeye sebebiyet verebilir. Bu çekimi engellemek adına metal malzemelerin güvenli mesafede veya sabitlenmiş olduğundan emin olunuz. Operatör, bütün bu birbirine bağlanmış metal malzemelerden yalıtılmalıdır.
- İş parçasının elektriksel güvenlik amacıyla veya boyutu ve pozisyonu sebebiyle toprağa bağlanmadığı durumlarda (örneğin gemi gövdesi veya çelik konstrüksiyon imalatı) iş parçası ile toprak arasında yapılacak bir bağlantı bazı durumlarda emisyonları düşürebilir. İş parçasının topraklanmasının kullanıcıların yaralanmasına veya ortamdaki diğer elektrikli ekipmanların arıza yapmasına neden olabileceği unutulmamalıdır. Gerekli hallerde iş parçası ile toprak bağlantısı doğrudan bağlantı şeklinde yapılabilir fakat doğrudan bağlantıya izin verilemeyen bazı ülkelerde bağlantı yerel düzenleme ve yönetmeliklere uygun olarak, uygun kapasite elemanları kullanılarak oluşturulabilir.
- Çalışma alanındaki diğer cihazların ve kabloların ekranlanması ve muhafazası bozucu etkilerin önüne geçilmesini sağlayabilir. Kaynak / kesme bölgesinin tamamının ekranlanması bazı özel uygulamalar için değerlendirilebilir.

Elektromanyetik Alan (EMF)



Herhangi bir iletken üzerinden geçen elektrik akımı, bölgesel elektrik ve manyetik alanlar (EMF) oluşturur.

Operatörler EMF'ye maruz kalmının sebep olduğu riski en aza indirmek için aşağıdaki prosedürleri uygulamalıdır;

- Manyetik alanı azaltmak adına kaynak / kesme kabloları bir araya getirilmeli, mümkün olduğunca birleştirici malzemelerle (bant, kablo bağı vb.) emniyet altına alınmalıdır.
- Operatörün gövdesi ve başı, kaynak / kesme makine ve kablolarından mümkün olduğunca uzakta tutulmalıdır,
- Kaynak / kesme ve elektrik kabloları vücudun etrafına hiçbir şekilde sarılmamalıdır,
- Vücut, kaynak / kesme kablolarının arasında kalmamalıdır. Kaynak / kesme kablolarının her ikisi yan yana olmak üzere vücudun uzağında tutulmalıdır,
- Dönüş kablosu iş parçasına, kaynak / kesme yapılan bölgeye mümkün olduğunca yakın bir şekilde bağlanmalıdır,
- Güç ünitesine yaslanmamalı, üzerine oturmamalı ve çok yakınında çalışılmamalıdır,
- Güç ünitesini veya tel besleme ünitesini taşıırken kaynak / kesme işlemi yapılmalıdır.

EMF ayrıca, kalp pilleri gibi tıbbi implantların (vücut içine yerleştirilen madde) çalışmasını bozabilir. Tıbbi implantları olan kişiler için koruyucu önlemler alınmalıdır. Örneğin, yoldan geçenler için erişim sınırlaması koyulabilir veya operatörler için bireysel risk değerlendirmeleri yapılabilir. Bir tip uzmanı tarafından, tıbbi implantları olan kullanıcılar için risk değerlendirmesi yapıp, öneride bulunulmalıdır.

**Koruma**

- Makineyi yağmura maruz bırakmayın, üzerine su sıçramasına veya basınçlı buhar gelmesine engel olun.

Enerji Verimliliği

- Yapacağınız kaynak / kesme işlemine uygun yöntem ve makine tercihinde bulunun.
- Kaynak / kesme yapacağınız malzemeye ve kalınlığına uygun akım ve / veya gerilimi seçin.
- Kaynak / kesme yapmadan uzun süre beklenilecekse, fan makineyi soğuttuktan sonra makineyi kapatın. Akıllı fan kontrolü olan makinelerimiz kendi kendine duracaktır.

Atık Prosedürü

- Sahip olduğunuz kaynak makinesi evsel kullanım için tasarlanmamıştır. Bu ürün Atık Elektrikli ve Elektronik Eşyaların (AEEE) Kontrolü Yönetmeliği kapsamında değerlendirilmekte olup Magmaweld söz konusu yönetmeliğin 15.maddesinde belirtilen toplama hedeflerinden muaftır.
- Magmaweld ürettiği kaynak makinelerinin AEEE yönetmeliği hükümlerine uygun olarak üretilmiş olduğunu taahhüt eder.

GARANTİ FORMU

Garanti Formu için www.magmaweld.com.tr/garanti-formu/wr web sitemizi ziyaret ediniz.

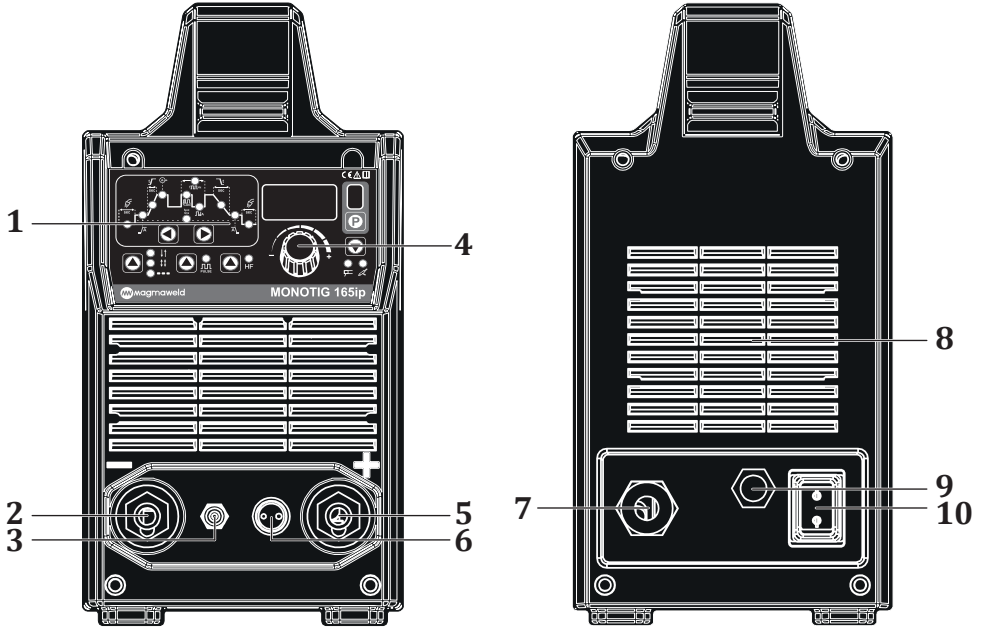


TEKNİK BİLGİLER

1.1 Genel Açıklamalar

monoTIG 165ip ve monoTIG 200ip invertör tipi, Pulse'lı TIG ve Örtülü Elektrod kaynak makinesidir. Kontrol paneli üzerinden tüm kaynak parametreleri ayarlanabilir ve dijital göstergeler aracılığıyla izlenebilir. Uygun güç ve frekansı sağlayacak jeneratörlerle çalışmaya uygundur. (Detaylı bilgi için makine özelliklerine bakınız.) Fan soğutmalıdır ve aşırı ısınmaya karşı termik korumalıdır.

1.2 Makine Bileşenleri



Şekil 1 : Ön ve Arka Görünüm

- | | |
|--|---------------------------|
| 1- Kontrol Paneli | 6- Tetik Kontrol Soketi |
| 2- Kaynak Ve Toprak Kablosu Soketi (-) | 7- Besleme Kablosu Girişi |
| 3- Gaz Çıkışı | 8- Fan |
| 4- Ayar Potu | 9- Gaz Girişi |
| 5- Kaynak ve Toprak Kablosu Soketi (+) | 10- Açma / Kapama Düğmesi |

1.3 Ürün Etiketli

MAGMA MEKATRONİK MAKİNE SAN. VE TİC. A.Ş. Organize Sanayi Bölgesi 5.Kısım Manisa-TÜRKİYE					
MONOTIG 165ip		S/N:			
1- [TIG] [S] [D]		EN 60974-1/-10 Cl. A			
[S]	$U_0=65V$	5A / 10.2V - 160A / 16.4V			
		$X^{(40^\circ C)}$	30%	60%	100%
		I_1	160A	113A	88A
		U_2	16.4V	14.5V	13.5V
[D]	$U_1=230V$	$I_{max}=21.8A$	$I_{ref}=12A$		
[S]	$U_0=65V$	5A / 20.2V - 160A / 26.4V			
		$X^{(40^\circ C)}$	20%	60%	100%
		I_1	160A	92A	72A
		U_2	26.4V	23.7V	22.9V
[D]	$U_1=230V$	$I_{max}=32.2A$	$I_{ref}=14.5A$		
IP23		CE	EAC	UK CA	

1- [TIG] [S] [D] Tek Fazlı Transformatör Doğrultucu



TIG Kaynağı



Örtülü Elektrod Kaynağı



Doğru Akım



Şebeke Girişi-1 Fazlı Alternatif Akım



Tehlikeli Ortamlarda Çalışmaya Uygun

S/N

Seri Numarası

X

Çalışma Çevrimi

U_0

Boşta Çalışma Gerilimi

U_1

Şebeke Gerilimi ve Frekansı

U_2

Anma Kaynak Gerilimi

I_1

Şebekeden Çekilen Anma Akımı

I_2

Anma Kaynak Akımı

S_1

Şebekeden Çekilen Güç

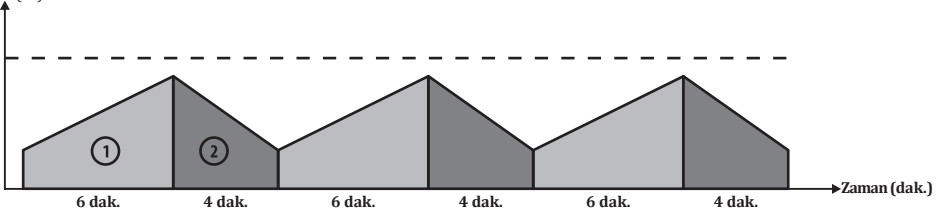
• S / N (Seri Numara) Açıklaması

IP23

Koruma Sınıfı

Makine ID				Üretim				Sıra No				
X	X	X	X	Yıl	Hafta	X	X	X	X	X	X	X
X	X	X	X	X	X	X	X	X	X	X	X	X
Makine Grubu	Model Sırası	0 yıl içerisinde üretilen makine sıra numarası										

Çalışma Çevrimi Sıcaklık (C°)



EN 60974-1 standardında da tanımlandığı üzere çalışma çevrim oranı 10 dakikalık bir zaman periyodunu içerir. Örnek olarak %60'da 250A olarak belirtilen bir makinede 250A'de çalışılmak isteniyorsa, makine 10 dakikalık zaman periyodunun ilk 6 dakikasında hiç durmadan kaynak / kesme yapabilir (1 bölgesi). Ancak bunu takip eden 4 dakika makine soğuması için boşta bekletilmelidir (2 bölgesi).

1.4 Teknik Özellikler

TEKNİK ÖZELLİKLER	BİRİM	monoTIG 165ip
Şebeke Gerilimi (1 faz - 50-60 Hz)	V	230
Şebekeden Çekilen Güç (MMA)	kVA	7.41 (%30)
Şebekeden Çekilen Güç (TIG)	kVA	5.01 (%30)
Güç Kaynağı Verimliliği	%	MMA 85,23 / TIG 85,16
İşlevsiz Durum Güç Tüketimi	W	N/A (EN IEC 60974-1,Annex M)
Kaynak Akım Ayar Sahası	ADC	5-160
Anma Kaynak Akımı	ADC	160 (%30)
Açık Devre Gerilimi	VDC	65
Kaynak Elektrod Çapı Aralığı	mm	2.00 - 3.25
Tungsten Elektrod Çapı Aralığı	mm	1.00 - 2.40
Boyutlar (UxGxY)	mm	521 x 160 x 311
Ağırlık	kg	10,6
Koruma Sınıfı		IP23

1.5 Aksesuarlar

STANDART AKSESUARLAR	ADET	monoTIG 165ip
Topraklama Pensesi ve Kablosu	1	7905201603
Gaz Hortumu	1	7907000002
Torç	1	7110018004
OPSİYONEL AKSESUARLAR	ADET	monoTIG 165ip
Elektrod Pensesi ve Kablosu	1	7906201603
Gaz Regülatörü	1	7020001004
Su Soğutma Ünitesi (CSP 40)	1	7910005200
Lava TIG 26 (8 m) Hava Soğutmalı TIG Torcu	1	7110018008
Lava TIG 18W (4 m) Su Soğutmalı TIG Torcu	1	7110038004
Lava TIG 18W (8 m) Su Soğutmalı TIG Torcu	1	7110038008
TIG Aksesuar Seti Hava Soğutmalı (Torç + Regülatör)	1	7910000510
TIG Aksesuar Seti Su Soğutmalı (Torç + Regülatör)	1	7910000530
Taşıma Arabası	1	7910000100

KURULUM BİLGİLERİ

2.1 Teslim Alırken Dikkat Edilecek Hususlar

Sipariş ettiğiniz tüm malzemelerin gelmiş olduğundan emin olun. Herhangi bir malzemenin eksik veya hasarlı olması halinde derhal aldığımız yer ile temasa geçin.

Standart kutu şunları içermektedir;

- Ana makine ve ona bağlı şebeke kablosu
- Topraklama pensesi ve kablosu
- Garanti belgesi
- Torç
- Kullanma kılavuzu

Hasarlı teslimat halinde tutanak tutun, hasarın resmini çekin, irsaliyenin fotokopisi ile birlikte nakliyeciy firmaya bildirin. Sorunun devam etmesi halinde müşteri hizmetleri ile irtibata geçin.

Cihaz üzerindeki sembol ve anlamları;



Kaynak yapma işlemi tehlike içermektedir. Uygun çalışma koşulları sağlanmalı ve gerekli önlemler alınmalıdır. Uzman kişiler makinede sorumlu olup, gerekli donanımları sağlamalıdır. İlgili olmayan kişiler kaynak sahasından uzak tutulmalıdır.



Bu cihaz IEC 61000-3-12 uyumlu değildir. Evlerde kullanılan alçak gerilim şebekesine bağlanmak istenmesi durumunda, elektrik bağlantısını yapacak tesisatçının veya makineyi kullanacak kişinin, makinenin bağlanabilirliği konusunda bilgi sahibi olması gereklidir, bu durumda sorumluluk kullanıcıya aittir.



Cihaz üzerinde ve kullanım kılavuzunda bulunan güvenlik sembollerine ve uyarı notlarına dikkat edilmeli, etiketleri sökülmemelidir.



Izgaralar havalandırma amaçlıdır. Açıklıkların üzeri iyi bir soğutma sağlamak amacıyla örtülmemeli ve içeriye yabancı cisim sokulmamalıdır.

2.2 Kurulum ve Çalışma Tavsiyeleri

- Makineyi taşımak için kaldırma halkaları ya da forklift kullanılmalıdır. Makineyi gaz tüpüyle birlikte kaldırmayın. Çanta tipi taşınabilir kaynak makinelerinde elle taşıma yapılırken İş Sağlığı ve Güvenliği yönetmeliğine uygun şekilde hareket edilmelidir. Taşıma işleminin mümkün olduğu kadar sağlık ve güvenlik şartlarına uygun olarak yapılabilmesi için işyerinde gerekli düzenlemeler yapılmalıdır. Çalışma ortamının özellikleri ve yapılan işin gereklerine uygun önlemler alınmalıdır. Makine düşmeyeceği ve devrilmeyeceği sert, düzgün ve eğimsiz bir zemine yerleştirilmelidir.
- Makineyi direk güneş ışığı altında çalıştırmayın. Ortam sıcaklığının 40°C aştığı durumlarda, makineyi daha düşük akımda ya da daha çevrim oranında çalıştırın.
- Dış mekanlarda rüzgar ve yağmur varken kaynak yapmaktan kaçınınız. Bu tür durumlarda kaynak yapmak zorunluyorsa, kaynak bölgesini ve kaynak makinesini perde ve tenteye koruyun. İçeride kaynak yapıyorsanız, uygun bir duman emme sistemi kullanın. Kapalı mekanlarda kaynak dumanı ve gazı soluma riski varsa, solunum aparatları kullanın.
- Makineyi konumlandırırken duvar, perde, pano gibi materyallerin makinenin kontrol ve bağlantılarına kolay erişimi engellemediğinden emin olun.
- Ürün etiketinde belirtilen çalışma çevrimi oranlarına uyun. Çalışma çevrimi oranlarını sıklıkla asmak, makineye hasar verebilir ve bu durum garantiyi geçersiz kılabılır.
- Sisteminize uygun sigortayı kullanın.
- Toprak kablosunu kaynak bölgesinin olabildiğince yakınına, sıkıca bağlayın.
- Kaynak akımının kaynak kabloları dışındaki ekipmanlar üzerinden geçmesine izin vermeyin.
- Çalışma sırasında kaynak kabloları ve şebeke kablosu makine gövdesine sarılı olmamalıdır.
- Gaz tüpü makinenin üzerine yerleştirildiğinde, derhal zinciri bağlayarak gaz tüpünü sabitleyin. Eğer gaz tüpünü makinenin üzerine yerleştirmeyeceksiniz, tüpü zincirle duvara sabitleyin.

2.3 Elektrik Fişi Bağlantısı



Güvenliğiniz için, makinenin şebeke kablosunu kesinlikle fişsiz kullanmayın.

Fabrika, şantiye ve atölyelerde farklı prizler bulunabileceği için şebeke kablosuna bir fiş bağlanmamıştır. Prize uygun bir fiş, kalifiye bir elektrikçi tarafından bağlanmalıdır. Toprak kablosunun mevcut olduğundan emin olun. Fişi kabloya bağladıktan sonra, bu aşamada prize takmayın.

2.4 Şebekeye Bağlama



Fişi prize takarken, makinenin açma/kapama düğmesinin "0" konumunda olduğundan emin olun.

Bağlantı konusunda yetkili kişilerden (kalifiye elektrikçi vs.) destek alınmalıdır. Makineyi şebekeye bağlamadan önce faz voltajı kontrol edilmelidir. Doğru olduğu tespit edildikten sonra fiş prize takılmalıdır. Açma/Kapama düğmesini "1" konumuna getirerek makineyi çalıştırın. Kontrol panelindeki gösterge ve ledlerin yandığından ve soğutma fanının çalıştığından emin olun.

2.5 TIG Kaynağı İçin Bağlantılar



Makineyi şebekeye bağlamadan önce şebekede doğru gerilimin olup olmadığını kontrol edin. Fişi prize takarken, açma kapama düğmesinin kapalı konumda "0" olduğundan emin olun.

- Açma / kapama düğmesi ile makineyi çalıştırın ve ledlerin yanıp yanmadığını ve soğutma fanının çalışıp çalışmadığını kontrol edin.

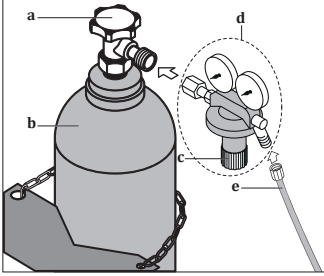
Tungsten Elektrod Çapı (mm)	Tavsiye Edilen TIG Kaynak Akımı
1.6	30-130
2.0	45-180
2.4	70-240

2.5.1 Torç Bağlantıları

- TIG torcunun fişini eksi kutuplu kaynak soketine sokup sağa çevirerek iyice sıkın. Makineyle birlikte gelen torç tetik konnektörünü torcun tetik kontrol kablolarına takın. Ardından konnektörü tetik kontrol soketine bağlayın.
- Torcun gaz hortumunu gaz çıkışına bağlayın.
- Su soğutma sistemi kullanılması durumunda su soğutmalı torcun hortumlarını su soğutma ünitesine bağlayın.

2.5.2 Gaz Bağlantıları

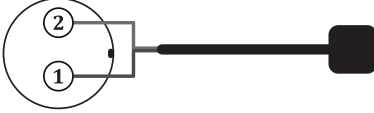
- Argon gaz tüpünü **(b)** zincirle sabitleyin.
- Emniyetle çalışmak ve iyi sonuçlar elde etmek için standartlara uygun bir regülatör **(d)** kullanın.
- Gaz tüpü vanasını **(a)** bir süre açık tutarak, olası tortu ve partiküllerin dışarı atılmasını sağlayın.
- Gaz regülatörünü gaz tüpüne bağlayın, gaz tüpünün gaz çıkışındaki vida dişi ile regülatörün somununun örtüştüğünden emin olun.
- Tüp hortumunun **(e)** bir ucunu gaz regülatörüne, diğer ucunu makinenin arkasındaki gaz girişine bağlayıp gaz tüpü vanasını açın.
- Basınç ayar vanası **(c)** ile gaz debisini ayarlayın
- Bağlantılarda sızıntı olmadığından emin olun.



Elektrod Çapı (mm)	Nozul Çapı (mm)	Kaynak Akımı (ADC)	Gaz Debisi (lt/dak)
1.0	6.3	30-70	6-8
1.6	9.5	30-150	6-8

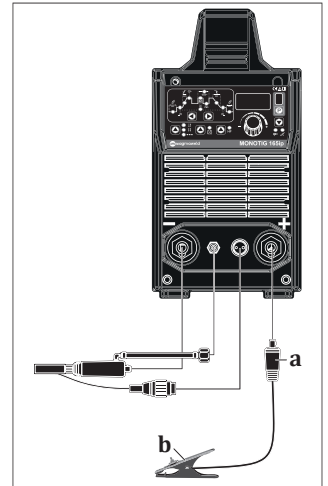
2.5.3 Tetik Soket Bağlantıları

- TIG Torç Bağlantısı; Tetik kontrol soketine 1-2 nolu uçlar gelecek şekilde şekildaki gibi bağlanmalıdır.



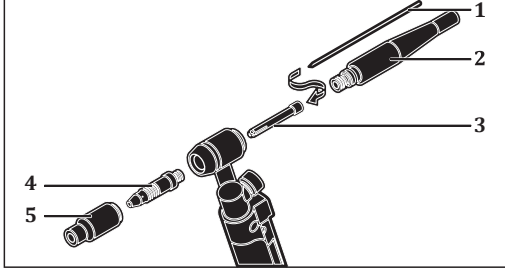
2.5.4 Topraklama Pensesi Bağlantıları

- Topraklama pensesi kablosunun fişini **(a)** artı kutuplu sokete sokup sağa çevirerek iyice sıkın.
- Kaynak kalitesini arttırmak için, topraklama pensesini **(b)**, kaynak yapılacak bölgeye olabildiğince yakın bir yerde, iş parçasına sıkıca bağlayın.



2.5.5 Torç Sarflarının Montajı

- Seramik gaz nozulu (5) ve tungsten elektrod (1) çalışma akımına ve iş parçasının şekline göre seçilmelidir. Buna bağlı olarak kışkaç (3) ve kışkaç tutucunun (4) çapları tungsten elektrodun çapıyla örtüşmelidir.
- Sıkıştırma başlığını (2) çıkartın.
- Mevcut elektrodu, elektrod kışkacından çıkartıp yeni tungsten elektrodun çapıyla örtüşmelidir.
- Elektrod kışkacını torca takın.
- Sıkıştırma başlığını iyice sıkıştırın.



Şekil 3 : Torç Sarflarının Montajı

2.6 Örtülü Elektrod Kaynağı İçin Bağlantılar

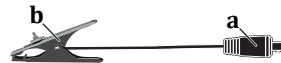


Makineyi şebekeye bağlamadan önce şebekede doğru gerilimin olup olmadığını kontrol edin. Fişi prize takarken, açma kapama düğmesinin kapalı konumda "0" olduğundan emin olun.

- Açma/kapama düğmesi ile makineyi çalıştırın ve ledlerin yanıp yanmadığını ve soğutma fanının çalışıp çalışmadığını kontrol edin.
- Elektrod pensesi kablosunun fişini (c) ve topraklama pensesi kablosunun fişini (a), kullanılacak elektroda ve elektrodun üreticisinin tavsiye ettiği kutuplara göre kaynak ve toprak kablosu soketlerine bağlayın.
- Kaynak kalitesini arttırmak için, topraklama pensesini (b), kaynak yapılacak bölgeye olabildiğince yakın bir yerde, iş parçasına sıkıca bağlayın.

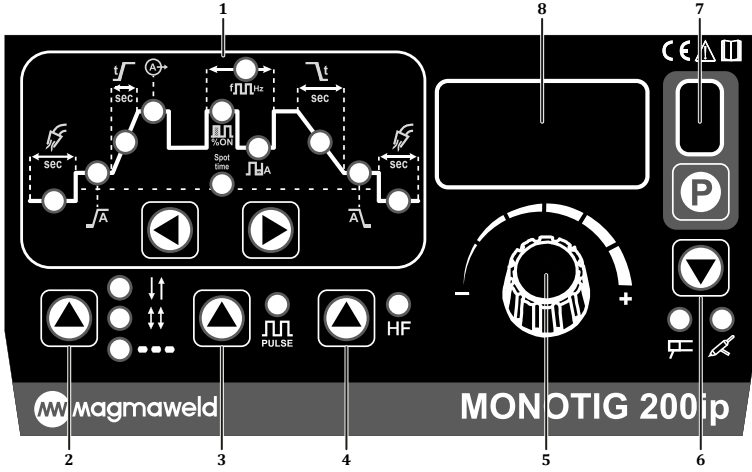


Örtülü Elektrod Çapı "mm"	Tavsiye Edilen Kaynak Akımı	
	Rutil	Bazik
2.0	40-60 A	-
2.5	60-90 A	60-90 A
3.25	100-140 A	100-130 A
4.0	140-180 A	140-180 A

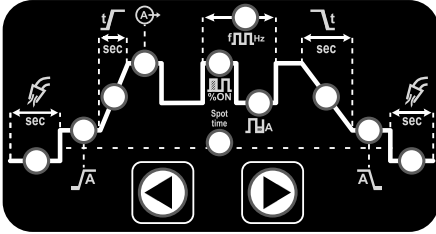


KULLANIM BİLGİLERİ




3.1 Kullanıcı Arayüzü











1- TIG Eğrisi



  Tuşlar yardımıyla TIG eğrisindeki parametreler arasında dolaşabilirsiniz. Hangi parametre seçili ise o parametreye ait led yanacaktır.

	Ön Gaz Torçun içinden gelen koruyucu gazın kaynak bölgesine ulaşması, oluşan ark hızı ile kıyaslandığında daha geç olacağından, kaynak bölgesinde kararırma ve deformasyon oluşabilir. Ayrıca tungsten ucun ömrü kısalmır: 0 - 20 sn aralığında ayar imkanı sunar. Bu ayar sayesinde kaynağa başlamadan önce gazın kaynak alanına ulaşması sağlanır.
	Başlangıç Akımı Kaynak arki belirlenen akım değerinde oluşacaktır. % değeri ile ayarlanır: Ana akımın belirlenen % değeri altında başlangıç akımı oluşur: 5 A - %100 arasında ayar imkanı sunar.
	Rampa Süresi Belirlenen süre içerisinde başlangıç akımından kaynak akımına geçiş gerçekleşir. Ayar aralığı 0 - 10 sn'dir.

	<p>Ana Akım Kaynağın yapılacağı gerçek akımdır. monoTIG 165ip modelinde 5 - 160 Amper, monoTIG 200 ip modelde ise 5 - 200 Amper aralığında ayarlanabilir.</p>
	<p>Frekans Genliği Pulse modu seçili olduğunda aktif olur. Bir darbe çevrimi içinde, düşük akım ile yüksek akım arasındaki genlik oranını belirler. Ayarlanan yüksek akımın 1 periyod içerisinde ne kadar devrede olacağını gösterir. Fabrika çıkışı %50 şeklinde ayarlıdır. %1-99 arasında ayar imkanı sunar. Düşük akım çukur akımı olup, yüksek akım ana akımdır. Örnek; Duty cycle %1 olarak ayarlandığında ana akım 100 A ve çukur akım 50 A olsun, 100 ms içerisinde 1 ms 100 A, 99 ms 50 A in iş yapacağını gösterir.</p>
	<p>Pulse Frekans Pulse modu seçili olduğunda aktif olur. Pulse modunda kaynak akımı ve düşük akımdan oluşan bir darbe çevriminin frekansını belirler. Saniyede darbe sayısı olarak da belirtilebilir. 0.1-2000 Hz arası ayar imkanı sunar. Fabrika ayarı 5 Hz'dir. İş parçası kalınlığına veya kullanıcının istediğine göre ayarlanır.</p>
	<p>Çukur Akımı (Tamir Akımı) % cinsinden ayarlanır. Ana akımın belirlenen % oranında altında oluşur. Kaynak esnasında oluşan hataları düzeltmek için kullanılır. %1-100 arasında ayar imkanı sunar. Sadece çok fonksiyonlu torç ile kullanılmaktadır. Pulse modu aktif iken düşük akımı belirler. Not Çukur akım sadece 4 tetik modunda kullanılır. Tetiğe basıp çekerek kaynak başlatılır; tekrar tetiğe basılır ve basılı tutulduğu süre boyunca çukur akım değeri kullanılır. Tetikten parmağınızı çektiğinizde normal akıma geri dönerek kaynağa devam edersiniz. Tetiğe kısa süreli basıp çekmeniz durumunda kaynak sonlanacaktır.</p>
	<p>Spot Time Punta modunda belirlenen süre boyunca kaynağa devam edecek, süre sonunda kaynak sonlanacaktır. Ayar aralığı 0,5-20 sn'dir.</p>
	<p>Bitiş Rampa Süresi Kaynağı sonlandırırken, ana kaynak akımından bitiş akımına geçiş süresi ayarlanır. 0-10 sn aralığında ayar imkanı sunulur.</p>
	<p>Krater Doldurma (Son Akım) Kaynak sonlandırılırken, ana akımdan bitiş akımına geçer. Bu akımda kaynak dikışı düzeltilerek kaynak sonlandırılır. Not Başlangıç Akımı - Rampa Süresi - Ana Akım ilişkisi: Ayarlanan başlangıç akımı ana akım değerinden düşük tutulur. Ark başlangıç akımı ile gerçekleşir ve ayarlanan rampa süresi boyunca ana akıma yavaş yavaş çıkarılır. Bu sayede tungsten ucun ömrü uzar ve daha stabil bir ark başlangıcı elde edilir.</p>
	<p>Son Gaz Kaynak sonlandırıldıktan sonra ayarlanan süre boyunca koruyucu gaz gelmeye devam eder. Bu sayede tungsten ucun soğutulması sağlanarak ömrü uzatılır ve aynı anda kaynak havuzu da soğuyana kadar korunmuş olur. 0 - 20 sn aralığında ayar imkanı sunar.</p>

2- Tetik Modları / Hot Start - Arc Force Seçimi



Dokunmatik yapıya sahip buton ile TIG modları seçili iken 2/4 Tetik ve Punta modları arasında geçiş yapabilir, Elektrod modları seçili iken de Hot Start ve Arc Force ayarlarını değiştirebilirsiniz.

	<p>Ht</p> <p>Elektrodun ilk tutuşturulması esnasında 2 katına kadar akım vererek tutuşma kolaylığı sağlar.</p> <ul style="list-style-type: none"> Akım ayar potu yardımıyla Hot Start % 0-100 arasında ayarlanır. 0 ayarlanırsa ilk tutuşturmada ana akımın üstüne hiçbir değer koymaz, 100 e ayarlanırsa ana akımın üstüne %100'ü kadar değer koyar. Tutuşturmaya Hot Start değerine göre ayarlanan amperle yapıp, çok kısa süre içinde tekrar ana kaynak akımına geri döner. Hot Start fabrika ayarlarında 20 olarak gelir.
	<p>Ar</p> <p>Elektrod kaynağı yaparken, arkın kopma eğilimine girmesi durumunda ana kaynak akımının iki katı değere kadar akımı yükselterek ark kesintisini engeller.</p> <ul style="list-style-type: none"> Arc Force 0-100 arasındadır. Arc Force elektrodun yapışma eğilimi gösterdiği durumlarda akımı ayarlayarak elektrodun yapışmasını engeller Fabrika ayarlarında Arc Force değeri 0'dır.
	<div style="display: flex; justify-content: space-around; align-items: flex-start;"> <div style="text-align: center;"> <p>Tetiğe Basın</p> </div> <div style="text-align: center;"> <p>Tetiğe Basılı Tutun</p> </div> <div style="text-align: center;"> <p>Tetiği Bırakın</p> </div> </div> <p>2 Tetik Modunda;</p> <ul style="list-style-type: none"> Tetiğe basıldığında kaynak başlar; ön gazı verir minimum akımda tutuşturur kalkış rampasını yapar ana akımda kaynağa devam eder. Tetik bırakıldığı anda bitiş rampasını yapar, krater doldurma akımında krateri doldurur son gaz süresini yapar ve kaynağı tamamlar. <p>2 Tetik Modunda TIG Eğrisi şu şekilde çalışır;</p> <ul style="list-style-type: none"> Ön gaz süresi 0 sn ile 20 sn arasında ayarlanabilir. Fabrika ayarı 1 sn'dir. Başlangıç akımı (ilk tutuşturma akımı) ana akımın %30 u şeklindedir. Yukarı rampa süresi 0-10 sn arasındadır. Bu tutuşturma akımından ana akıma çıkacağınız rampayı belirler. Bitiş rampası kalkış rampasında olduğu gibi ana akımdan bitiş akımına ulaşacak süreyi belirler. Bitiş akımı ana akımın %30'u şeklindedir. <div style="display: flex; align-items: center; margin-top: 20px;"> <div style="margin-left: 20px;"> <p>PrG : Ön Gaz Süresi</p> <p>I : Kaynak Akımı</p> <p>PoG : Son Gaz Süresi</p> </div> </div>

**Örnek;**

100 A başlangıç akımınız var ise krater akımı (bitiş akımı) 30 A'dır. Bitiş rampa süresi 1 sn olarak ayarlandıysa ana akımdan krater akımına 1 sn de düşeceğini gösterir.

- Krater akımından sonra son gaz süresi vardır. Son gaz süresi 0-20 sn arasında ayarlanır. Kullanıcının isteğine göre bu süre değişebilir.
- TIG kaynaklarında kaynak sonlarında kararma ya da Tungsten uça çabuk bozulma kararma gibi şikayetler alınıyor ise son gaz süresini arttırmak gerekmektedir.

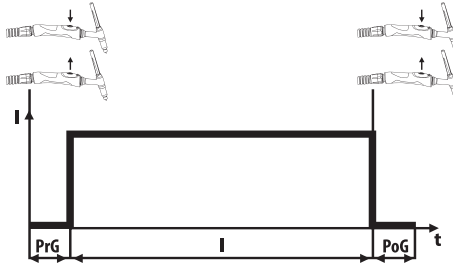
TR

4 Tetik Modunda;

- Tetiğe bastığınızda ön gaz gelir. Ön gazdan sonra tutuşturma akımında kaynağı başlatır. Tetik bırakılmadığı sürece tutuşturma akımında makine kaynak yapmaya devam eder, tetik bırakıldığında ayarlanan rampa süresi kadar ramayı yapar ve ana akımda kaynağa devam eder.
- Kaynağı bitirmek istediğinizde tetiğe tekrar bastığınızda rampa süresi ilerlemeye başlar ve tetiğe bastığınız sürece rampada devam eder.
- Rampa süresi bittiğinde krater doldurmada bekler ve krater doldurmasını sağlar.
- Krater bittikten sonra elinizi tetikten çekersiniz.
- Son gaz süresinde parçayı soğutur ve böylelikle kaynak işlemini tamamlarsınız.

4 Tetik Modunda TIG Eğrisi şu şekilde çalışır;


- 4 tetik modunda 2 tetik modundaki tüm menüler ve ayarları aynı şekilde geçerlidir. 4 tetik modunda 2 tetik modundan farklı olarak TIG Eğrisinde çukur akımı da aktiftir. Çukur akımı sadece çok fonksiyonlu torç ile 4 tetik modunda kullanılır.
- Çukur akım kaynak esnasında oluşan hataları düzeltmek için kullanılır.
- Çukur akımı % olarak belirlenir: % 1-100 aralığındadır. Makine 100 A ve çukur akım 50 ise çukur akım ana akımın % 50'si olan 50 A ayarlanmış demektir. Burada yüksek ve düşük akımların seviyesi ayarlanır.



PrG : Ön Gaz Süresi
I : Kaynak Akımı
PoG : Son Gaz Süresi

Örnek;

Ana akım 100 A çukur akımı 50 A ayarlanmış olsun, makinada çok fonksiyonlu torç kullanılıyor ise makine 100 A kaynak yapıyor iken torç üzerinden çukur akımı tuşuna basıldığında makine kendini 50 A çeker. Böylelikle kaynak dikişinde olası bir bozukluk var ise ısınan bölgede delmeyi engellemek için makine düşük akıma çekilir ve tamir yapılır sonra torç üzerinden ana akım tuşuna tekrar basıldığında makine 100 Ampere geri gelir ve kullanıcı kaldığı yerden kaynağına devam eder.

	<p>Punta Modu</p> <p>TIG kaynağı modları seçili olduğunda aktif olur. Tetiğe bir kez basılması ile ana akımda tuşturur, ayarlanan süre boyunca kaynak devam eder ve süre sonunda kendiliğinden kaynak biter.</p> <ul style="list-style-type: none"> • Punta modu seçildiği olduğu anda TIG eğrisinde çoğu bölge bypass olur sadece 3 seçenek ayarlanabilir. Son gaz süresi, ana akım ve spot time. • Spot time puntadaki kaynak zamanıdır. <p>Örnek;</p> <p>2 sn ayarlanmış olsun; Tetiğe bastığımızda kaynak yapmaya başlar 2 sn boyunca kaynak yapar ve tetiği bırakmanızı beklemeden 2 sn sonunda kaynağı otomatik olarak bitirirsiniz.</p>
---	--

TR

3- Pulse Modu Seçimi



TIG konumunda pulse fonksiyonuna geçişi sağlar. Butona Bir kez basılarak aktif ya da kapalı konuma geçilecektir. Ledi yandığında aktif olacaktır. Pulse modu aktif olduğunda, ilişkili diğer fonksiyonlar (çalışma çevrimi, frekans genliği, pulse frekansı vb.) seçilebilir hale gelecektir. Pulse fonksiyonu sayesinde malzemeye ısı girdisi düşürülerek deformasyon azaltılır.

4- HF Modu Seçimi



Butona bir kez basılarak açık ya da kapalı konuma getirilir. İlgili fonksiyonun ledi yandığında aktif olacaktır.

Yüksek Frekans

- TIG kaynağında , Tungsten elektrodu malzemeye deđdirmeden kaynağı başlama sağlar. Bu sayede tungsten elektrodun ucu bozulmaz.
- TIG modunda aktiftir.
- Eğer makinedeki HF modunu kapatıp lifttig ile kaynak yapmak istiyorsanız HF tuşuna basıp aktif olan HF'i kapatabilirsiniz.

5- Ayar Düğmesi





Ayar düğmesi ile tüm kaynak yöntemlerinde akım ayarı ve tüm fonksiyonlarda parametre deđişimi sağlanır. Sağa sola çevrilerek ayar yapılır ve ayarlanan deđerler dijital ekranda izlenir.

6- Kaynak Yöntem Seçimi



Dokunmatik yapıya sahip buton ile elektrod ve TIG kaynağı yöntemleri arasında seçim yapabilirsiniz. Hangi kaynak yöntemi seçili ise o yönteme ait led yanacaktır.

	Rutil, Bazik Elektrodlar ile kaynak yapılma imkanı sunar.
	DC TIG kaynağı imkanı sunar.

7- Program Hafızası



TIG Modunda;

- 10 adet hafıza özelliği ile parametre ayarlarınızı kaydedebilir, işinizin tipine göre geri çağırabilirsiniz. Bu sayede her iş değiştirdiğinizde parametre ayarı yapmak zorunda kalmaz, üretim standardı korunmuş olur. Hangi hafıza (job) numarası seçildi ise, yapılan tüm ayarlar o numarada otomatik olarak kaydedilir.
- Farklı parametre kaydı için program numarasını değiştiriniz.
- Program butonunun üstünde bulunan ekran hangi programda parametre değiştirdiğinizi gösterir.
- 0-9 arası 10 adet program vardır.
- Program butonuna birkez basarak diğer programa geçebilirsiniz, eğer basılı tutarsanız hızlı bir şekilde programlar arası ilerleyebilirsiniz.

Elektrod Modunda;

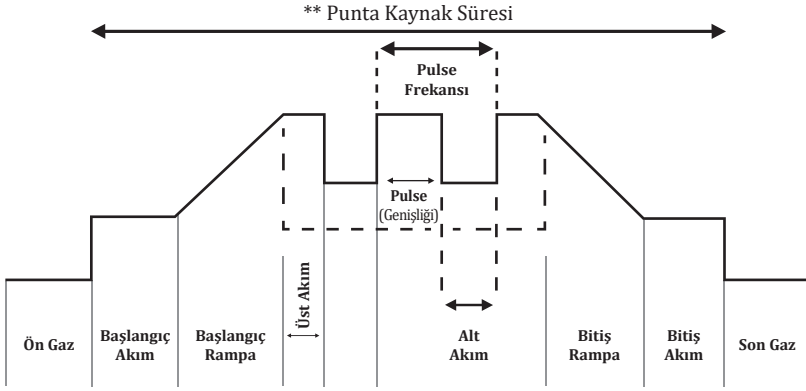
- Akım değeri ayarlanırken "A", kaynak çıkış voltajında ise "U" değerini görürsünüz. Dijital panelde kaynak çıkış voltajını görmek istediğinizde birkez butona basarak voltaj birimini, tekrar butona basarak amper birimini görebilirsiniz.

8- Dijital Gösterge



Ayarlanan kaynak akımı, parametre değerleri ve hata kodları dijital ekran sayesinde görsel olarak izlenebilir.

3.2 TIG Eğrisi



Fonksiyonların modlara göre açık veya kapalı olma durumları aşağıdaki tablodaki gibidir:

Parametre	MonoTIG 165ip	Fabrika Ayarı	2 Konumu TIG		4 Konumu TIG		Punta TIG	
			DC	PULSE	DC	PULSE	DC	PULSE
Ön Gaz Süresi	0 - 20 sn.	1 sn.	✓	✓	✓	✓		
Başlangıç Akımı	5A - %100	%70	✓	✓	✓	✓		
Başlangıç Rampa Süresi	0.0 - 10 sn.	1 sn.	✓	✓	✓	✓		
Üst Akım	5 - 160 A	85 A	✓	✓	✓	✓	✓	✓
Alt Akım	5A - %100	40 A		✓	✓	✓		✓
Pulse Çevrim Oranı	%1 - %99	%50		✓		✓		✓
Pulse Frekansı	0.1 - 2000 Hz	5 Hz		✓		✓		✓
Bitiş Rampa Süresi	0.0 - 10 sn.	1 sn.	✓	✓	✓	✓		
Bitiş Akımı	3A - %100	%30	✓	✓	✓	✓		
Son Gaz Süresi	0 - 20 sn.	5 sn.	✓	✓	✓	✓		
Punta Kaynak Süresi	0.01 - 9 sn.	2 sn.					✓	✓

3.3 Makine Özellikleri

Termik Koruma

- Makinenizin aşırı ısınıp zarar görmesini engellemek amaçlı termik korumaya sahiptir.
- Igbt bloğu 75 derece üstüne çıkarsa ekranda hata kodu görülür.

Program Hafızası

- 10 adet program hafızası mevcuttur. 0-9 arasında 10 adet program kaydı yapabilirsiniz.
- Yapılan değişiklikler kaydedilir. P tuşu ile programlar arasında geçiş yapılır.

Lift TIG

- Lift TIG fonksiyonu ile Tungsten ucunu bozmadan sürterek TIG yapılması imkanı sunar.

Volta j Koruma

- Volta j dalgalanmalarını tolere eder.
- Yanlış volta j, salınlı giriş volta jlarına karşı koruma özelliği vardır.
- Ortam koşullarının normale dönmesi sonrası makine fonksiyonları da devreye girer.

Jeneratörlerle Çalışma

- Jeneratörlerle çalışmaya uygundur. Kaç kVA ile çalışacağı teknik özelliklere bakılarak belirlenmelidir.

Antistick

- Elektrodun yapışmasını önlemek için Antistick özelliği vardır.

3.4 Tüketim Bilgileri

Aşağıdaki tabloda ideal koşullar için kaynak sırasında ortalama tüketim değerleri gösterilmektedir. Kullanım ve ortam koşullarına göre farklılık gösterebilir.

TIG Kaynağı Sırasında Ortalama Koruyucu Gaz Tüketimi

Seramik Nozul No.	4	5	6	7	8	10
Ortalama Tüketim	6,5 l/dak.	8 l/dak.	10 l/dak.	12 l/dak.	12,5 l/dak.	15,5 l/dak.



BAKIM VE ARIZA BİLGİLERİ

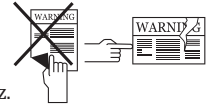
- Makineye yapılacak bakım ve onarımların mutlaka yetkin kişiler tarafından yapılması gerekmektedir. Yetkisiz kişiler tarafından yapılacak müdahaleler sonucu oluşacak kazalardan firmamız sorumlu değildir.
- Onarım esnasında kullanılacak parçaları yetkili servislerimizden temin edebilirsiniz. Orjinal yedek parça kullanımı makinenizin ömrünü uzatacağı gibi performans kayıplarını engeller.
- Her zaman üreticiye veya üretici tarafından belirtilen yetkili bir servise başvurun.
- Garanti süresi içerisinde üretici tarafından yetkilendirilmemiş herhangi bir girişimde tüm garanti hükümleri geçersiz olacaktır.
- Geçerli güvenlik kurallarına bakım onarım işlemleri sırasında mutlaka uyunuz.
- Tamir için makinenin herhangi bir işlem yapılmadan önce, makinenin elektrik fişini şebekeden ayırınız ve kondansatörlerin boşalması için 10 saniye bekleyiniz.

4.1 Bakım



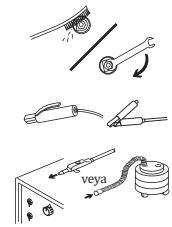
Günlük Bakım

- Torcun, penselerin ve kablolarınızın kontrolünü yapınız. Parçaların bağlantılarına ve sağlamlığına dikkat ediniz. Hasar görmüş / arızalı parçaları yenisi ile değiştiriniz. Kablolara ek / onarım kesinlikle yapmayınız.
- Havalandırma için yeterli alan olduğuna emin olunuz.
- TIG torcu üzerindeki sarf malzemeler düzenli olarak temizlenmelidir. Eğer gerekiyorsa değiştirilmelidir. Bu malzemelerin uzun süreli kullanılması için orjinal ürünler olmasına dikkat edilmelidir.
- Kaynağa başlamadan önce torcun ucundan çıkan gaz debisini debimetre ile kontrol ediniz. Gazın debisi yüksek veya düşük ise yapılacak kaynağa uygun seviyeye getiriniz.
- Soğutma sıvı seviyesini kontrol ediniz, soğutma sıvı seviyesinde azalma varsa tamamlayınız. Soğutma sıvısında kirlenme varsa tüm depoyu boşaltıp, soğutma sıvısı deposunu temizleyiniz. Depoyu yeni soğutma sıvısı ile doldurunuz.



6 Ayda Bir

- Cihaz üzerindeki uyarı etiketlerini sökmeyiniz. Yıpranmış / yırtılmış etiketleri yenisi ile değiştiriniz. Etiketleri yetkili servisten temin edebilirsiniz.
- Civata, somun gibi birleştirici parçaları temizleyiniz ve sıkıştırınız.
- Elektrod pensesi ve toprak pensesi kablolarını kontrol ediniz.
- Makinenin yan kapaklarını açarak düşük basınçlı kuru hava ile temizleyiniz. Elektronik parçalara yakın mesafeden basınçlı hava uygulamayınız.
- Makinenin elektrik besleme fişinin bağlandığı prizi kontrol ediniz. Prizin enerji kablosu bağlantı noktalarında gevşeklik var ise gideriniz. Prizin yuvalarında ark veya genişleme var ise yenisi ile değiştiriniz.
- Makinenin elektrik besleme fişini kontrol ediniz. Elektrik fişinin içindeki kablo bağlantı noktalarında gevşeklik var ise gideriniz. Fişin uçlarında ark veya deformasyon var ise yenisi ile değiştiriniz.



NOT: Yukarıda belirtilen süreler, cihazınızda hiçbir sorunla karşılaşılması durumunda uygulanması gereken maksimum periyotlardır. Çalışma ortamınızın yoğunluğuna ve kirliliğine göre yukarıda belirtilen işlemleri daha sık aralıklarla tekrarlayabilirsiniz.



Asla kaynak makinesinin kapakları açıkken kaynak yapmayın.

4.2 Hata Giderme

Aşağıdaki tablolarda karşılaşılan olası hatalar ve çözüm önerileri bulunmaktadır.

Hata	Çözüm
Makine hiç açılmıyor	<ul style="list-style-type: none"> • Makineye bağlı elektrik olduğundan emin olunuz • Şebeke bağlantılarının doğru olduğunu kontrol ediniz • Şebeke beslenme sigortalarını, şebeke kablosunu ve fişini kontrol ediniz • Açma / Kapama anahtarını kontrol ediniz • Tüm kontrolleri yaptığınız halde sorun devam ediyor ise yetkili servis ile iletişime geçiniz
Makine kaynak yapmıyor / kötü kaynak yapıyor	<ul style="list-style-type: none"> • Makinenin topraklama pensesinin iş parçasına bağlı olduğundan emin olunuz • Kabloların sağlamlığından ve bağlantı noktalarının aşınmaması olduğundan emin olunuz • Parametre ve proses seçiminin doğru olduğundan emin olunuz • Seçtiğiniz prosese göre aşağıdaki adımları uygulayınız • Elektrodun bağlı olması gereken kutbu ve makinede ayarlanması gereken akım değerini kontrol ediniz • Gaz akışının açık olduğunu kontrol ediniz, akışın doğru olduğundan emin olunuz • Tungsten ucun temiz olduğundan emin olunuz • Kaynak torcunun sağlamlığından emin olunuz • Tüm kontrolleri yaptığınız halde sorun devam ediyor ise yetkili servis ile iletişime geçiniz
Tungsten eriyor veya nozul kırılıyor	<ul style="list-style-type: none"> • TIG torcunun (-) kutba bağlı olup olmadığını kontrol ediniz. Torç (-) kutba bağlı değil ise bağlayınız • Tüm kontrolleri yaptığınız halde sorun devam ediyor ise yetkili servis ile iletişime geçiniz
TIG kaynağında köpürme veya kararma yapıyor	<ul style="list-style-type: none"> • Torcun ucundan çıkan gazın debisini debimetre ile kontrol ediniz • Kaynak yapılan parçanın yüzeyi kirli ise parçanın yüzeyini temizleyiniz • Doğru kaynak gazı kullandığınızdan emin olunuz • Doğru tungsten elektrot seçtiğinizden emin olunuz • Tüm kontrolleri yaptığınız halde sorun devam ediyor ise yetkili servis ile iletişime geçiniz
HF (Yüksek Frekans) oluşuyor fakat kaynağa zor başlıyor	<ul style="list-style-type: none"> • Başlangıç akımını kontrol ediniz. Başlangıç akımı çok düşük ise arttırınız • Tüm kontrolleri yaptığınız halde sorun devam ediyor ise yetkili servis ile iletişime geçiniz
HF (Yüksek Frekans) oluşuyor kaynağa başlamıyor	<ul style="list-style-type: none"> • TIG torcunun (-) kutba bağlı olup olmadığını kontrol ediniz. Torç (-) kutba bağlı değil ise bağlayınız • Topraklama pensesinin iş parçasına bağlı olup olmadığını kontrol ediniz • Tüm kontrolleri yaptığınız halde sorun devam ediyor ise yetkili servis ile iletişime geçiniz
HF (Yüksek Frekans) atlamıyor	<ul style="list-style-type: none"> • Ön gaz süresini kontrol ediniz. Ön gaz süresi çok yüksek ise azaltınız • Tüm kontrolleri yaptığınız halde sorun devam ediyor ise yetkili servis ile iletişime geçiniz
Su soğutma ünitesinde sıvı sızıntısı var	<ul style="list-style-type: none"> • Yetkili servis ile iletişime geçiniz
Su soğutma ünitesinde sıvı akışı yok	<ul style="list-style-type: none"> • Yetkili servis ile iletişime geçiniz

4.3 Hata Kodları

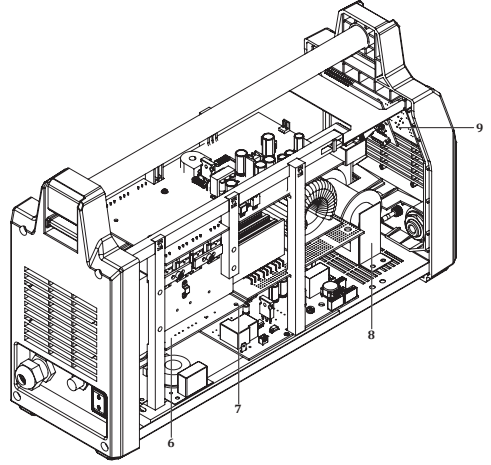
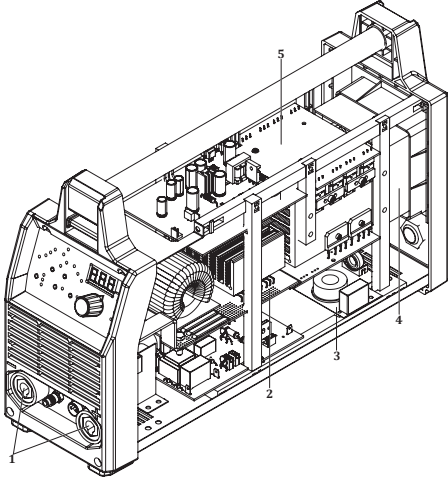
Aşağıda tüm makinelere ait tüm hata kodları bulunmaktadır. Kendi makinemiz ile ilgili hata kodlarını dikkate alınız.

Hata Kodu	Hata	Neden	Çözüm
E01	Termal Koruma (Birincil)	<ul style="list-style-type: none"> Makinenizin devrede kalma oranı aşımış olabilir 	<ul style="list-style-type: none"> Bir süre bekleyerek makinenin soğumasını sağlayınız. Arıza ortadan kalkıyor ise daha düşük amper değerlerinde kullanmaya çalışınız Sorun devam ediyorsa yetkili servis ile iletişime geçiniz
		<ul style="list-style-type: none"> Fan çalışmıyor olabilir 	<ul style="list-style-type: none"> Fanın çalışıp çalışmadığını göz ile kontrol ediniz Sorun devam ediyorsa yetkili servis ile iletişime geçiniz
		<ul style="list-style-type: none"> Hava giriş-çıkış kanallarının önü kapanmış olabilir 	<ul style="list-style-type: none"> Hava kanallarının önünü açınız Sorun devam ediyorsa yetkili servis ile iletişime geçiniz
		<ul style="list-style-type: none"> Makine çalışma ortamı aşırı sıcak ya da havasız olabilir 	<ul style="list-style-type: none"> Makine çalışma ortamının aşırı sıcak ya da havasız olmadığından emin olunuz Sorun devam ediyorsa yetkili servis ile iletişime geçiniz
E02	Şebeke Voltajı Düşük	<ul style="list-style-type: none"> Şebeke voltajı düşmüş olabilir 	<ul style="list-style-type: none"> Şebeke bağlantı kablolarını ve voltajını kontrol ediniz. Doğru voltaj girişi sağlandığından emin olunuz. Şebeke voltajı normal ise yetkili servis ile iletişime geçiniz
E03	Şebeke Voltajı Yüksek	<ul style="list-style-type: none"> Şebeke voltajı yükselmiş olabilir 	<ul style="list-style-type: none"> Şebeke bağlantı kablolarını ve voltajını kontrol ediniz. Doğru voltaj girişi sağlandığından emin olunuz. Şebeke voltajı normal ise yetkili servis ile iletişime geçiniz
E04	Akım / Voltaj Okuma Hatası	<ul style="list-style-type: none"> Donanımsal hata olabilir 	<ul style="list-style-type: none"> Yetkili servis ile iletişime geçiniz
E05	Sıcaklık Sensörü Okuma Hatası	<ul style="list-style-type: none"> Donanımsal hata olabilir 	<ul style="list-style-type: none"> Yetkili servis ile iletişime geçiniz
E06	Su Soğutma Ünitesi Hatası	<ul style="list-style-type: none"> Su soğutma ünitesinde hata olabilir 	<ul style="list-style-type: none"> Su soğutma ünitesi konektörü ve torç giriş / çıkışlarını kontrol edin Su sirkülasyonun sağlandığından emin olun Sorun devam ediyorsa yetkili servis ile iletişime geçiniz
E07	Sistem Hatası	<ul style="list-style-type: none"> Donanımsal hata olabilir 	<ul style="list-style-type: none"> Yetkili servis ile iletişime geçiniz
E08			
E09			
E10	Torç Bağlantı Hatası	<ul style="list-style-type: none"> Torçta ve torç bağlantılarında hata olabilir 	<ul style="list-style-type: none"> Torç ve torç bağlantılarını kontrol edin Sorun devam ediyorsa yetkili servis ile iletişime geçiniz
E11	Sistem Hatası	<ul style="list-style-type: none"> Donanımsal hata olabilir 	<ul style="list-style-type: none"> Yetkili servis ile iletişime geçiniz
E12			
E13	Tel Sürme Ünitesi Hatası	<ul style="list-style-type: none"> Tel sürmede hata olabilir 	<ul style="list-style-type: none"> Tel sepeti, makara / makara baskısı ve torç bağlantılarını kontrol edin Sorun devam ediyorsa yetkili servis ile iletişime geçiniz

Hata Kodu	Hata	Neden	Çözüm
E14	Sistem Hatası	• Donanımsal hata olabilir	• Yetkili servis ile iletişime geçiniz
E15	Uzaktan Kumanda Haberleşme Hatası	• Uzaktan kumanda bağlantılarında hata olabilir	• Uzaktan kumanda bağlantılarını kontrol edin • Sorun devam ediyorsa yetkili servis ile iletişime geçiniz
E16	Sistem Hatası	• Donanımsal hata olabilir	• Yetkili servis ile iletişime geçiniz
E17			
E18			
E19			
E20	Sistem Hatası	• Donanımsal hata olabilir	• Yetkili servis ile iletişime geçiniz
E21			
E22			
E23			
E26	Giriş Basıncı Düşük	• Giriş basıncı düşük olabilir	• Hava / gaz bağlantılarınızı kontrol ediniz giriş basıncının uygun olduğundan emin olunuz giriş basıncı normal ise yetkili servis ile iletişime geçiniz
E27	Torç Muhafazası Takılı Değil	• Torç muhafazası takılmamış, yerine oturmamış olabilir	• Torç muhafazasının doğru şekilde takıldığından emin olunuz • Sorun devam ediyorsa yetkili servis ile iletişime geçiniz
E28	Sistem Hatası	• Donanımsal hata olabilir	• Yetkili servis ile iletişime geçiniz
E29	DC Bara Voltajı Düşük	• Şebeke voltajı düşmüş olabilir	• Şebeke bağlantı kablolarını ve voltajını kontrol ediniz. Doğru voltaj girişi sağlandığından emin olunuz. Şebeke voltajı normal ise yetkili servis ile iletişime geçiniz
E30	DC Bara Voltajı Yüksek	• Şebeke voltajı yükselmiş olabilir	• Şebeke bağlantı kablolarını ve voltajını kontrol ediniz. Doğru voltaj girişi sağlandığından emin olunuz. Şebeke voltajı normal ise yetkili servis ile iletişime geçiniz
E31	Sistem Hatası	• Donanımsal hata olabilir	• Yetkili servis ile iletişime geçiniz

EKLER

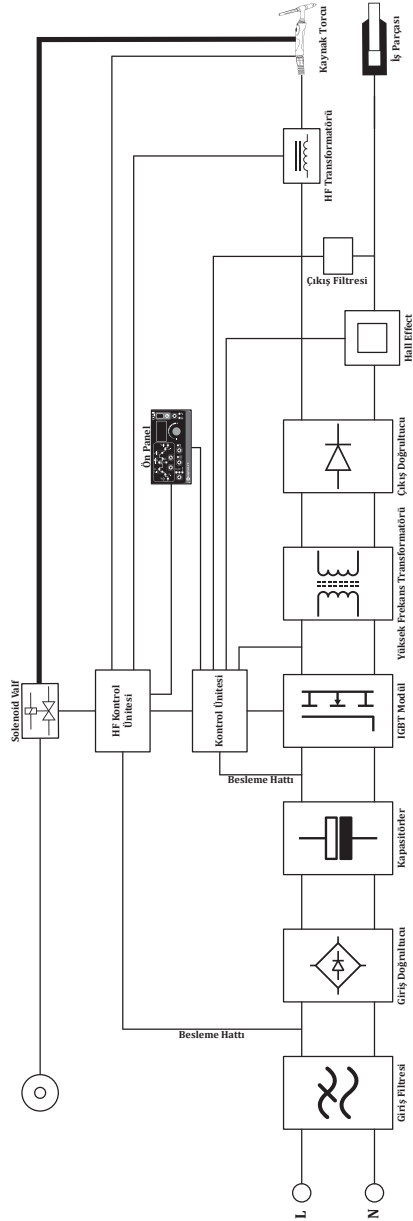
5.1 Yedek Parça Listesi



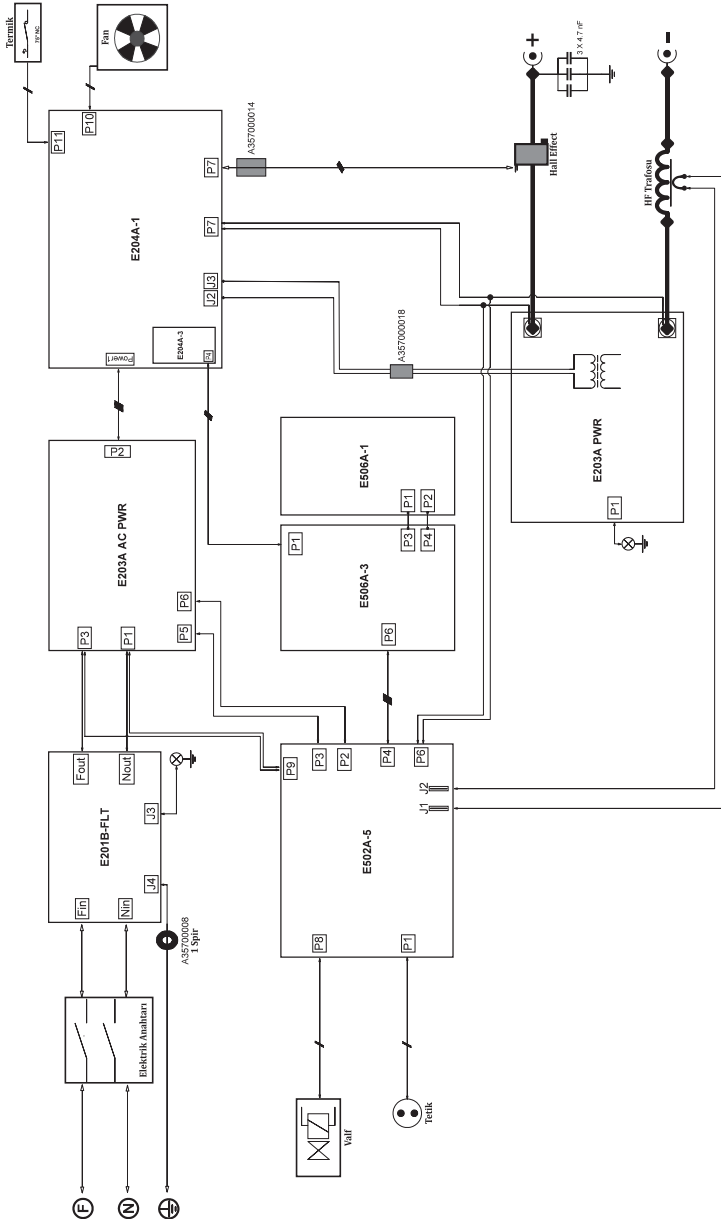
NO	TANIM	monoTIG 165ip
1	Kaynak Prizi	A377900104
2	Elektronik Kart E203A PWR/200TIG	K405000176
3	Elektronik Kart E201B-FLT TIG	K405000295
4	Kompakt Fan	A250200026
5	Elektronik Kart M.TIG 2001 E204A-GR	K405000191
6	Elektronik Kart E203A AC PWR	K405000226
7	Elektronik Kart E505A-3	K405000185
8	HF Trafosu	A490900023
9	Elektronik Kart E506A-1,3	Y524000046
	Hall Effekt Sensör	A830900004

5.2 Bağlantı Şemaları

Blok Diyagram



Devre Şeması



MALIN**Modeli****Seri Numarası****İMALATÇI / İTHALATÇI FİRMANIN****Ünvanı**

MAGMA MEKATRONİK MAKİNE SANAYİ VE TİCARET A.Ş.

Adresi

Organize Sanayi Bölgesi 5. Kısım MANİSA

Telefonu / E - Postası

+90 236 226 27 00 / info@magmaweld.com

SATICI FİRMANIN**Ünvanı****Adresi****Telefonu / E-Postası****Fatura Tarihi ve No.****ALICININ****Ünvanı****Adresi****Telefonu / E - Postası****Teslim Alanın Adı Soyadı****KURULUMU YAPAN SERVİSİN****Ünvanı****Teknisyenin Adı Soyadı****Devreye Alma Tarihi**
(Garanti Başlama Tarihi)

Garanti Şartları için www.magmaweld.com.tr/garanti-sartlari/wt web sitemizi ziyaret ediniz.

EU-DECLARATION OF CONFORMITY / AB UYGUNLUK BEYANI

We hereby declare that the declaration of conformity is issued under our sole responsibility and belongs to the following product: / Bu belgede aşağıdaki ürünün kendi sorumluluğunda olduğunu onaylar:

Product brand / Ürün markası : MAGMAWELD

Product designation / Ürün adı : MONOTIG 165ip

The object of the declaration is in conformity with the relevant directives and standards: / Bu beyan ile ilişkili olarak, aşağıdaki yönetmelikleri veya normları yerine getirir:

Directives / Yönetmelikler

RoHS : 2011/65/EU

ErP Directive / ErP yönetmeliği : (EU) 2019/1784

LVD Directive / LVD yönetmeliği : 2014/35/EU

EMC Directive / yönetmeliği : 2014/30/EU

Standards / Standartlar

LVD standard /LVD standardı : EN IEC 60974-1:2022

EMC standard / EMC standardı : EN IEC 60974-10:2021

Signed on behalf of / Adına imzalandı : Magma Mekatronik Makine Sanayi ve Ticaret. A.Ş. Fabrika
MOSB, 5. Kısım 45030 Manisa, Türkiye

Date / Zaman : Mar-2024 / Mart-2024

Name&Signature / İsim&İmza : Barış Özgür Tuğgan
R&D Manager





YETKİLİ SERVİSLER

MERKEZ SERVİS

Organize Sanayi Bölgesi, 5. Kısım 45030 MANİSA

Telefon : 444 93 53

E-Posta : info@magmaweld.com

YETKİLİ SERVİSLER



Güncel servis listemiz için www.magmaweld.com.tr/servis-listesi web sitemizi ziyaret ediniz.

Magma Mekatronik Makine Sanayi ve Ticaret A.Ş.
Organize Sanayi Bölgesi, 5. Kısım 45030 Manisa, TÜRKİYE

01.01.2025
UM_MONOTP165_112022_012025_003_136



(+90) 444 93 53
magmaweld.com
info@magmaweld.com